



ASSEMBLY INSTRUCTIONS

Description: Caroline Coffee Table






Important safety instructions:

- Please read carefully all instructions before assembly.
- For your safety and ease, assembly by two or more adults is recommended.
- Keep instructions for future use.






Pre-assembly:

- Do not discard any content until assembly is complete to avoid accidentally discarding small parts or hardware.
- Take out all parts and hardware from box.

Parts List

Item	Description	QTY
P1	Glass Top 	1
P2	Shelf 	1
P3	Long Leg Frame 	1
P4	Short Leg Frame 	2
P5	Connecting Metal Plate 	2





Hardware List

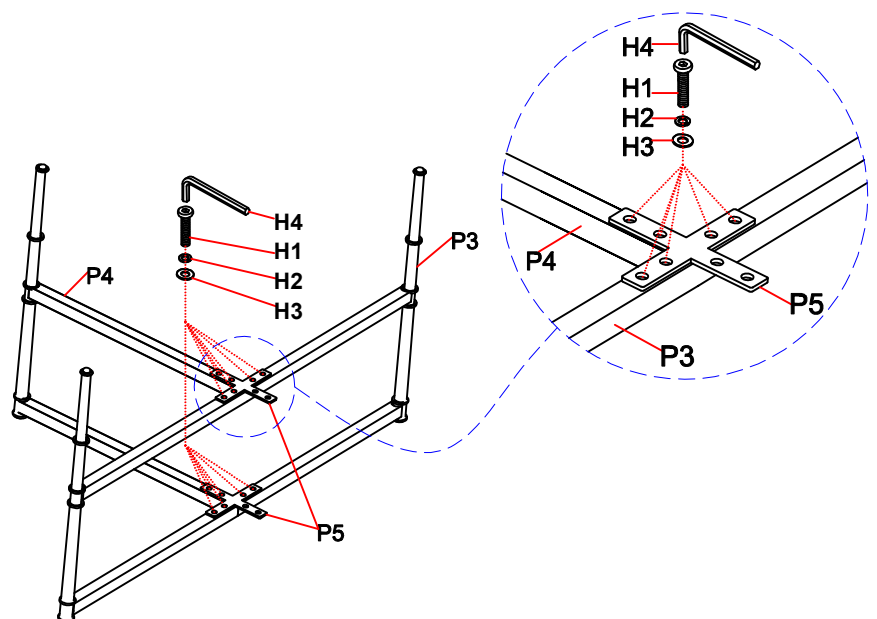
Item	Description	QTY
H1	Bolts 1/4"x 3/5" 	16
H2	Lock Washers 1/4" 	16
H3	Flat Washers 1/4" *16*1.5mm 	16
H4	Allen Wrench(60*25*4mm) 	1
H5	White self-adhesive gasket (Φ10*2mm) 	10

DISCLAIMER:





WHEN PROPERLY ASSEMBLED, THIS ITEM IS SAFE FOR INTENDED USE. SELLER IS NOT LIABLE FOR ANY DAMAGES RESULTING FROM ITEM BEING IMPROPERLY ASSEMBLED AFTER PURCHASE.

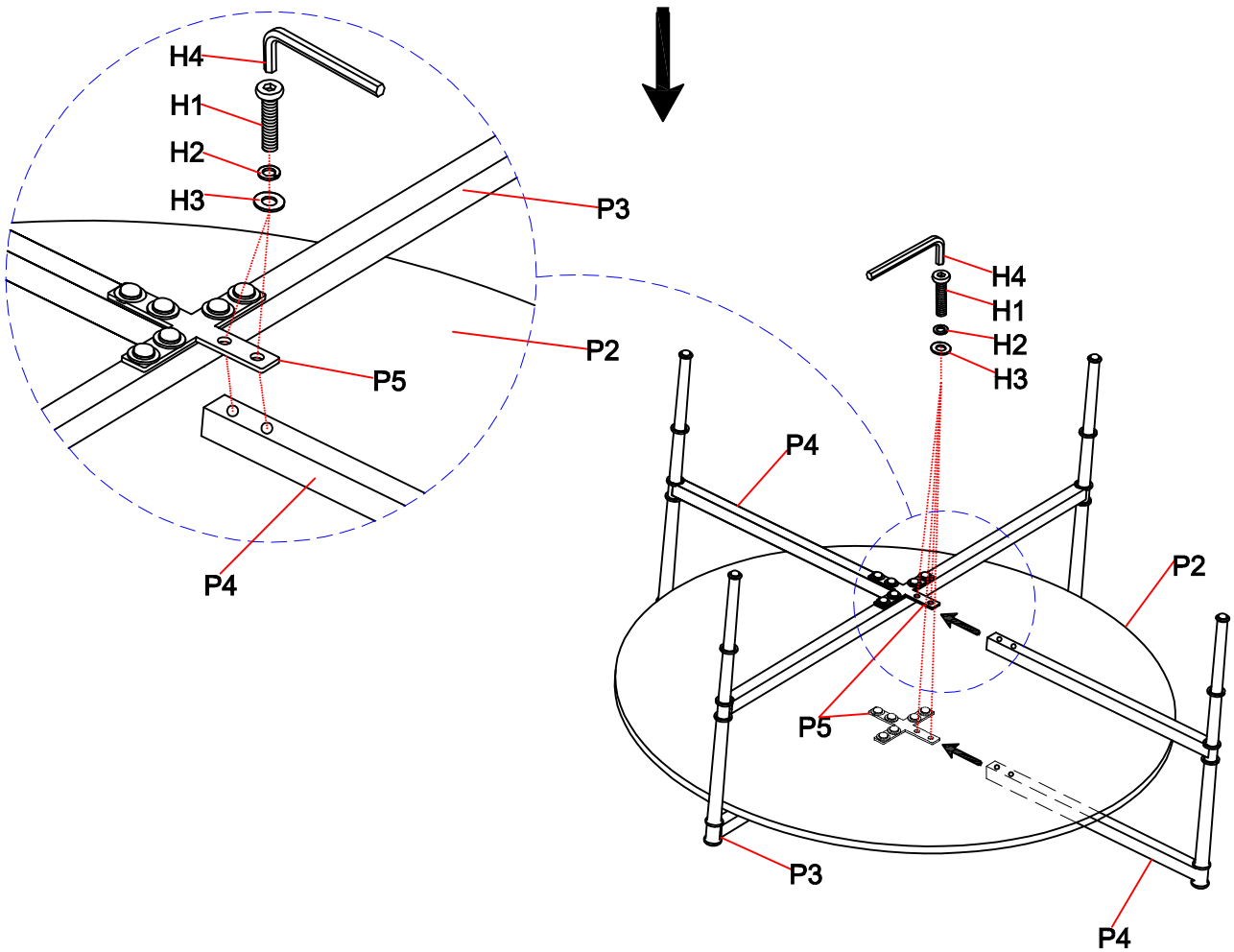
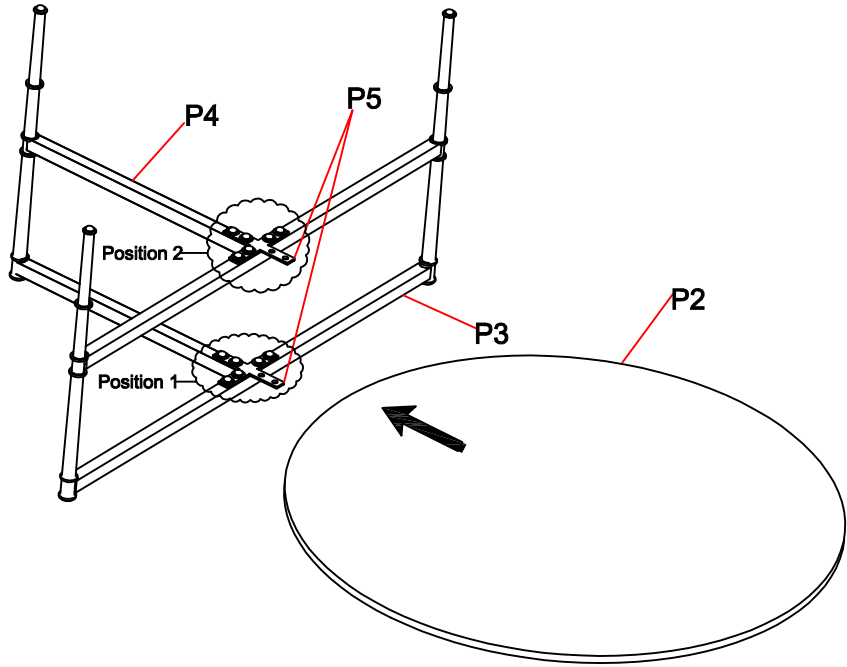
Step 1: Assemble the table on a flat and soft surface either on a carpet or cloth to prevent the finishing from scratching. Assemble Connecting Metal Plate (P5) to Long Leg Frame (P3) and 1PC Short Leg Frame (P4) as shown below:

- (H1)x12 Bolts 1/4"x 3/5" 
- (H2)x12 Lock Washers 1/4" 
- (H3)x12 Flat Washers 1/4" 
- (H4)x1 Allen Wrench 



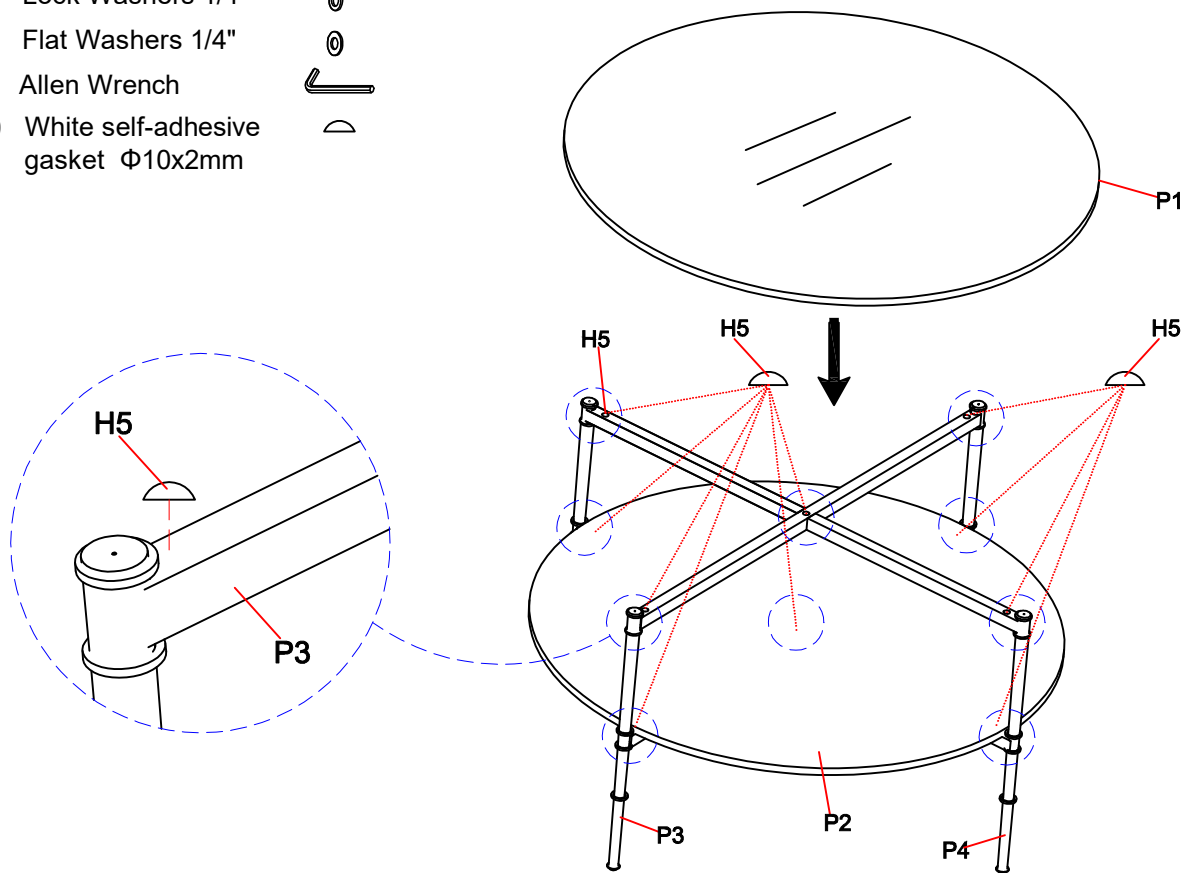
Step 2: Place a soft fabric or paper board at Position 1 to prevent the finishing from scratching and put the Shelf (P2) into this position (If Customer would like use Glass Top as a shelf, just replace the Glass Top with the shelf in this Step), then assemble the second Short Leg Frame (P4) to Connecting Metal Plate (P5) at Position 2 as shown below:

- (H1)x2 Bolts 1/4"x 3/5" 
- (H2)x2 Lock Washers 1/4" 
- (H3)x2 Flat Washers 1/4" 
- (H4)x1 Allen Wrench 

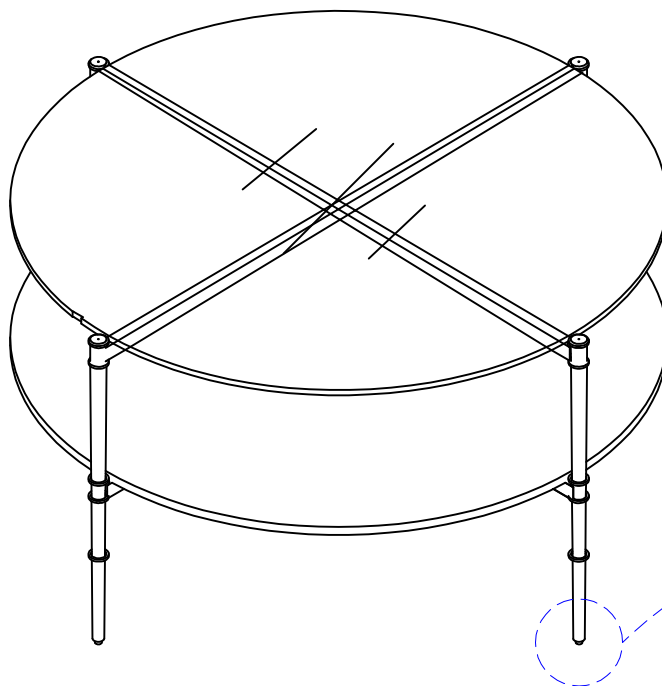


Step 3: Turn over the assembled frame (Assemble by two adults in this step), assemble the second Short Leg Frame (P4) to Connecting Metal Plate (P5) at Position 1 as shown in Step 2, attach white self-adhesive gasket (H5) to the frame as shown below and then put Glass Top (P1) on it.

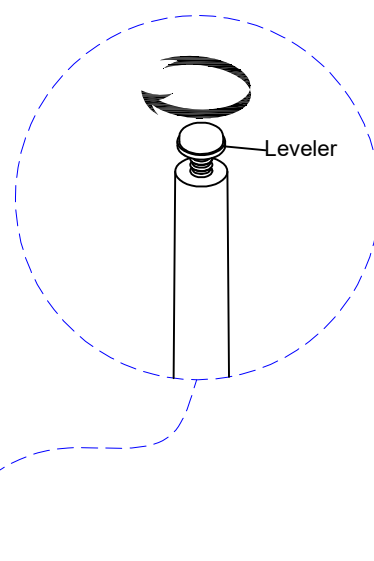
- (H1)x2 Bolts 1/4"x 3/5" 
- (H2)x2 Lock Washers 1/4" 
- (H3)x2 Flat Washers 1/4" 
- (H4)x1 Allen Wrench 
- (H5)x10 White self-adhesive gasket $\Phi 10 \times 2 \text{mm}$ 



Step 4: Assembly is now complete.



Note: Legs can be adjusted with adjustable levelers



ADDITIONAL NOTE ABOUT SAFETY: BOLTS MAY LOOSEN DURING NORMAL EVERYDAY USE. THEY SHOULD BE PERIODICALLY INSPECTED AND RE-TIGHTENED TO PREVENT DAMAGE OR INJURY. ALWAYS CHECK TO ENSURE THAT ALL HARDWARE IS KEPT TIGHTENED.

Thank you for your purchase