


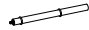






**Important safety instructions:**

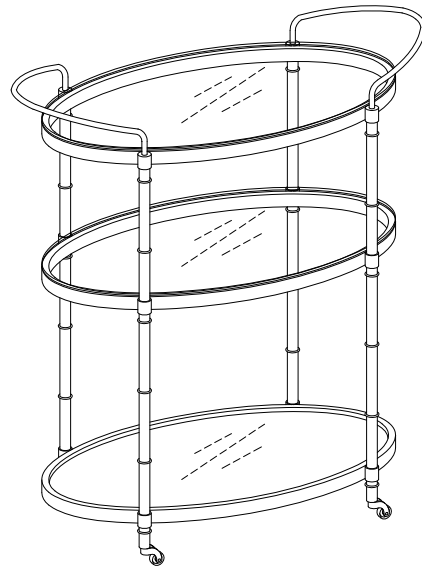
- Please read carefully all instructions before assembly.
- For your safety and ease, assembly by two or more adults is recommended.
- Keep instructions for future use.

**Pre-assembly:**


- Do not discard any content until assembly is complete to avoid accidentally discarding small parts or hardware.
- Take out all parts and hardware from box.

Parts List

Item	Description	QTY
P1	Top Frame 	1
P2	Short Post 	4
P3	Glass Shelf Frame with Label "For Glass" 	1
P4	Long Post 	4
P5	Mirror Shelf Frame with Label "For Mirror" 	1
P6	Feet 	4
P7	Glass Shelves 	2
P8	Bottom Mirror 	1



Hardware List

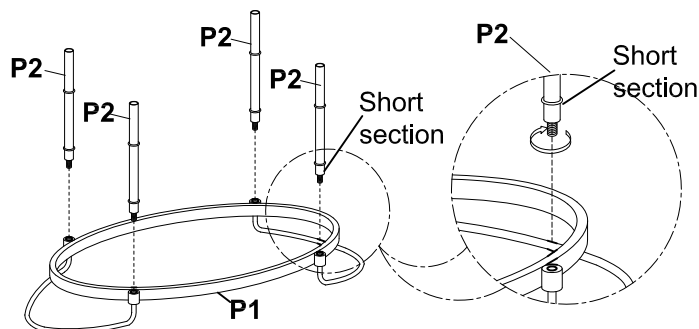
Item	Description	QTY
H1	Clear Plastic Pad 	12

**DISCLAIMER:**

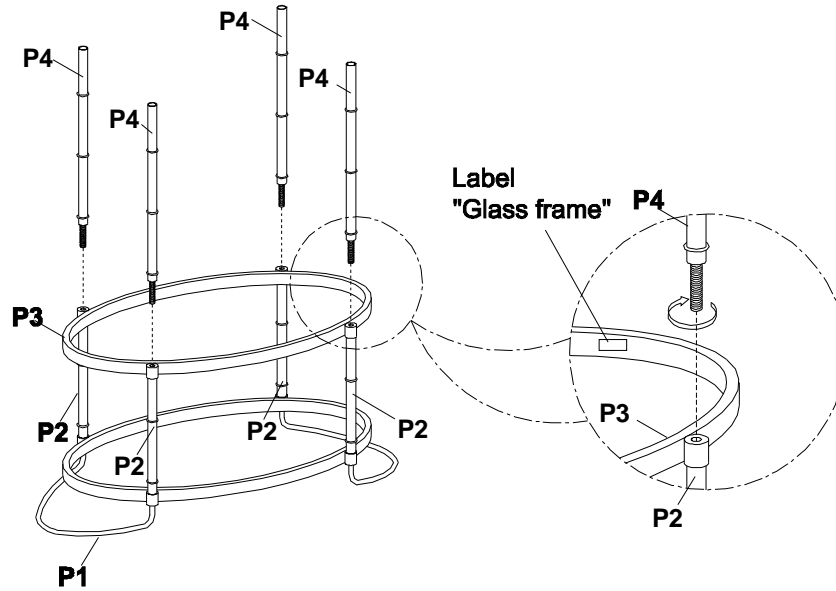
**WHEN PROPERLY ASSEMBLED, THIS ITEM IS SAFE FOR INTENDED USE. SELLER IS NOT LIABLE FOR ANY DAMAGES RESULTING FROM ITEM BEING IMPROPERLY ASSEMBLED AFTER PURCHASE.**

**Assembly Procedures:**

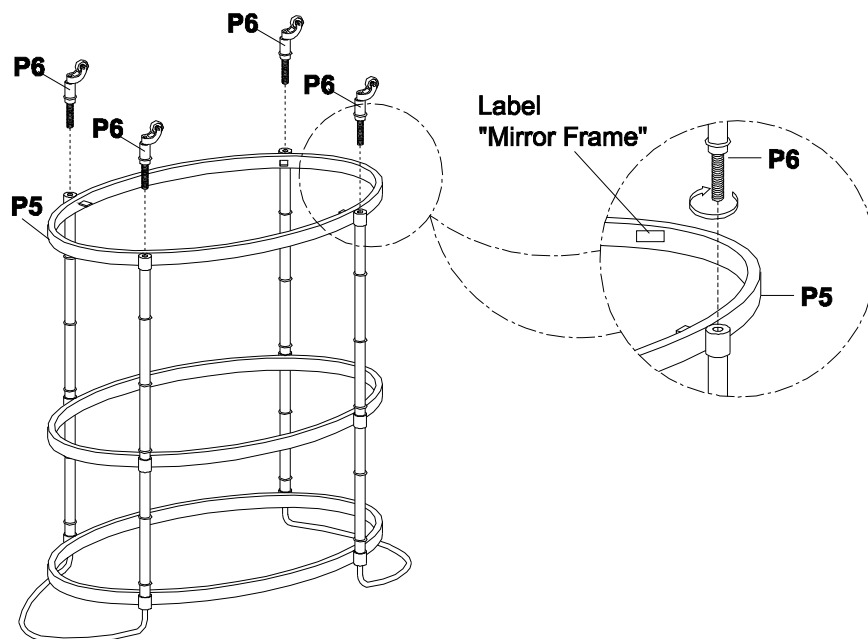
Step 1. Assemble the table on a flat, soft surface such as a carpet or cloth to prevent scratching the finish. Attach each post (P2) to the bottom of top frame (P1). **Note:** Make sure short section on the top of post (P2) is attached to the bottom of top frame (P1) as shown below. Securely tighten the posts (P2).



**Step 2.** Attach each long post (P4) to the short posts (P2) through the glass shelf frame (P3) following the label "Glass frame" on the shelf frame as shown below. Securely tighten the long posts (P4).



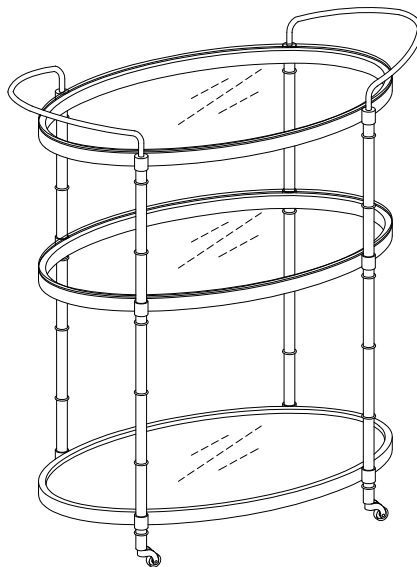
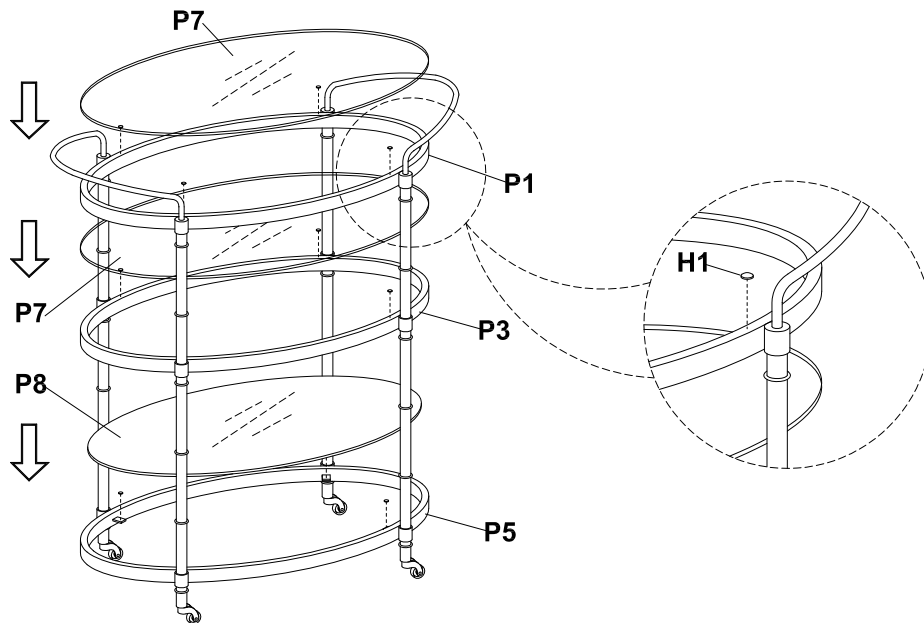
**Step 3.** Attach the feet (P6) to the long posts (P4) through the mirror shelf frame (P5) following the label "Mirror Frame" on the shelf frame as shown below. Securely tighten each foot (P6).



**Step 4.**

- 1) Turn the assembled bar cart to an upright position.
- 2) Place the clear plastic pad (H1) on each frame (P1,P3,P5) as shown below.
- 3) Gently lay the glasses (P7) on the top frame (P1) and glass shelf frame (P3), and lay bottom mirror (P8) on mirror shelf frame (P5) as shown below. Assembly is complete.

(H1)x12 Clear Plastic Pad 



**Caution:** Failure to follow these instructions may cause the bolts to misalign during assembly.

**ADDITIONAL NOTE ABOUT SAFETY:**

**BOLTS MAY LOOSEN DURING NORMAL EVERYDAY USE.**

**THEY SHOULD BE INSPECTED AT LEAST EVERY 3 MONTHS AND RE-TIGHTENED AS NEEDED TO PREVENT DAMAGE OR INJURY, AND ENSURE STABILITY.**

Thank you for your purchase