




**Description:** Lyle buffet






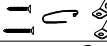
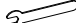
**Important safety instructions:**

- Please read carefully all instructions before assembly.
- For your safety and ease, assembly by two or more adults is recommended.
- Keep instructions for future use.
  
- Do not discard any content until assembly is complete to avoid accidentally discarding small parts or hardware.
- Take out all parts and hardware from box.

**Parts List**

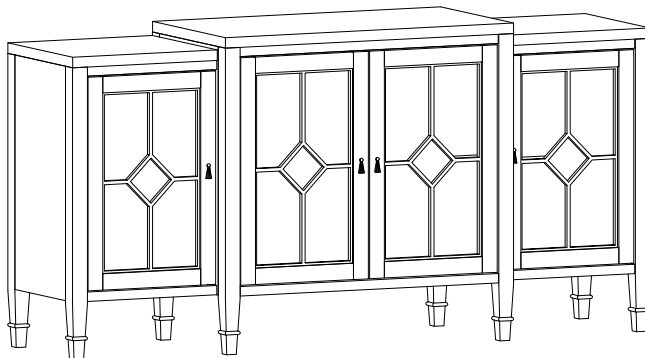
Item	Description		QTY
P1	Medium Buffet		1
P2	Left Side Buffet		1
P3	Right Side Buffet		1

**Hardware List**

Item	Description		QTY
H1	Bolts Ø5/16"x2-1/2"		8
H2	Lock Washers 5/16"		16
H3	Flat Washers 5/16"		16
H4	Nuts 5/16"		8
H5	Allen Wrench 5/16"		1
H6	Anti Tip Kit		1 SET
H7	Open Wrench		1

**DISCLAIMER:**

**WHEN PROPERLY ASSEMBLED, THIS ITEM IS SAFE FOR INTENDED USE. SELLER IS NOT LIABLE FOR ANY DAMAGES RESULTING FROM ITEM BEING IMPROPERLY ASSEMBLED AFTER PURCHASE.**

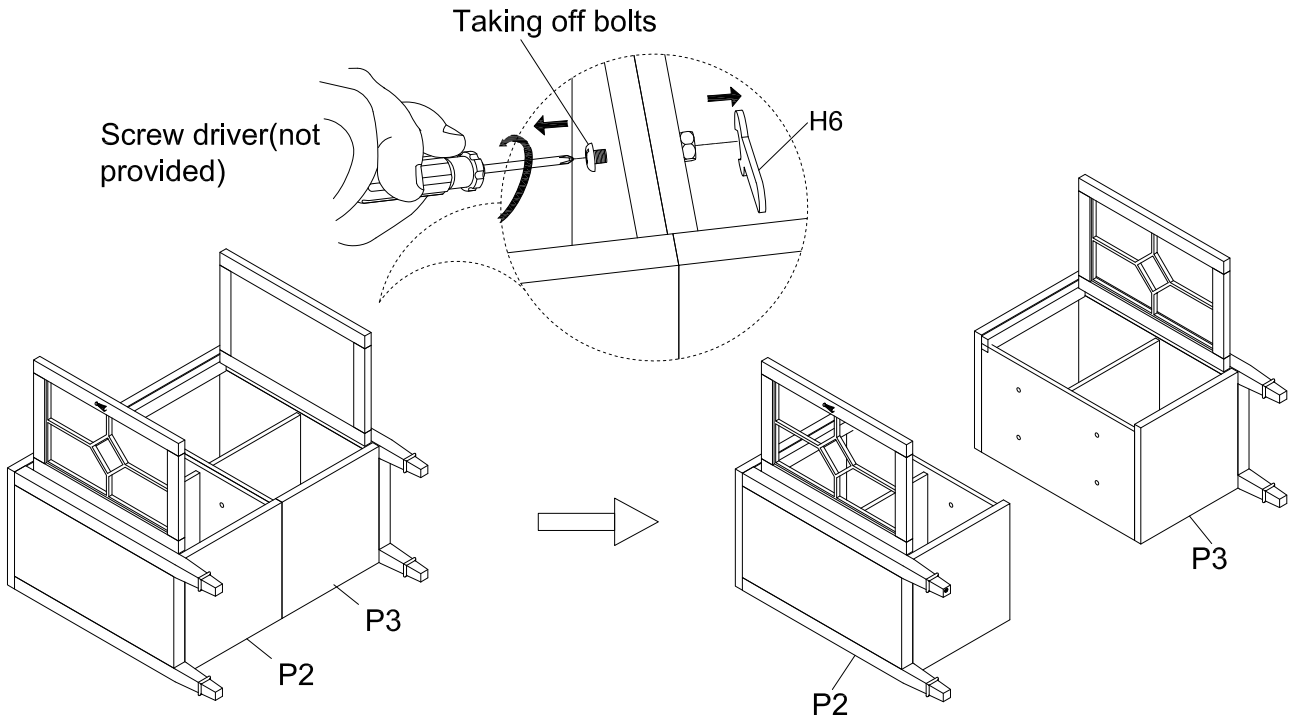


**Assembly Procedures:**

Step 1. Assemble the buffet on a flat, soft surface such as a carpet or cloth to prevent scratching the finish.

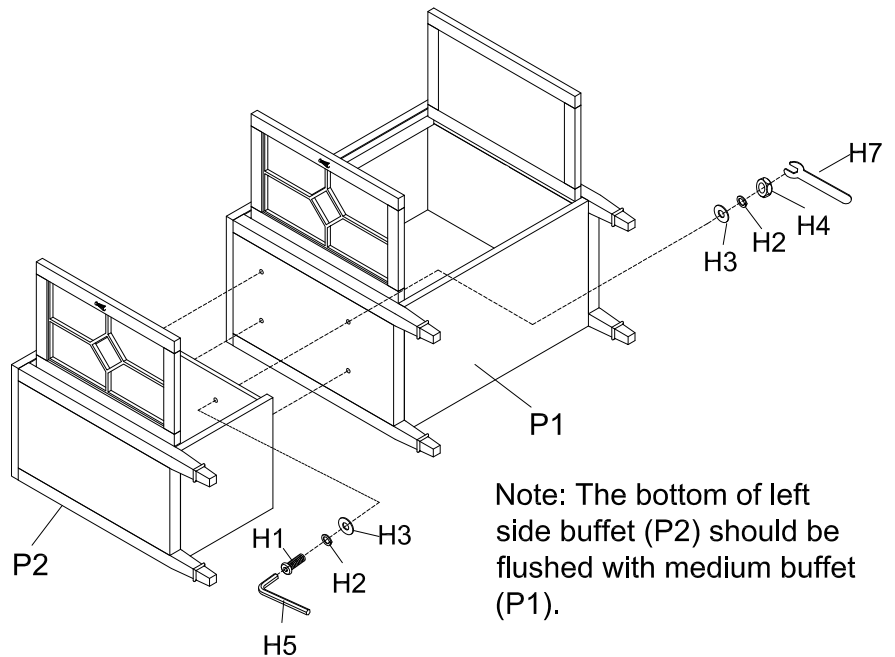
**Note: Please un-assemble side buffet "P2" and "P3" units before assembling to center unit.**

(H6)x1 Open Wrench 






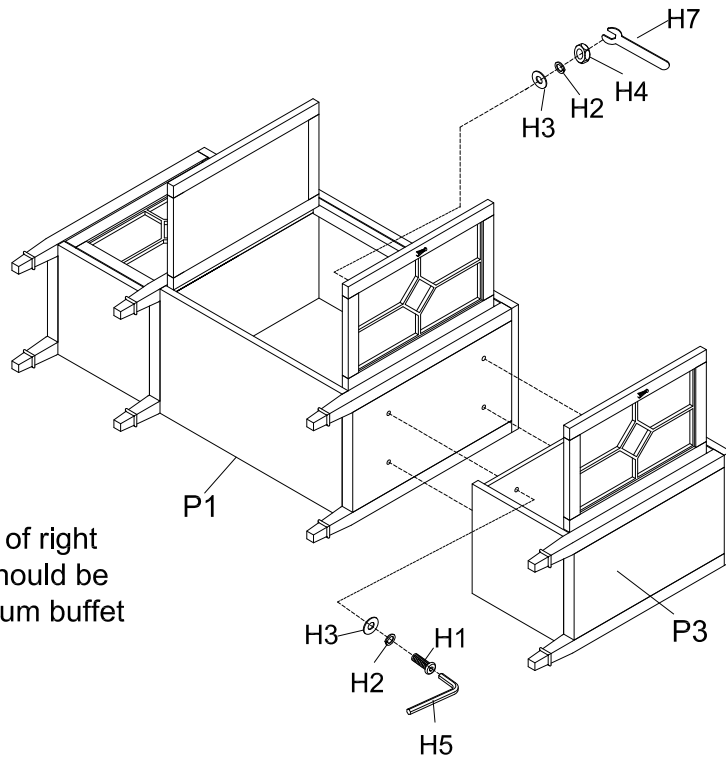
Step 2. Loosely attach the left side buffet (P2) to medium buffet (P1) using bolts (H1), lock washers (H2) and flat washers (H3) and nuts (H4) as shown below.

- (H1)x4 Bolts 
- (H2)x8 Lock Washers 
- (H3)x8 Flat Washers 
- (H4)x4 Nuts 
- (H5)x1 Allen Wrench 
- (H7)x1 Open Wrench 



Step 3. Attach the right side buffet (P3) to the medium buffet (P1) using bolts (H1), lock washers (H2) and flat washers (H3) and nuts (H4) as shown below.

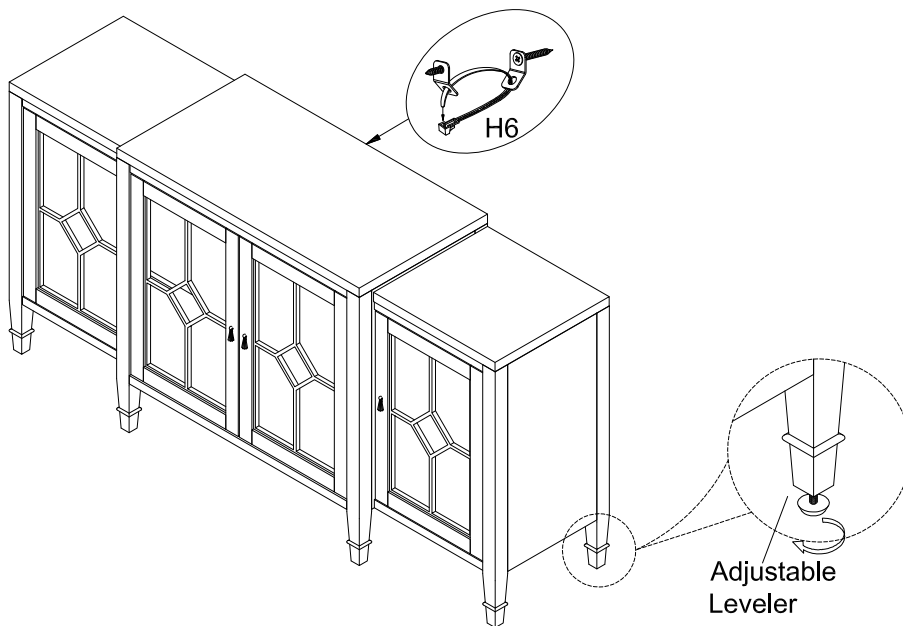
- (H1)x4 Bolts 
- (H2)x8 Lock Washers 
- (H3)x8 Flat Washers 
- (H4)x4 Nuts 
- (H5)x1 Allen Wrench 
- (H7)x1 Open Wrench 



Note: The bottom of right side buffet (P3) should be flushed with medium buffet (P1).

Step 4.

- 1) Securely tighten all the bolts with Allen wrench (H5). Then turn the assembled buffet to an upright position.
- 2) Leveler adjustment: Levelers are installed on the legs and adjust as needed to make sure the buffet is level. Assembly is complete. **Failure to follow these instructions may cause the bolts to misalign during assembly.**
- 3) **Recommend that you attach the products to your wall as a safety precaution.** Please see the other instructions "Furniture Safety Bracket Tip Resistant".



**ADDITIONAL NOTE ABOUT SAFETY: BOLTS MAY LOOSEN DURING NORMAL EVERYDAY USE. THEY SHOULD BE PERIODICALLY INSPECTED AND RE-TIGHTENED TO PREVENT DAMAGE OR INJURY. ALWAYS CHECK TO ENSURE THAT ALL HARDWARE IS KEPT TIGHTENED.**

Thank you for your purchase

# Furniture Safety Bracket Tip Resistant

- Designed to help prevent furniture tipover.
- Detachable strap allows for easy moving of furniture for cleaning.
- Also helps prevent furniture from tipping during minor tremors.

## Installation:

### Short Screw (1pc)



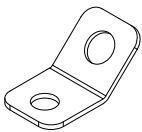
### Long Screw (1pc)



### Strap (1pc)



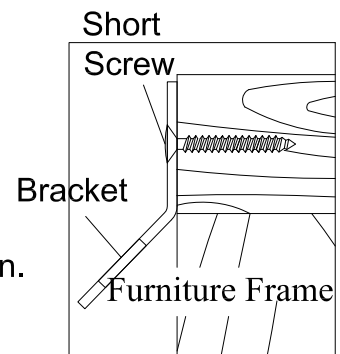
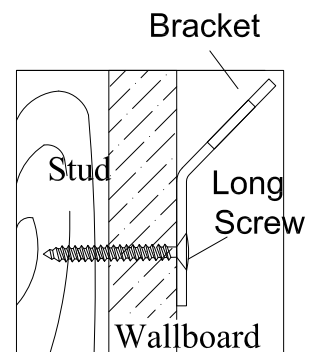
### Bracket (2pcs)



1. Locate a wall stud behind your furniture. Position a bracket on the stud approximately 1" below the top frame of the furniture. Mark and drill pilot hole into the center of the stud with a 3/32" drill bit. Attach a bracket to the stud with the long screws provided.

2. On the back of the furniture, a bracket will need to be attached to the furniture frame at the top. To do this, temporarily move the furniture into its final position and mark the location of the wall bracket on the furniture frame. Move the furniture away from the wall and place a bracket on the mark. Mark and drill holes for screws with a 3/32" drill bit. Attach the bracket to the furniture with the short screws provided.

3. Move the furniture into its final position, taking care to line up the wall bracket with the furniture bracket. Thread a strap through the bracket as shown in the illustration. Tighten strap until snug. Do not overtighten.



## Important:

Check to be sure the wall bracket is firmly screwed into wall stud, the furniture bracket is firmly attached to the frame, and the strap is snug.

## Caution:

This product is not to be a substitute for proper parental supervision. Manufacturer assumes no liability for improper installation or excessive loads placed on screws brackets or straps.

## Warning:

Children have died from furniture tipover. To reduce the risk of furniture tipover:

- ALWAYS install tipover restraint provided.
- NEVER put a TV on this product.
- NEVER allow children to stand, climb or hang on drawers, doors, or shelves.
- NEVER open more than one drawer at a time.
- Place heaviest items in the lowest drawers.

This is a permanent label.

Do not remove!

