





#### Important safety instructions:

- Please read carefully all instructions before assembly.
- For your safety and ease, assembly by two or more adults is recommended.
- Keep instructions for future use.





#### Pre-assembly:

- Do not discard any content until assembly is complete to avoid accidentally discarding small parts or hardware.
- Take out all parts and hardware from box.

#### Parts List

Item	Description	QTY
P1	Table Top 	1
P2	Metal Legs 	5
P3	Mounting Plate-1 	2
P4	Mounting Plate-2 	2

#### Hardware List

Item	Description	QTY
H1	Bolt Ø1/4" x 5/8" 	7
H2	Lock Washers Ø1/4" 	7
H3	Flat Washers Ø1/4" 	7
H4	Allen Wrench 	1





#### DISCLAIMER:

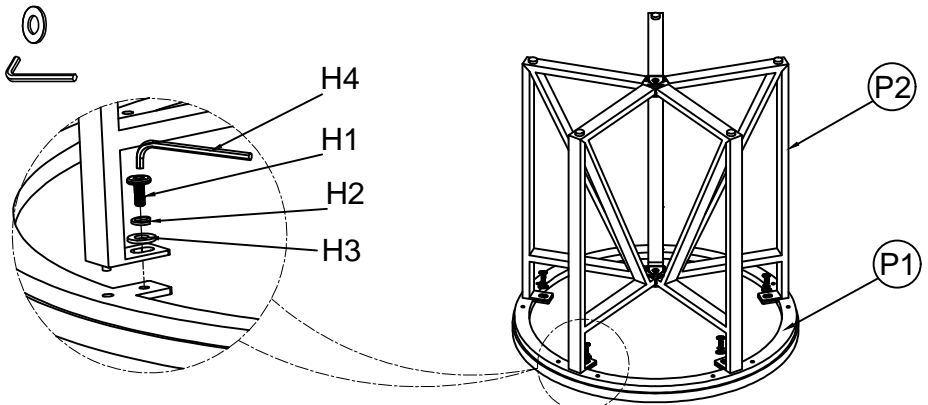
WHEN PROPERLY ASSEMBLED, THIS ITEM IS SAFE FOR INTENDED USE. SELLER IS NOT LIABLE FOR ANY DAMAGES RESULTING FROM ITEM BEING IMPROPERLY ASSEMBLED AFTER PURCHASE.

#### Assembly Procedures:




Step 1: Assemble the table on a flat, soft surface such as a carpet or cloth to prevent scratching the finish.

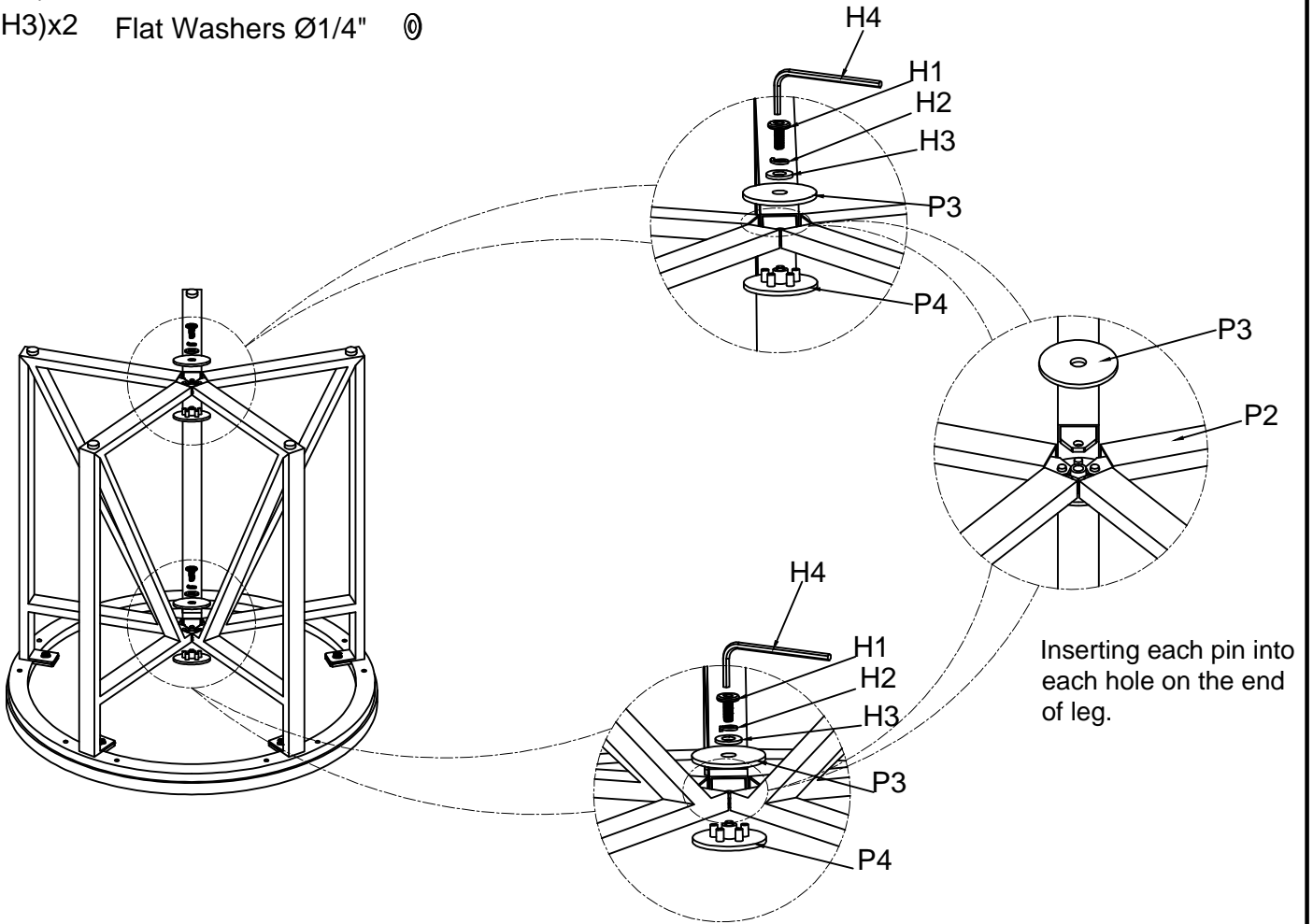
**Loosely** attach Metal Legs (P2) to Table Top (P1) as shown below:

- (H1)x5 Bolts Ø1/4" x 5/8" 
- (H2)x5 Lock Washers Ø1/4" 
- (H3)x5 Flat Washers Ø1/4" 
- (H4)x1 Allen Wrench 



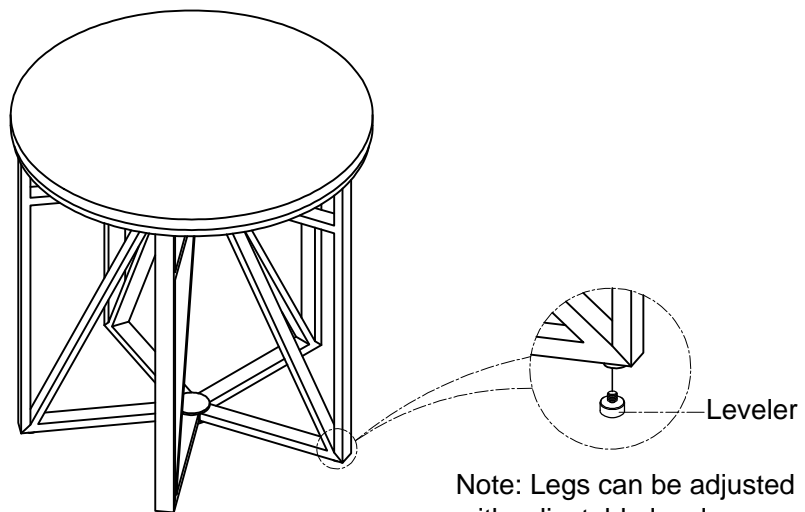
Step 2: Attach Mounting Plates (P3,P4) to the assembled Metal Legs (P2) as shown below.

- (H1)x2 Bolts  $\varnothing 1/4"$  x  $5/8"$  
- (H2)x2 Lock Washers  $\varnothing 1/4"$  
- (H3)x2 Flat Washers  $\varnothing 1/4"$  



Step 3:

1. Securely tighten all bolts with Allen wrench (H4).
2. Turn the assembled table to an upright position.
3. Assembly is complete. Failure to follow these instructions may cause the bolts to misalign during assembly.



**ADDITIONAL NOTE ABOUT SAFETY:**  
**BOLTS MAY LOOSEN DURING NORMAL EVERYDAY USE.**  
**THEY SHOULD BE INSPECTED AT LEAST EVERY 3 MONTHS AND RE-TIGHTENED AS NEEDED TO PREVENT DAMAGE OR INJURY, AND ENSURE STABILITY.**

Thank you for your purchase