

### Important safety instructions:

- Please read carefully all instructions before assembly.
- For your safety and ease, assembly by two or more adults is recommended.
- Keep instructions for future use.

### Pre-assembly:

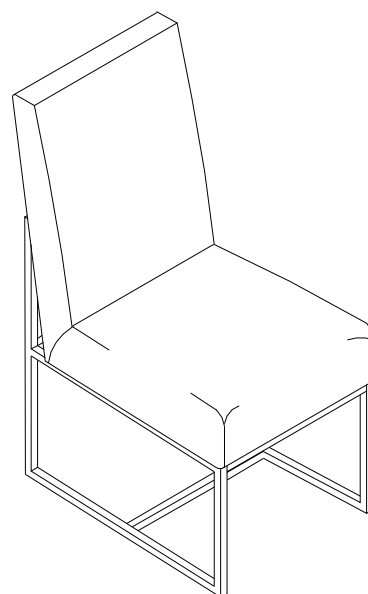
- Do not discard any content until assembly is complete to avoid accidentally discarding small parts or hardware.
- Take out all parts and hardware from box.

### Parts List

Item	Description	QTY
P1	Chair Top	1
P2	Left Side Frame	1
P3	Right Side Frame	1
P4	Front Rail	1
P5	Bottom Rail (Long)	1
P6	Back Rails (Short)	2

### Hardware List

Item	Description	QTY
H1	Short Bolts $\phi 1/4 \times 5/8$ "L	16
H2	Medium Bolts $\phi 1/4 \times 1$ "L	6
H3	Lock Washers $\phi 1/4$ "	22
H4	Flat washers $\phi 1/4 \times 16$ mm	22
H5	Allen Wrench $\phi 1/4$ "	1



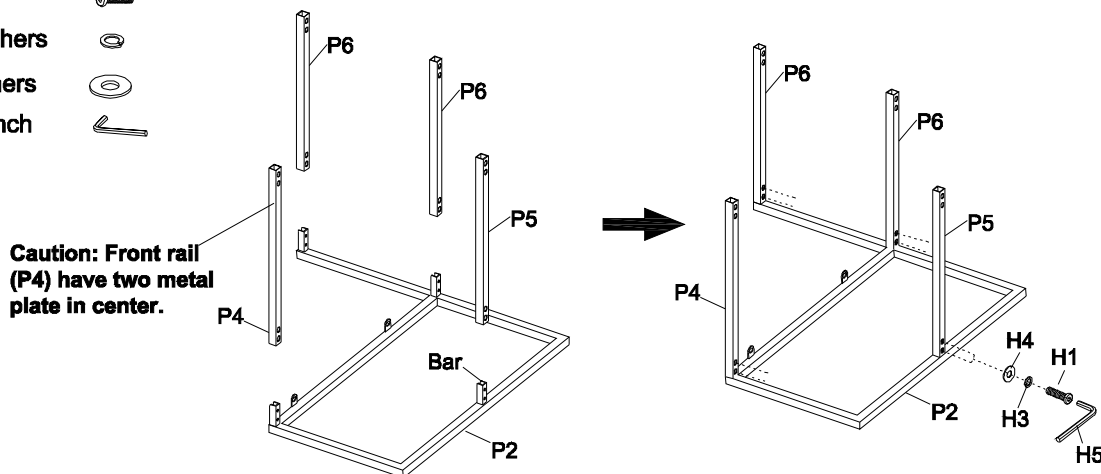
### DISCLAIMER:

WHEN PROPERLY ASSEMBLED, THIS ITEM IS SAFE FOR INTENDED USE. SELLER IS NOT LIABLE FOR ANY DAMAGES RESULTING FROM ITEM BEING IMPROPERLY ASSEMBLED AFTER PURCHASE.


### Assembly Procedures:

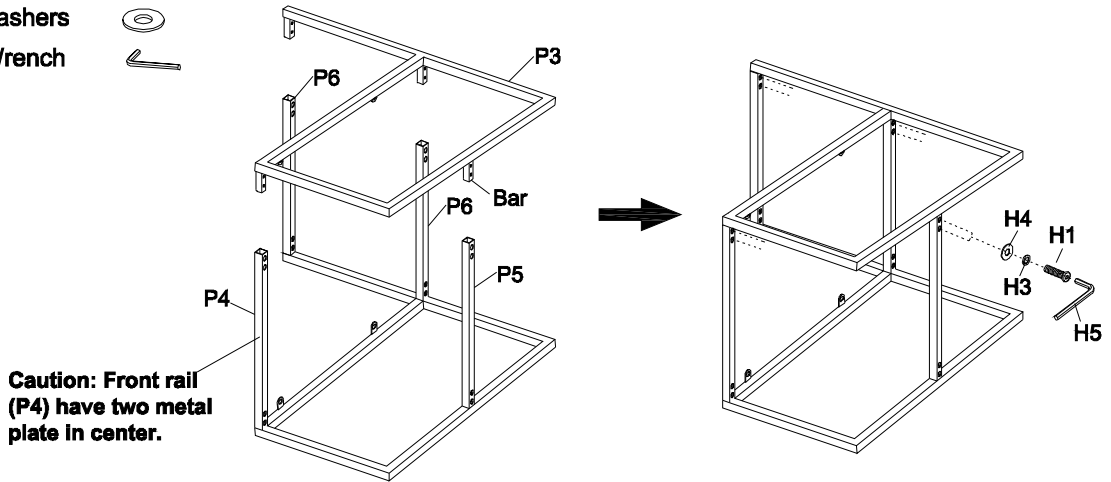
**Step 1.** Assemble the chair on a flat, soft surface such as a carpet or cloth to prevent scratching the finish. Loosely attach each rail (P4,P5,P6) to the left side frame (P2) as shown below.

- (H1)x8 Bolts 
- (H3)x8 Lock Washers 
- (H4)x8 Flat Washers 
- (H5)x1 Allen Wrench 



**Step 2.** Attach the right side frame (P3) to the assembled each rail (P4,P5,P6) as shown below.

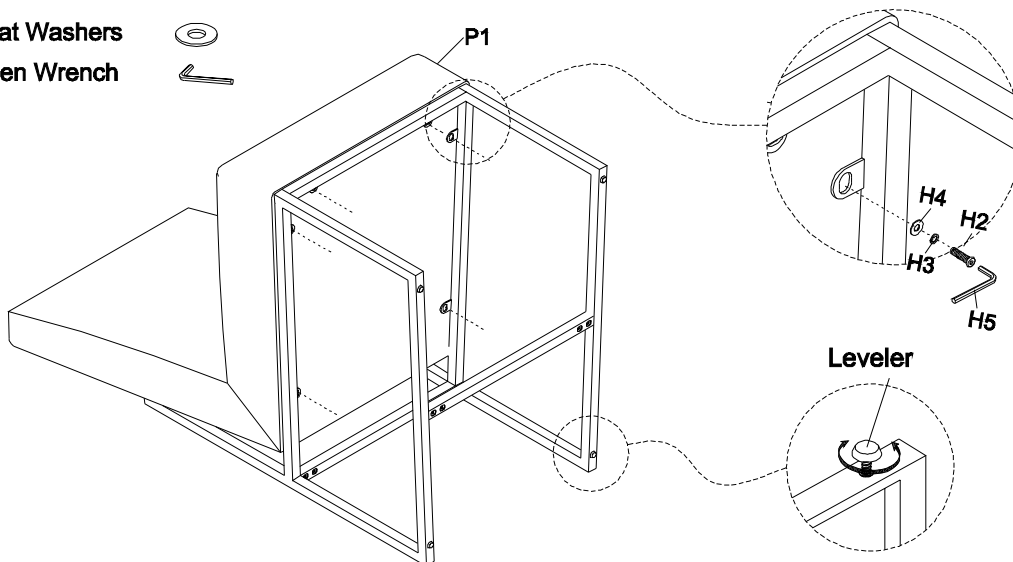
- (H1)x8 Bolts 
- (H3)x8 Lock Washers 
- (H4)x8 Flat Washers 
- (H5)x1 Allen Wrench 



**Step 3.**

- 1) Loosely attach the chair top to the assembled chair as shown below.
- 2) Securely tighten all bolts with Allen wrench (H5). Turn the assembled chair to an upright position.
- 3) Leveler adjustment: Leveler are installed on the legs and adjust as needed to make sure the chair is level. Assembly is complete. **Failure to follow these instructions may cause the bolts to misalign during assembly.**

- (H2)x6 Bolts 
- (H3)x6 Lock Washers 
- (H4)x6 Flat Washers 
- (H5)x1 Allen Wrench 



**ADDITIONAL NOTE ABOUT SAFETY: BOLTS MAY LOOSEN DURING NORMAL EVERYDAY USE. THEY SHOULD BE PERIODICALLY INSPECTED AND RE-TIGHTENED TO PREVENT DAMAGE OR INJURY. ALWAYS CHECK TO ENSURE THAT ALL HARDWARE IS KEPT TIGHTENED.**

Thank you for your purchase