






Important safety instructions:

- Please **read** carefully all instructions before assembling.
- For your safety and ease, assembly by two or more adults is recommended.
- Keep instructions for future use.





Pre-assembly:

- **Do not discard any content until assembly completed to avoid accidentally discarding small parts or hardware.**
- **Remove all parts and hardware from box along with any protective packaging**

Parts List

Item	Description	QTY
P1	 CHAIR SEAT	1PC
P2	 LEG FRAME	1PC
P3	 LEG FRAME	1PC
P4	 RING	1PC
P5	 SWIVEL	1PC

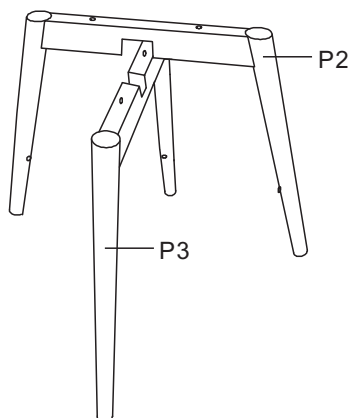
Hardware List

Item	Description	QTY
H1	BOLTS DIA:1/4"x1" 	8PCS
H2	BOLTS DIA:1/4"x1-3/8" 	4PCS
H3	FLAT WASHER 	8PCS
H4	ALLEN WRENCH 1/4" 	1PC

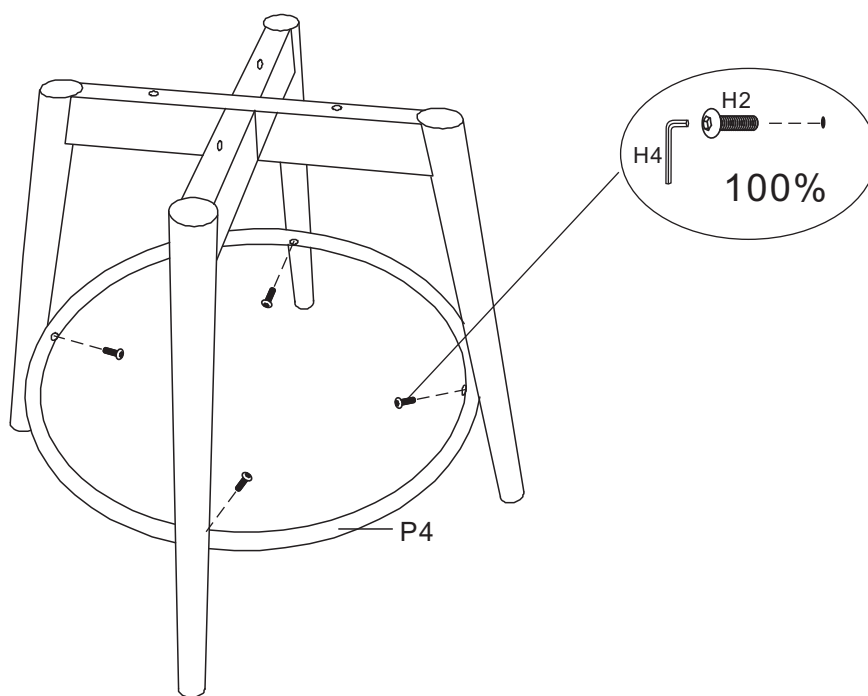
DISCLAIMER:

WHEN PROPERLY ASSEMBLED, THIS ITEM IS SAFE FOR INTENDED USE. SELLER IS NOT LIABLE FOR ANY DAMAGES RESULTING FROM ITEM BEING IMPROPERLY ASSEMBLED AFTER PRUCHASE.

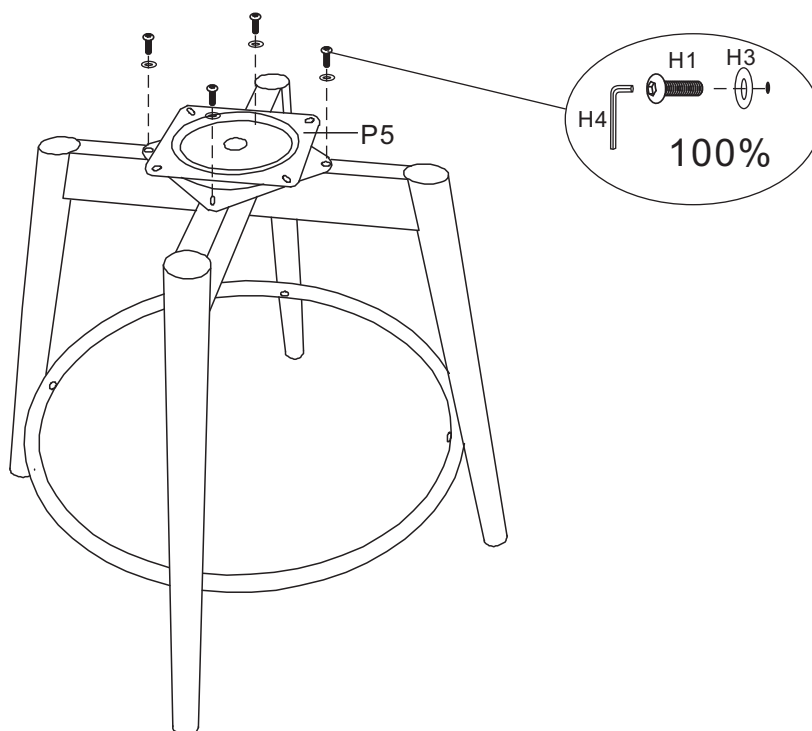
Step 1. Assemble the chair on a flat, soft surface such as carpet or cloth to prevent scratching. Insert leg frame(P2) to leg frame (P3) as illustration below.



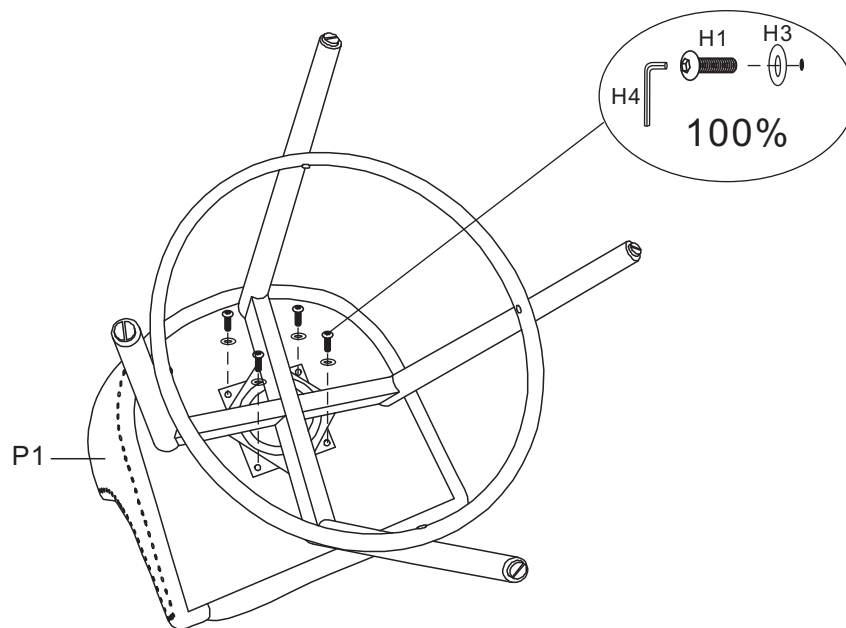
Step 2. Insert ring(P4) to leg frame(P2&P3) using bolts(H2) and fully tighten bolts with allen wrench(H4). as illustration below.



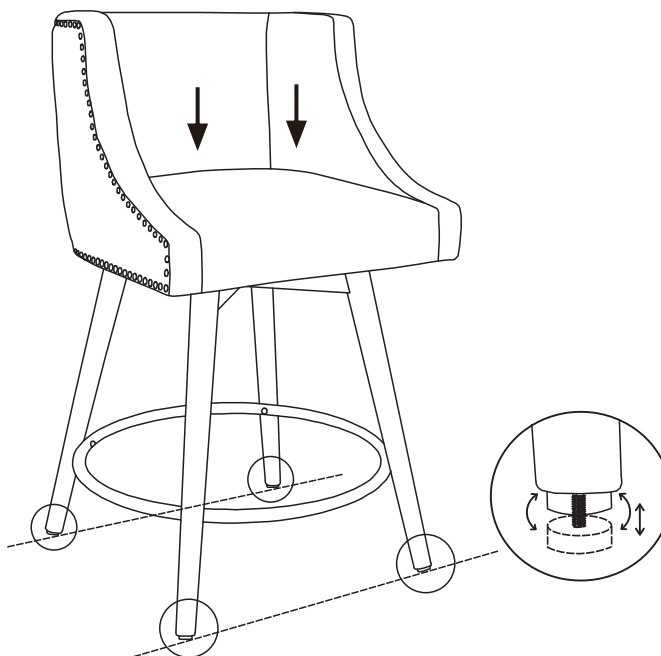
Step 3. Attach the swivel(P5) to top of leg frame (P2&P3) with bolts(H1), flat washers(H3) and tighten all bolts securely with allen wrench(H4) as illustration below.



Step 4. Lay chair on side and then attach the swivel (P5) to the bottom chair seat(P1) with bolts(H1),flat washers(H3) and tighten all bolts securely with allen wrench(H4) as illustration below.



Step 5. Turn chair upright on a level surface. Adjust levelers (as drawing) as necessary.



ADDITIONAL NOTE ABOUT SAFETY:
BOLTS MAY LOOSEN DURING NORMAL EVERYDAY USE.
THEY SHOULD BE INSPECTED AT LEAST EVERY 3 MONTHS AND RE-TIGHTENED AS NEEDED TO PREVENT DAMAGE OR INJURY,
AND ENSURE STABILITY.

Thank you for your purchase