





Important safety instructions:

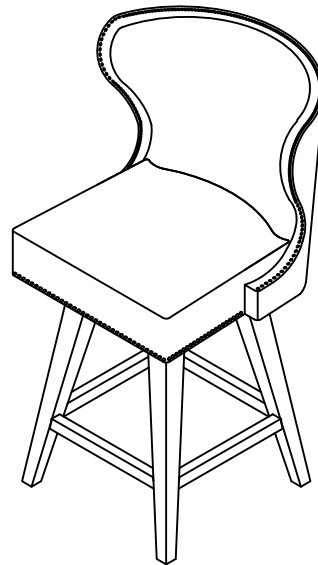
- Please read carefully all instructions before assembly.
- For your safety and ease, assembly by two or more adults is recommended.
- Keep instructions for future use.

Pre-assembly:






- Do not discard any content until assembly is complete to avoid accidentally discarding small parts or hardware.
- Take out all parts and hardware from box.

Parts List

Item	Description	QTY
P1	Chair Top 	1
P2	Legs 	4
P3	Side and Back Stretchers 	3
P4	Front Stretcher (with kickplate) 	1



Hardware List

Item	Description	QTY
H1	Bolts Ø5/16"*2-1/2"L 	8
H2	Lock Washers 5/16" 	8
H3	Flat Washers 5/16" 	8
H4	Allen Wrench 5/16" 	1
H5	Screws #8*1-1/2" 	8


DISCLAIMER:

WHEN PROPERLY ASSEMBLED, THIS ITEM IS SAFE FOR INTENDED USE. SELLER IS NOT LIABLE FOR ANY DAMAGES RESULTING FROM ITEM BEING IMPROPERLY ASSEMBLED AFTER PURCHASE.

Assembly Procedures:

Step 1. Assemble the stool on a flat, soft surface such as a carpet or cloth to prevent scratching the finish.

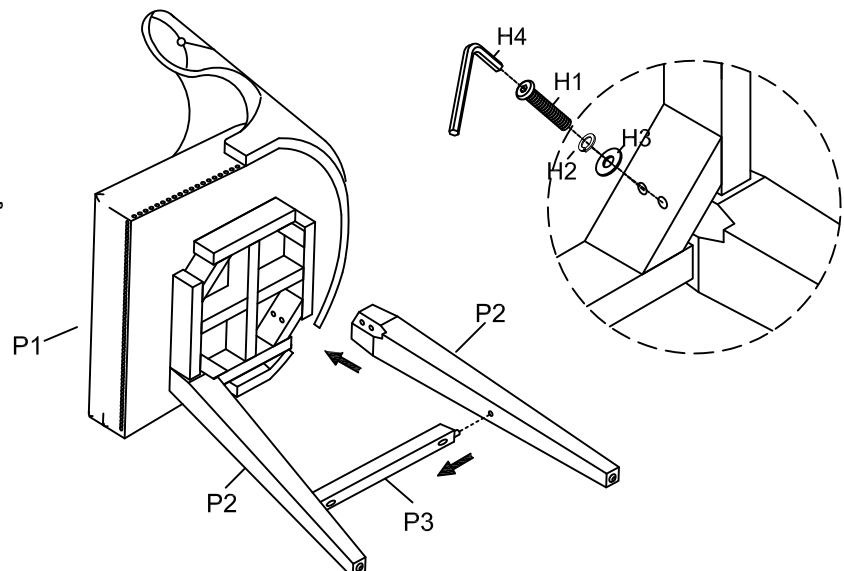
- 1) Attach one leg (P2) to the bottom of chair top (P1) as shown below.
- 2) Insert one stretcher (P3) between the two legs (P2), then attach leg (P2) to the bottom of chair top (P1) as shown below.

(H1)x4 Bolts Ø5/16"*2-1/2"L 

(H2)x4 Lock Washers 5/16" 

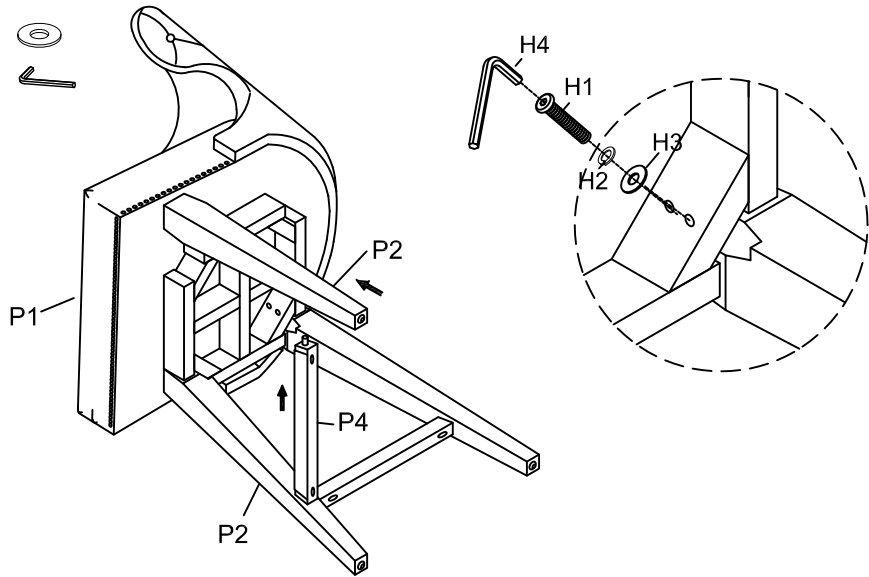
(H3)x4 Flat Washers 5/16" 

(H4)x1 Allen Wrench 5/16" 



Step 2. Loosely Insert front stretcher (P4) between the two legs (P2), then attach the third leg (P2) to the bottom of chair top (P1) as shown below.

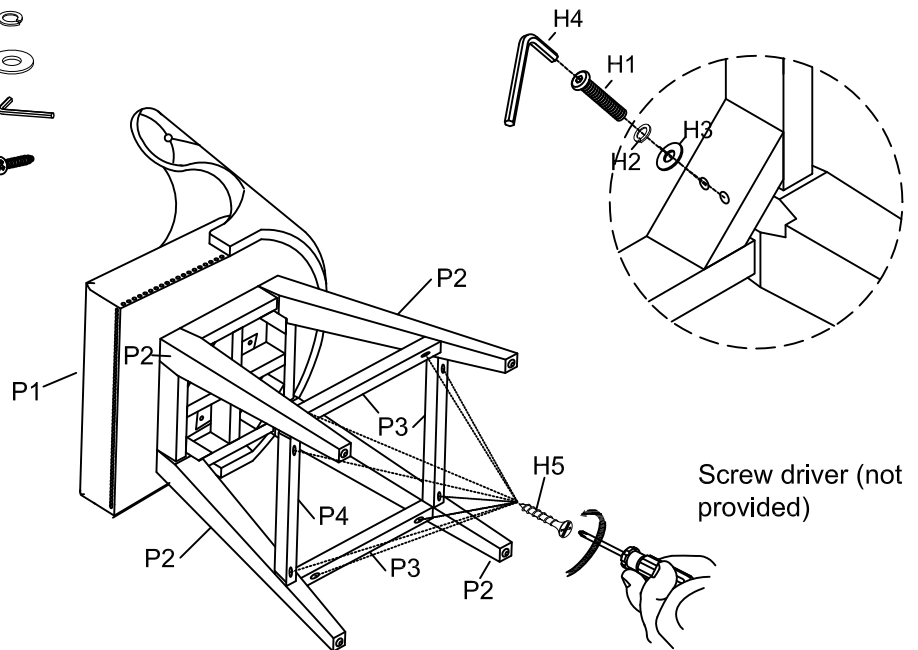
- (H1)x2 Bolts $\text{Ø}5/16'' \times 2-1/2''\text{L}$
- (H2)x2 Lock Washers 5/16"
- (H3)x2 Flat Washers 5/16"
- (H4)x1 Allen Wrench 5/16"



Step 3.

- 1) Insert two stretchers (P3) to the legs (P2), then attach last leg (P2) to bottom of chair top (P1) as shown below.
- 2) Securely tighten all bolts with Allen wrench (H4).
- 3) Tighten screws (H5) through the stretchers (P3&P4) to the legs (P2) with screw driver (not provided).
- 4) Make sure the stool is level, turn the assembled stool to an upright position.
- 5) Assembly is complete. **Failure to follow these instructions may cause the bolts to misalign during assembly.**

- (H1)x2 Bolts $\text{Ø}5/16'' \times 2-1/2''\text{L}$
- (H2)x2 Lock Washers 5/16"
- (H3)x2 Flat Washers 5/16"
- (H4)x1 Allen Wrench 5/16"
- (H5)x8 Screws #8*1-1/2"



ADDITIONAL NOTE ABOUT SAFETY:

BOLTS MAY LOOSEN DURING NORMAL EVERYDAY USE.

THEY SHOULD BE INSPECTED AT LEAST EVERY 3 MONTHS AND RE-TIGHTENED AS NEEDED TO PREVENT DAMAGE OR INJURY, AND ENSURE STABILITY.

Thank you for your purchase