

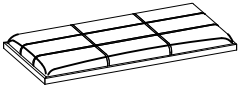
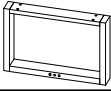

Important safety instructions:

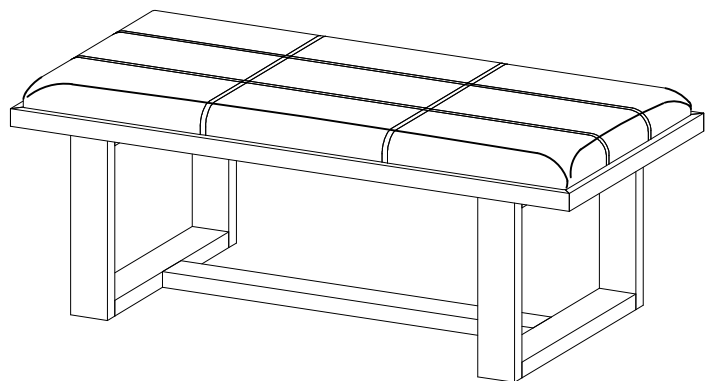
- Please carefully read all instructions before assembling.
- For your safety and ease, assembly by two or more adults is recommended.
- Keep instructions for future use.

Pre-assembly:

- Do not discard any contents until after assembly is complete to avoid accidentally discarding small parts or hardware.
- Remove all parts and hardware from box along with any plastic protective packaging.

Parts List

Item	Description	QTY
P1	Seat Cushion 	1 Pc
P2	Legs 	2 Pcs
P3	Support Rail 	1 Pc



Hardware List

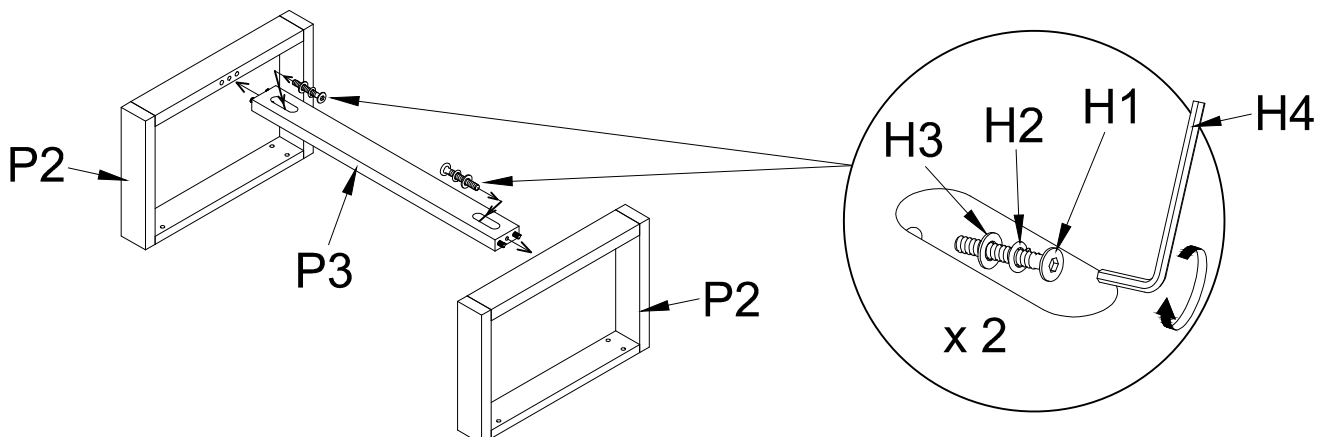
Item	Description	QTY
H1	Bolts Ø1/4" x 45mm 	10 Pcs
H2	Spring Washer 1/4" x 13mm 	10 Pcs
H3	Flat Washer 1/4" x 13mm 	10 Pcs
H4	Allen Wrench M4 x 65mm 	1 Pc

DISCLAIMER:

WHEN PROPERLY ASSEMBLED, THIS ITEM IS SAFE FOR INTENDED USE. SELLER IS NOT LIABLE FOR ANY DAMAGES RESULTING FROM ITEM BEING IMPROPERLY ASSEMBLED AFTER PURCHASE.

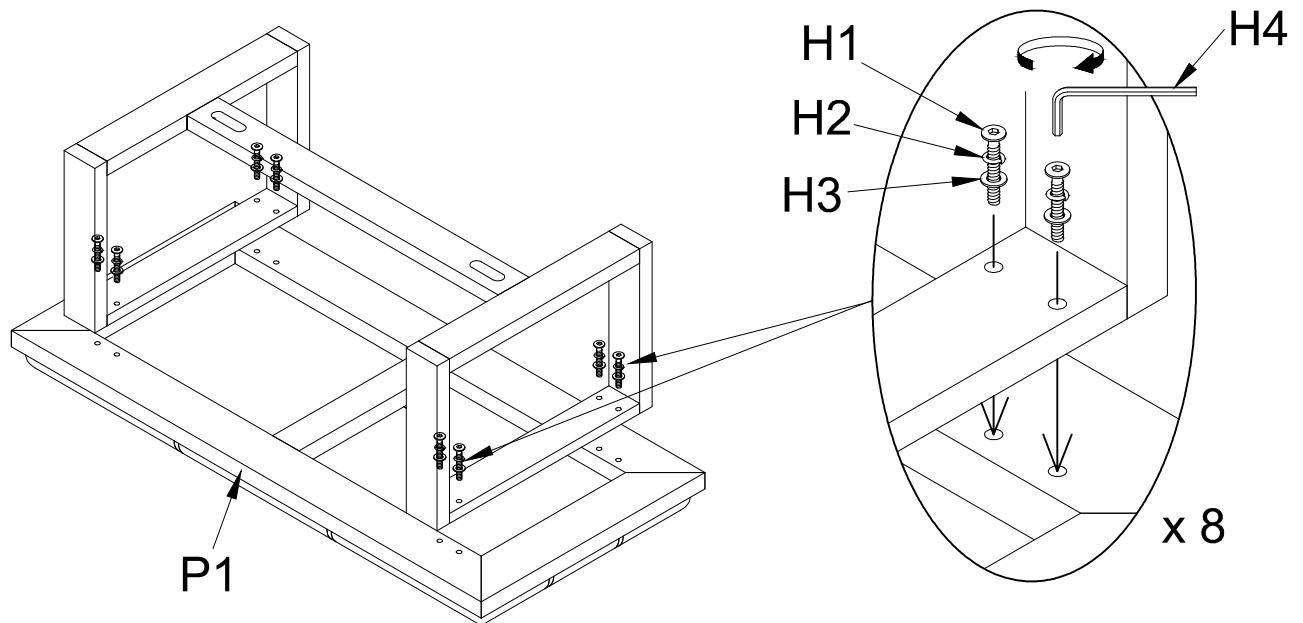
Assembly Procedures:

- Step 1. Assemble the bench on a flat, soft surface such as a carpet or cloth to prevent scratching the finish.
- Step 2. Attach support rail (P3) to the legs (P2) by using bolts (H1), spring washers (H2), flat washers (H3), secure with allen wrench (H4), but not to fully tighten at this step.

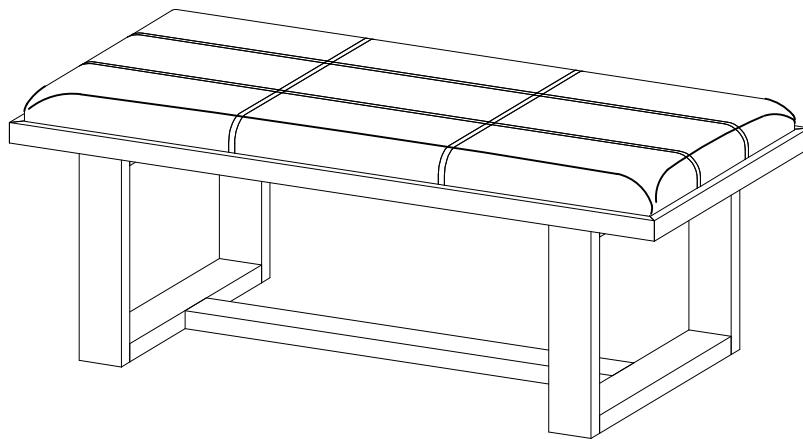


Step 3. Attach legs (P2) to the seat cushion (P1) by using bolts (H1), spring washers (H2), flat washers (H3), secure with allen wrench (H4).

Step 4. Securely tighten all bolts by allen wrench (H4), but do not over tighten the bolts. Assembly is complete.



Step 5. Turn the bench over.



ADDITIONAL NOTE ABOUT SAFETY: BOLTS MAY LOOSEN DURING NORMAL EVERYDAY USE. THEY SHOULD BE PERIODICALLY INSPECTED AND RE-TIGHTENED TO PREVENT DAMAGE OR INJURY. ALWAYS CHECK TO BE SURE THAT ALL HARDWARE IS KEPT TIGHTENED.

Thank you for your purchase