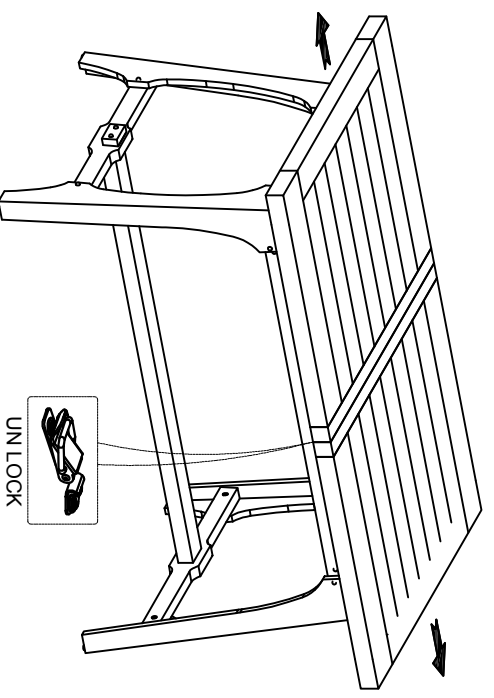


**OLIVER EXTENSION DINING TABLE**

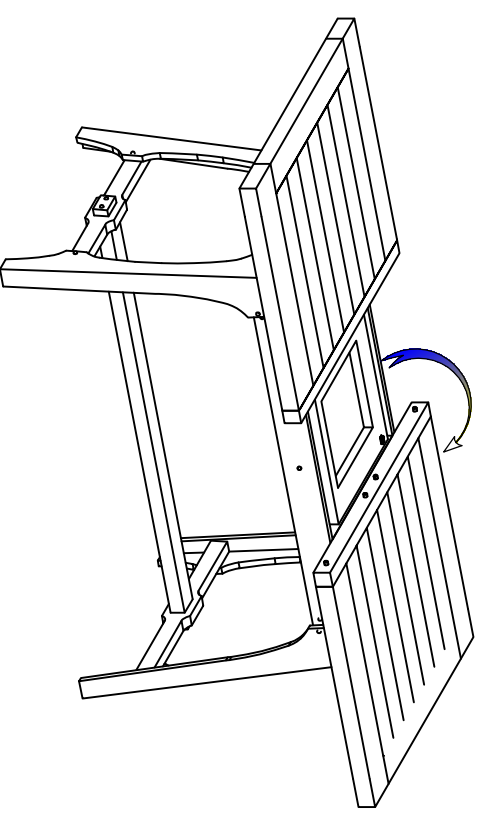
*Assembly instructions:*

**5**

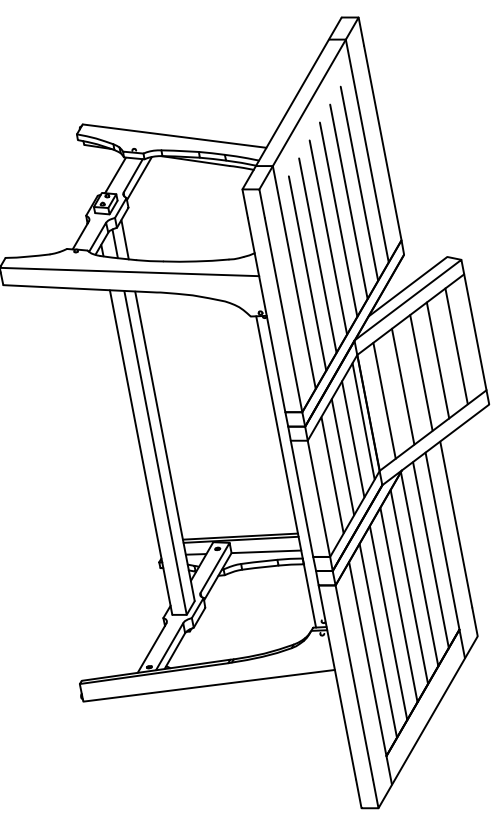


\* UNLOCK MECHANISM TO OPEN TOP

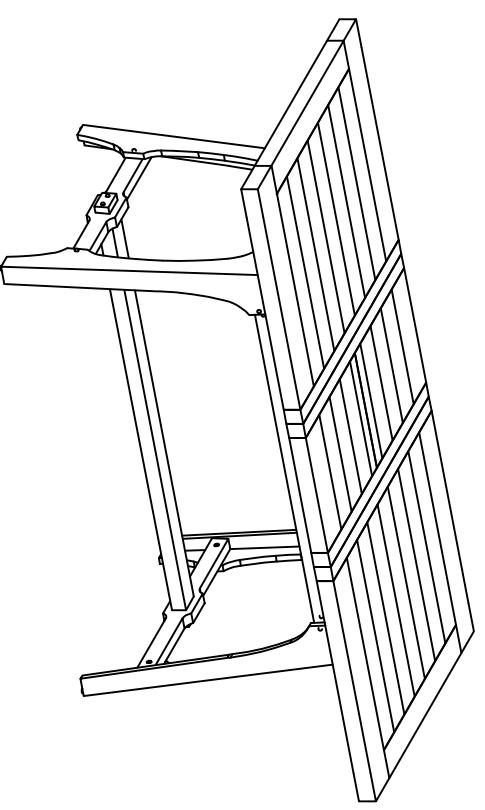
**6**



**7**



**8**



\* ASSEMBLY COMPLETED WITH BUTTERFLY OPTION