

ASSEMBLY INSTRUCTIONS

Description: JAMESON QUEEN BED






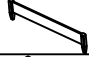
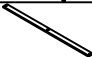
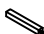
Important safety instructions:

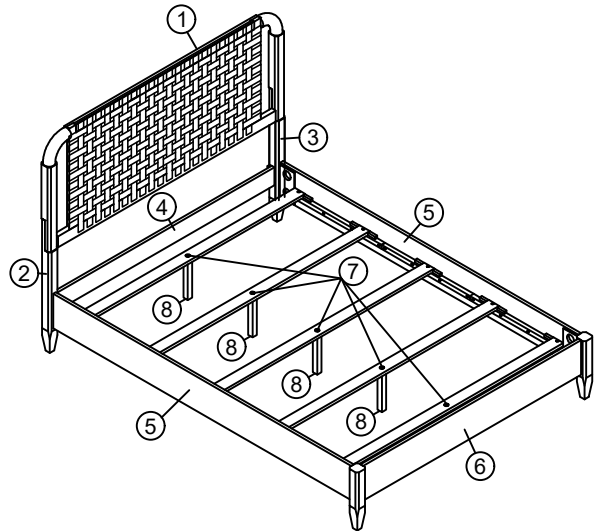
- Please read carefully all instructions before assembly.
- For your safety and ease, assembly by two or more adults is recommended.
- Keep instructions for future use.

Pre-assembly:









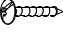
- Do not discard any content until assembly is complete to avoid accidentally discarding small parts or hardware.
- Take out all parts and hardware from box.

Parts List

Item	Description	QTY
①	Headboard 	1
②	Headboard left leg 	1
③	Headboard right leg 	1
④	Stretcher 	1
⑤	Side Rails 	2
⑥	Footboard 	1
⑦	Slats 	5
⑧	Center Legs 	5







Hardware List

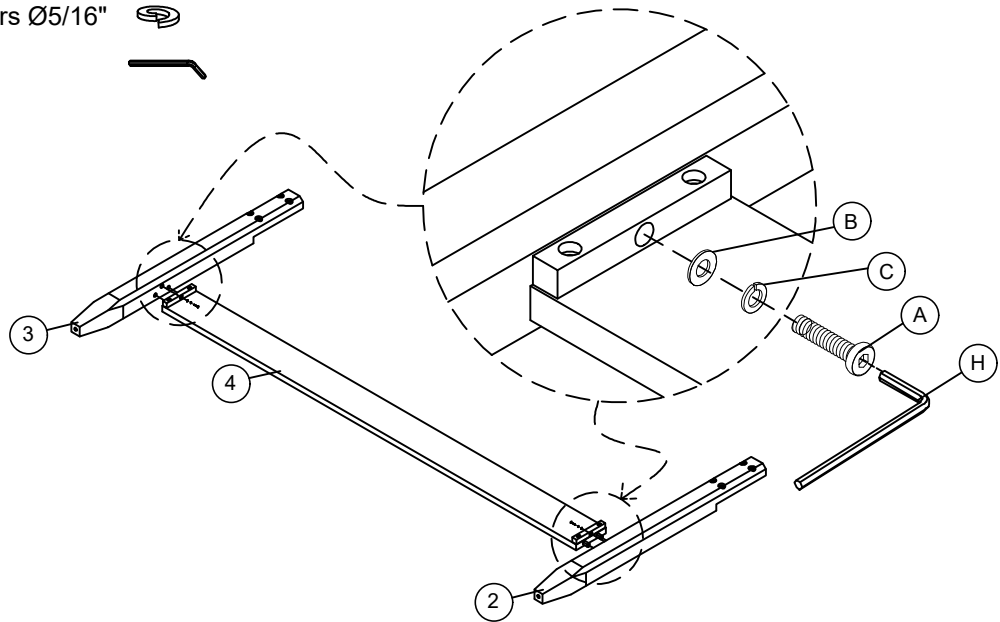
Item	Description	QTY
Ⓐ	Bolt Ø5/16" x 1.75" 	10
Ⓑ	Flat Washer Ø5/16" x 19 	10
Ⓒ	Lock Washer Ø5/16" 	18
Ⓓ	Bolt Ø5/16" x 3.5" 	8
Ⓔ	Nuts Ø5/16" 	8
Ⓕ	Halfmoon Washer 	8
Ⓖ	Wrench 	1
Ⓕ	Allen Key 	1
Ⓖ	Screw M4 x 1" 	10

DISCLAIMER:





WHEN PROPERLY ASSEMBLED, THIS ITEM IS SAFE FOR INTENDED USE. SELLER IS NOT LIABLE FOR ANY DAMAGES RESULTING FROM ITEM BEING IMPROPERLY ASSEMBLED AFTER PURCHASE.

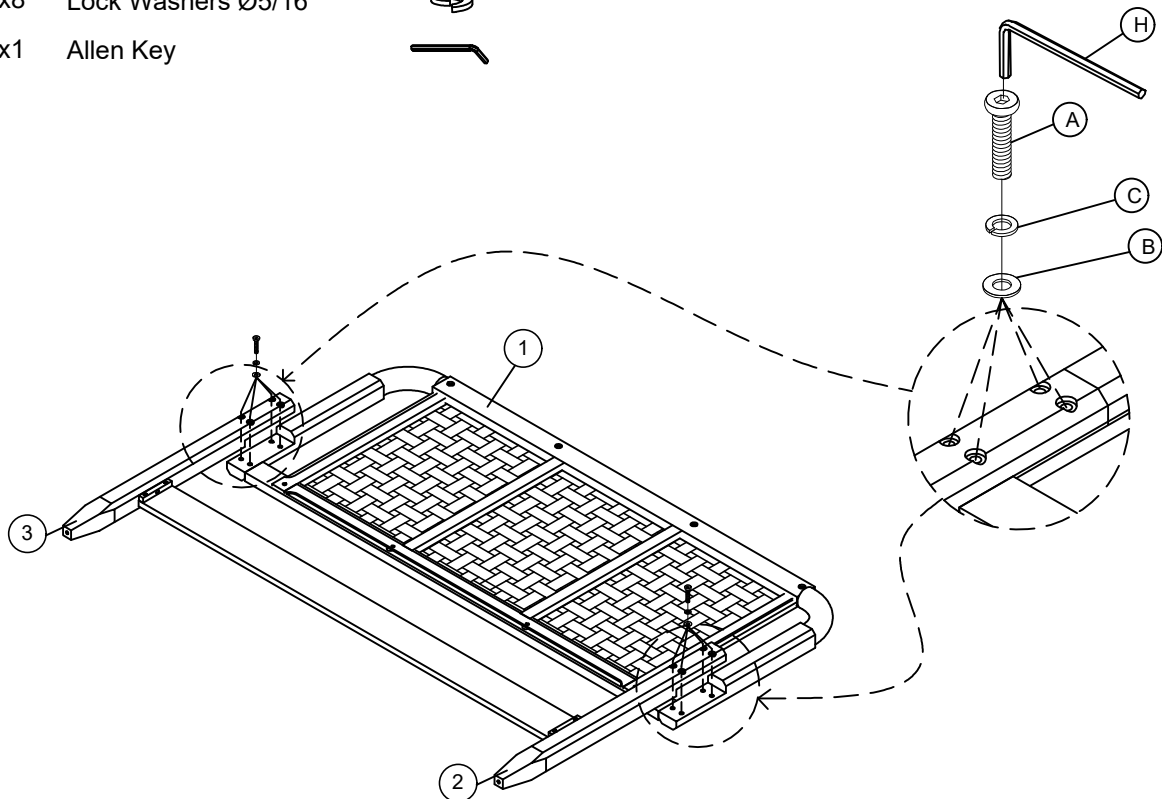
Step 1. Assemble the bed on a flat, soft surface such as a carpet or cloth to prevent scratching the finish. Attach Left Leg (2) and Right Leg (3) to Stretcher (4) as shown below. Do not fully tighten bolts.

- (A)x2 Bolt Ø5/16" x 1.75" 
- (B)x2 Flat Washers Ø5/16" 
- (C)x2 Lock Washers Ø5/16" 
- (H)x1 Allen Key 





Step 2. Attach Left Leg (2) and Right Leg (3) to Headboard (1), as shown below. Tighten all bolts.


- (A)x8 Bolt Ø5/16" x 1.75" 
- (B)x8 Flat Washers Ø5/16" 
- (C)x8 Lock Washers Ø5/16" 
- (H)x1 Allen Key 




Step 3. Attach Side rails (5) to Headboard (1) and Footboard (6), as shown below. Tighten all nuts.

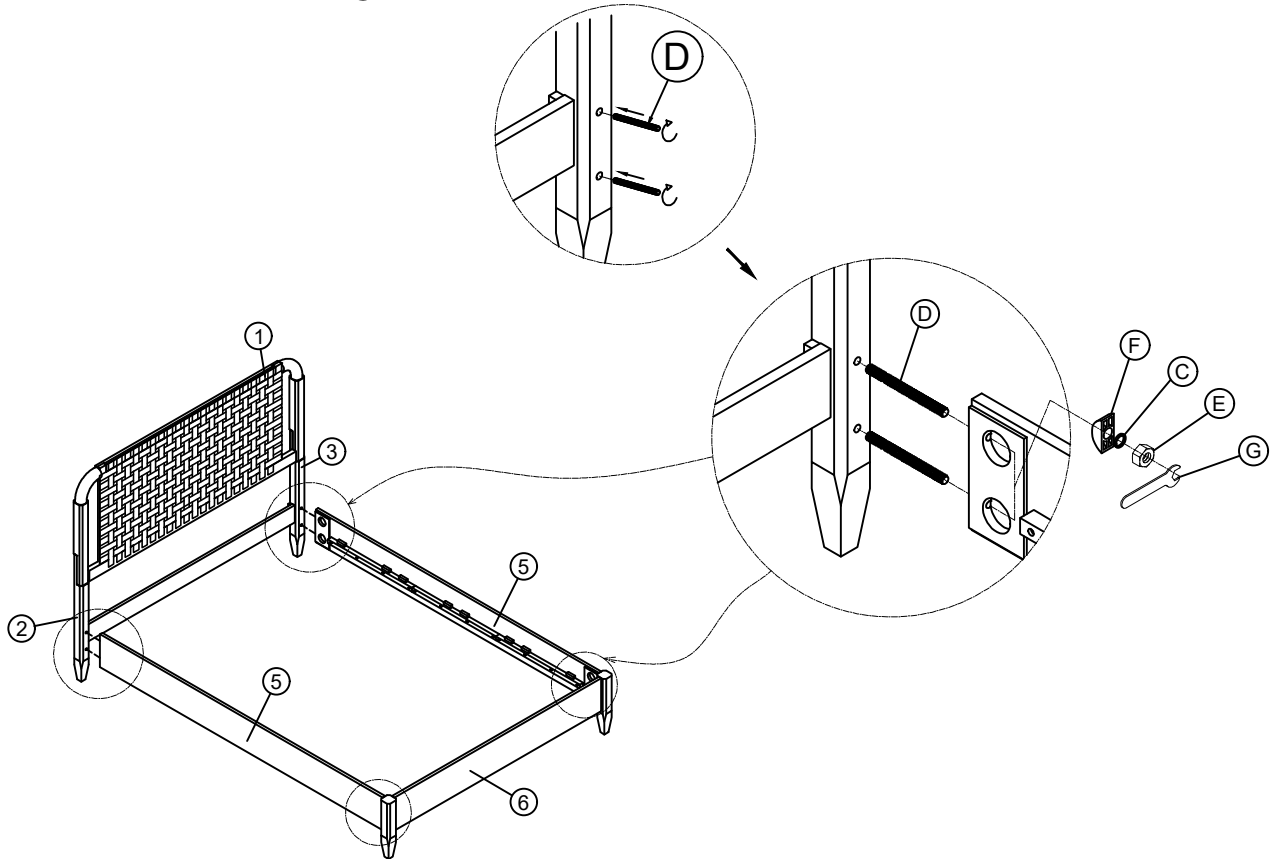
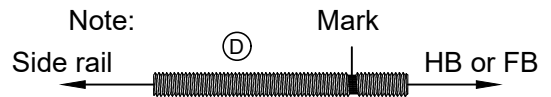
(C)x8 Lock Washers Ø5/16" 

(D)x8 Bolt Ø5/16" x 3.5" 

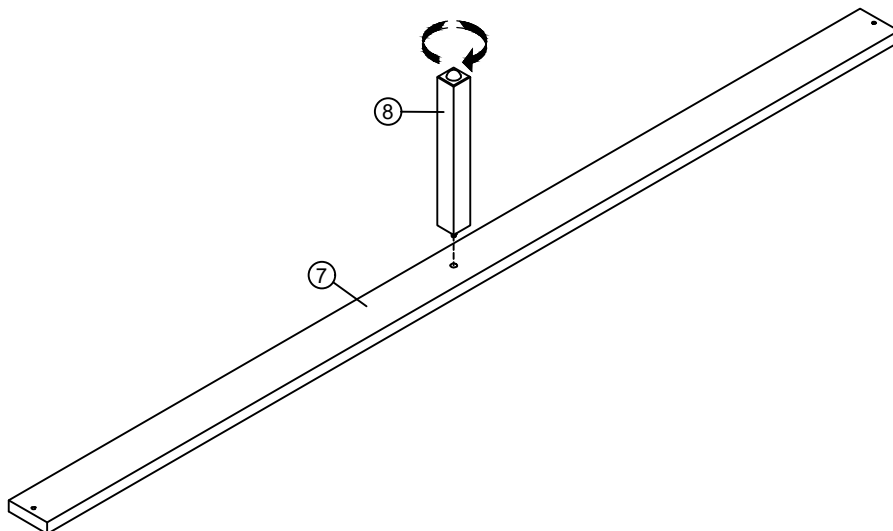
(E)x8 Nuts Ø5/16" 

(F)x8 Halfmoon Washer 

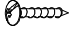
(G)x1 Wrench 

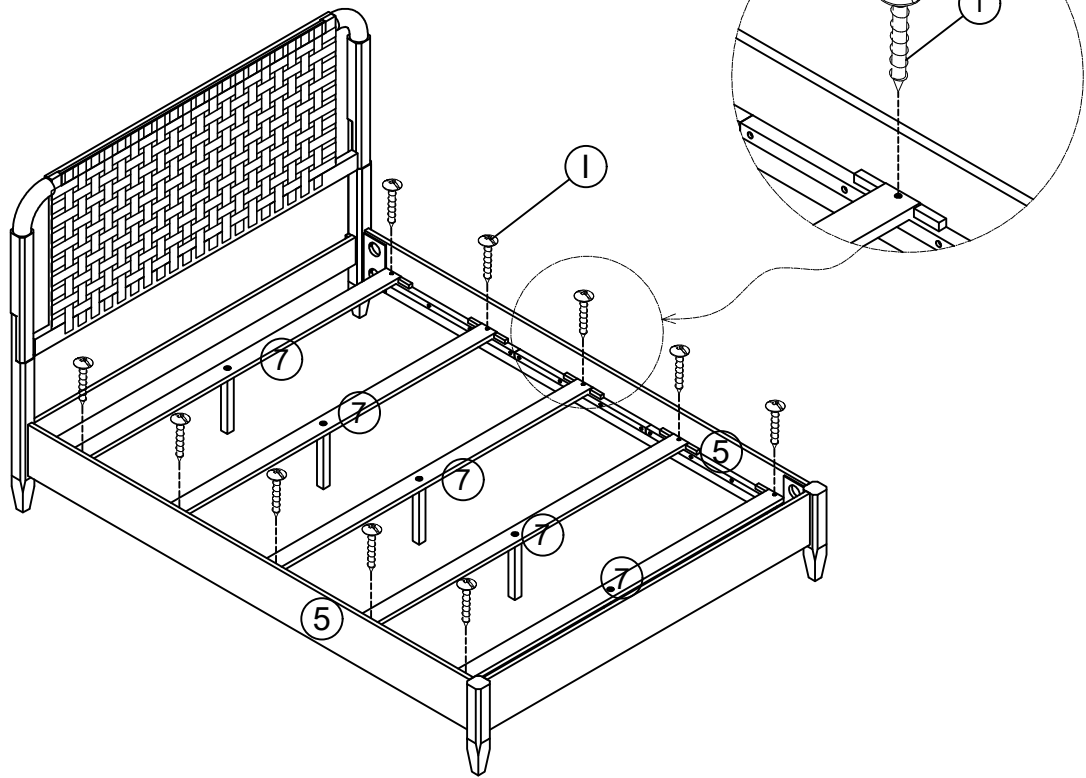


Step 4. Attach Center Legs (8) to Slats (7) as shown below:

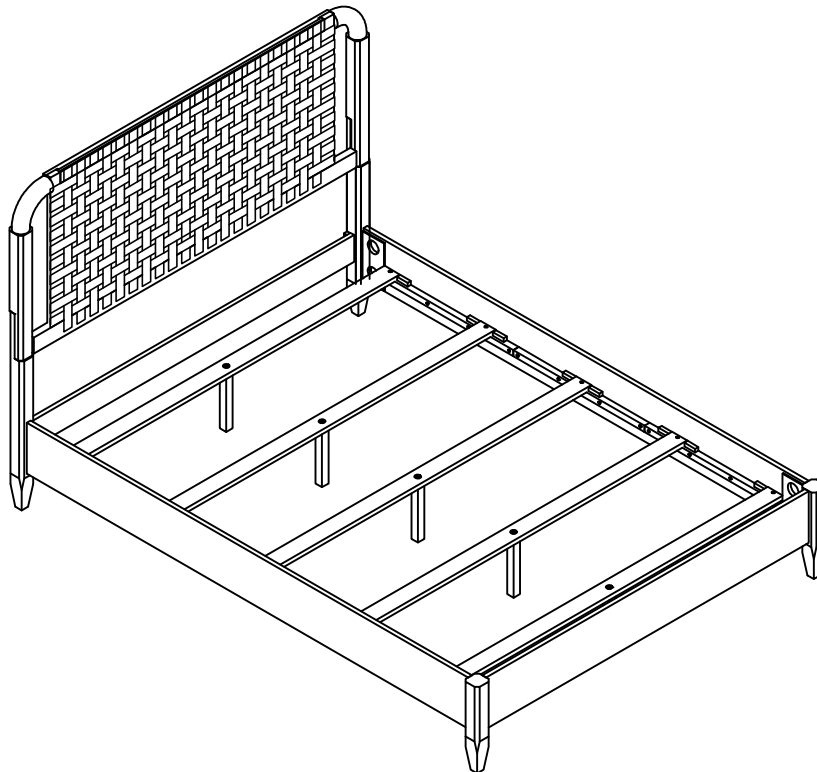


Step 5. Attach Slats (7) to Side rails (5), as shown below:

(1)x10 Screw M4 x 1" 



Step 6: Assembly is complete.



ADDITIONAL NOTE ABOUT SAFETY:

BOLTS MAY LOOSEN DURING NORMAL EVERYDAY USE.

THEY SHOULD BE INSPECTED AT LEAST EVERY 3 MONTHS AND RE-TIGHTENED AS NEEDED TO PREVENT DAMAGE OR INJURY, AND ENSURE STABILITY.

Thank you for your purchase