

# ASSEMBLY INSTRUCTIONS

Description: MERCER QUEEN BED

**Important safety instructions:**

- Please read carefully all instructions before assembly.
- For your safety and ease, assembly by two or more adults is recommended.
- Keep instructions for future use.

**Pre-assembly:**

- Do not discard any content until assembly is complete to avoid accidentally discarding small parts or hardware.
- Take out all parts and hardware from box.

**Parts List**

| Item | Description     | QTY |
|------|-----------------|-----|
| P1   | Left Headboard  | 1   |
| P2   | Right Headboard | 1   |
| P3   | Left Leg        | 1   |
| P4   | Right Leg       | 1   |
| P5   | Footboard       | 1   |
| P6   | Side rails      | 2   |
| P7   | Middle Rail     | 1   |
| P8   | Support Legs    | 4   |
| P9   | Roll Slat       | 13  |

**Hardware List**

| Item | Description            | QTY |
|------|------------------------|-----|
| H1   | Bolts M8 x 30mm        | 8   |
| H2   | Bolts Ø5/16" x 2"L     | 8   |
| H3   | Bolts Ø5/16" x 1-1/8"L | 3   |
| H4   | Bolts Ø5/16" x 3/4"L   | 10  |
| H5   | Lock Washers 5/16"     | 21  |
| H6   | Flat Washers 5/16"x19  | 21  |
| H7   | Allen Wrench           | 1   |
| H8   | Spanner                | 1   |
| H9   | Screw 1/8"x 1-1/8"L    | 6   |
| H10  | Dowel Ø3/8" x 1-5/8"L  | 4   |
| H11  | Metal Bar              | 1   |
| H12  | Metal Bar              | 1   |

**DISCLAIMER:**

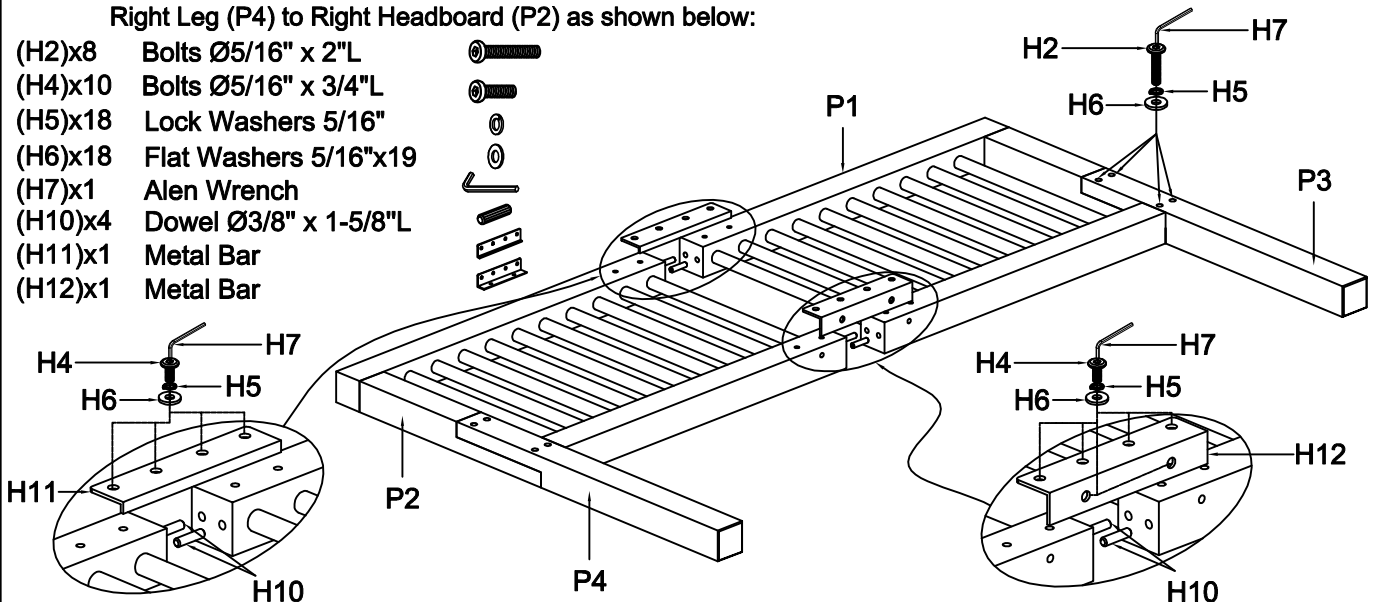
**WHEN PROPERLY ASSEMBLED, THIS ITEM IS SAFE FOR INTENDED USE. SELLER IS NOT LIABLE FOR ANY DAMAGES RESULTING FROM ITEM BEING IMPROPERLY ASSEMBLED AFTER PURCHASE.**

**Assembly Procedures:**


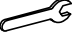
Step 1: Assemble the Headboard on a flat, soft surface such as carpet or cloth to prevent scratching the finish.

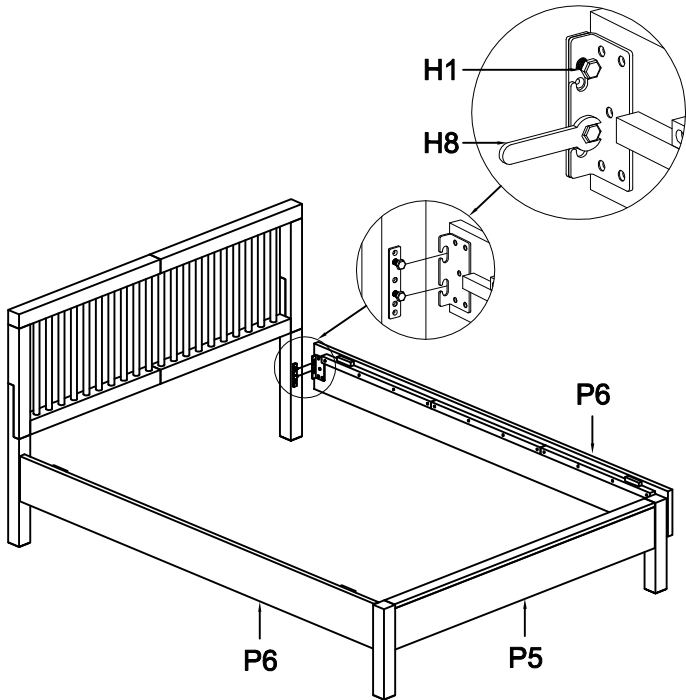
Attach Left Headboard (P1) to Right Headboard (P2) and Attach Left Leg (P3) to Left Headboard (P1), Right Leg (P4) to Right Headboard (P2) as shown below:

- (H2)x8 Bolts Ø5/16" x 2"L
- (H4)x10 Bolts Ø5/16" x 3/4"L
- (H5)x18 Lock Washers 5/16"
- (H6)x18 Flat Washers 5/16"x19
- (H7)x1 Allen Wrench
- (H10)x4 Dowel Ø3/8" x 1-5/8"L
- (H11)x1 Metal Bar
- (H12)x1 Metal Bar

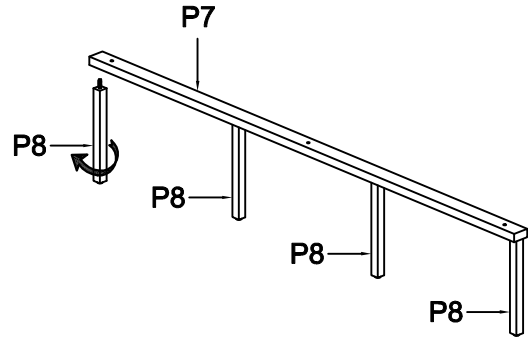


**Step 2: Attach Side rails (P6) to Headboard and Footboard (P5), as shown below:**

- (H1)x8 Bolts M8 x 30mm 
- (H8)x1 Spanner 

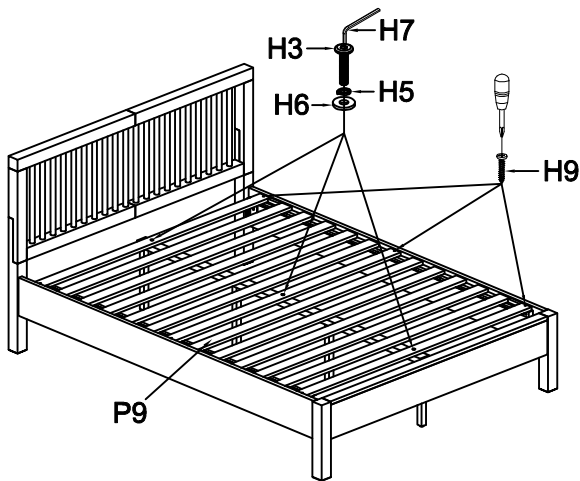


**Step 3: Attach Support Legs (P8) to Middle Rail (P7) as shown below:**

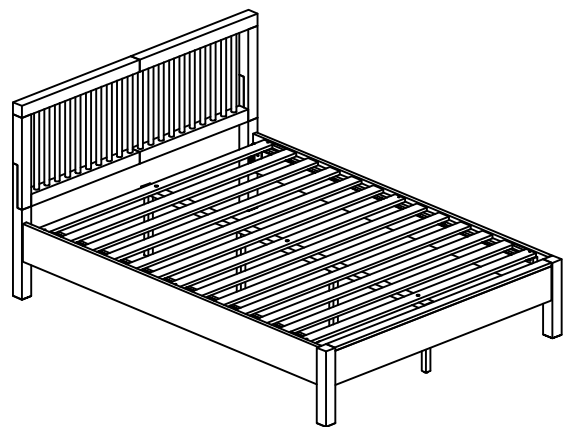


**Step 4: Attach Roll Slat (P9) to Middle Rail (P7) then attach Side rails (P6), as shown below:**

- (H3)x3 Bolts  $\text{Ø}5/16'' \times 1-1/8''\text{L}$
- (H5)x3 Lock Washers  $5/16''$
- (H6)x3 Flat Washers  $5/16'' \times 19$
- (H7)x1 Allen Wrench
- (H9)x6 Screw  $1/8'' \times 1-1/8''\text{L}$



**Step 5: Assembly is complete.**



**ADDITIONAL NOTE ABOUT SAFETY: BOLTS MAY LOOSEN DURING NORMAL EVERYDAY USE. THEY SHOULD BE PERIODICALLY INSPECTED AND RE-TIGHTENED TO PREVENT DAMAGE OR INJURY. ALWAYS CHECK TO ENSURE THAT ALL HARDWARE IS KEPT TIGHTENED.**

**Thank you for your purchase**