

ASSEMBLY INSTRUCTIONS

Description: SEADRIFT BENCH

Important safety instructions:

- Please read carefully all instructions before assembly.
- For your safety and ease, assembly by two or more adults is recommended.
- Keep instructions for future use.

Pre-assembly:

- Do not discard any content until assembly is complete to avoid accidentally discarding small parts or hardware.
- Take out all parts and hardware from box.

Parts List

NO	DESCRIPTION	IMAGE	QTY
P1	TOP		1
P2	LEGS		2
P3	STRETCHER		1

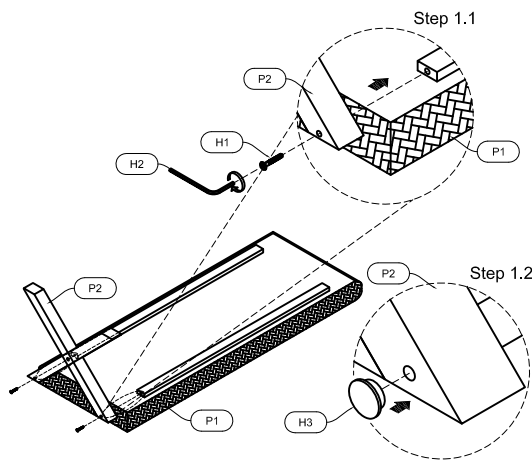
Hardware List

NO	DESCRIPTION	IMAGE	QTY
H1	BOLT (M6 x 50mm)		6
H2	ALLEN KEY		1
H3	WOODEN PLUG		6

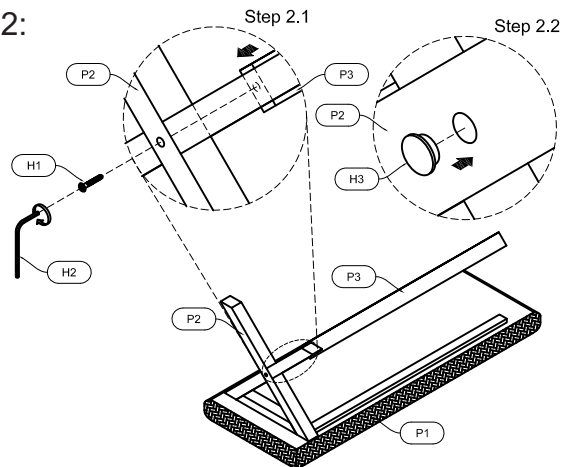
DISCLAIMER:

WHEN PROPERLY ASSEMBLED, THIS ITEM IS SAFE FOR INTENDED USE. SELLER IS NOT LIABLE FOR ANY DAMAGES RESULTING FROM ITEM BEING IMPROPERLY ASSEMBLED AFTER PURCHASE.

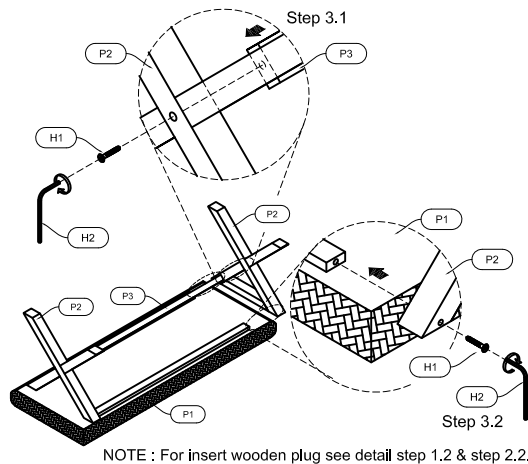
Step 1:



Step 2:

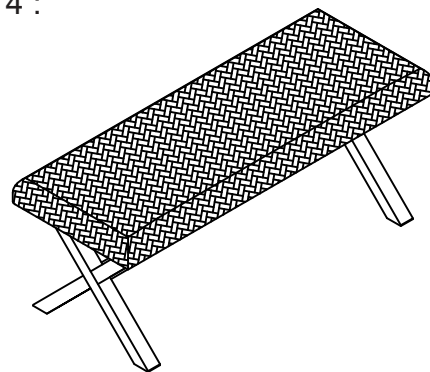


Step 3 :



NOTE : For insert wooden plug see detail step 1.2 & step 2.2.

Step 4 :



ASSEMBLY COMPLETED

ADDITIONAL NOTE ABOUT SAFETY: BOLTS MAY LOOSEN DURING NORMAL EVERYDAY USE. THEY SHOULD BE PERIODICALLY INSPECTED AND RE-TIGHTENED TO PREVENT DAMAGE OR INJURY. ALWAYS CHECK TO ENSURE THAT ALL HARDWARE IS KEPT TIGHTENED.

Thank you for your purchase