

ASSEMBLY INSTRUCTIONS

Adams Swivel Counter Stool

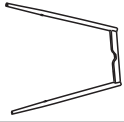
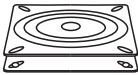
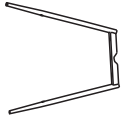
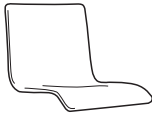
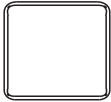
Important safety instructions:

- Please read carefully all instructions before assembling the table.
- For your safety and ease, assembly by two or more adults is recommended.
- Keep instructions for future use.

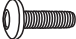



Pre-assembly:

- **Do not discard any content until assembly completed to avoid accidentally discarding small parts or hardware.**
- **Take out all parts and hardwares from box.**

Parts List

Item	Description		QTY	Item	Description		QTY
P1		LEG	1PC	P4		SWIVEL PLATE	1PC
P2		LEG	1PC	P5		CHAIR SEAT	1PC
P3		FOOTREST	1PC				

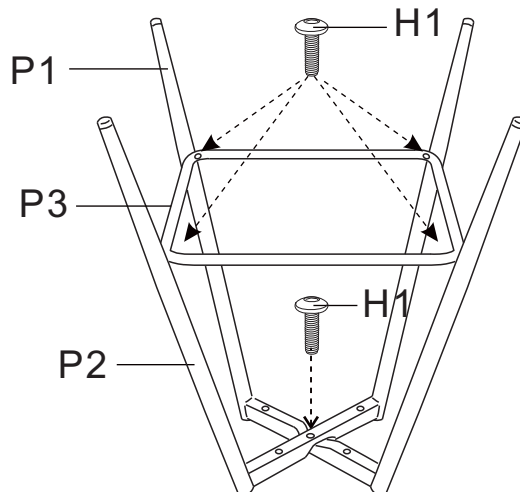
Hardware List

Item	Description		QTY	Item	Description		QTY
H1	1/4*1-3/16"		9PCS	H3	1/4*5/8"		2PCS
H2	1/4*1"		2PCS	H4	1/4"		1PC

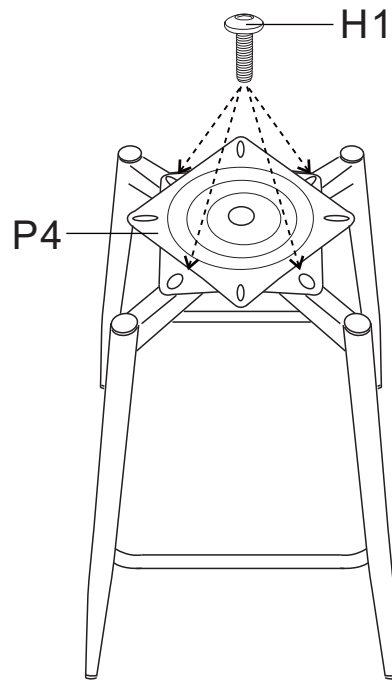
DISCLAIMER:

WHEN PROPERLY ASSEMBLED, THIS ITEM IS SAFE FOR INTENDED USE. SELLER IS NOT LIABLE FOR ANY DAMAGES RESULTING FROM ITEM BEING IMPROPERLY ASSEMBLED AFTER PURCHASE.

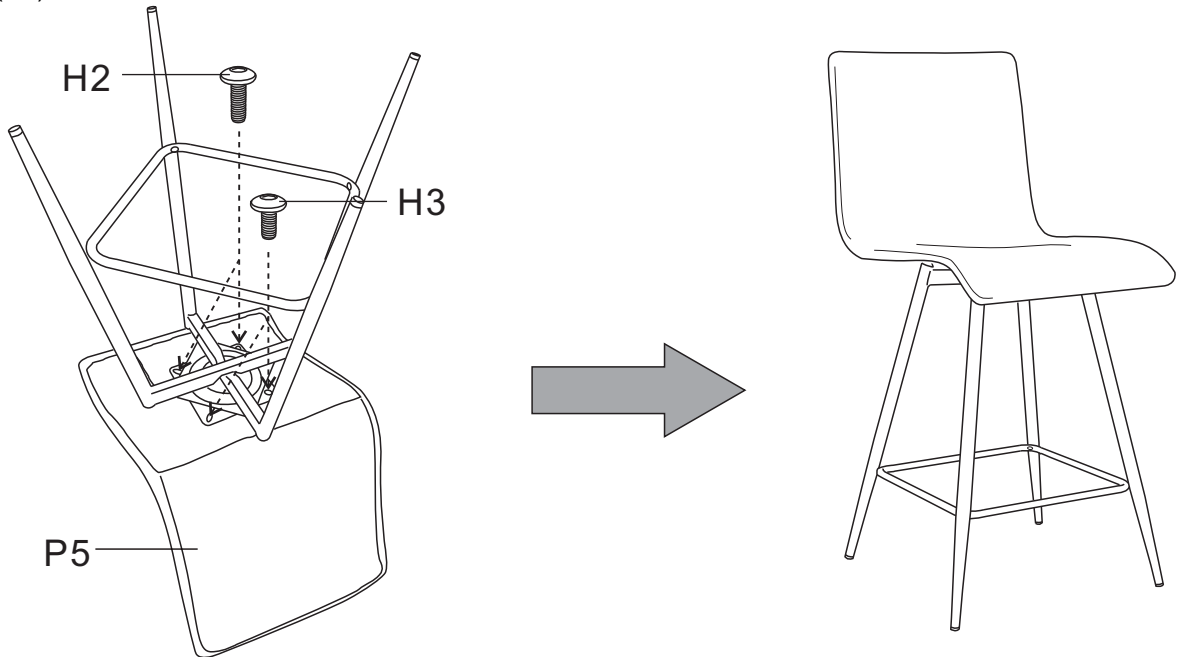
Step 1. Assemble the chair on a flat, soft surface such as a carpet or cloth to prevent scratching. Turn the legs upside down, put the footrest between four legs, fully tighten 5pcs bolts (H1) with allen wrench (H4) as illustration below.



Step 2. Place the base on a level surface, put the swivel plate (P4) on the top of base, fully tighten 4 pcs bolts (H1) with allen wrench (H4) as illustration below.



Step 3. Turn the chair seat (P5) upside down, fully tighten 2 pcs bolts (H2) and 2 pcs bolts (H3) with allen wrench (H4) as illustration below.



ADDITIONAL NOTE ABOUT SAFETY: BOLTS MAY LOOSEN DURING NORMAL EVERYDAY USE. THEY SHOULD BE PERIODICALLY INSPECTED AND RE-TIGHTENED TO PREVENT DAMAGE OR INJURY. ALWAYS CHECK TO ENSURE THAT ALL HARDWARE IS KEPT TIGHTENED.

Thank you for your purchase