

ASSEMBLY INSTRUCTIONS

Description: Sofia counter stool

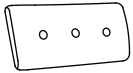




Important safety instructions:

- Please read carefully all instructions before assembly.
- For your safety and ease, assembly by two or more adults is recommended.
- Keep instructions for future use.






Pre-assembly:

- Do not discard any content until assembly is complete to avoid accidentally discarding small parts or hardware.
- Take out all parts and hardware from box.

Parts List

Item	Description	QTY
P1	 Back Cushion	1PC
P2	 Connection	1PC
P3	 Seat Cushion	1PC
P4	 Legs	4PC
P5	 Foot Rest	1PC

Hardware List

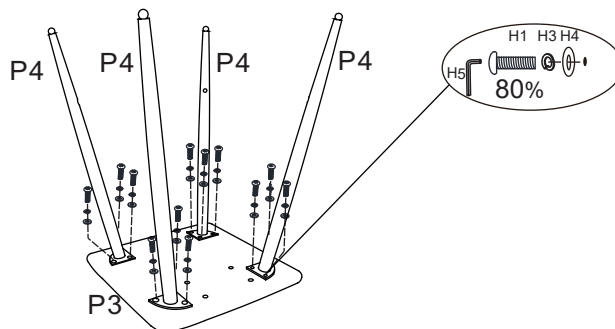
Item	Description	QTY
H1	M6*25MM 	16PCS
H2	M6*30MM 	8PCS
H3	(Ø6+Ø10)*2MM 	16PCS
H4	(Ø6+Ø16)*1MM 	16PCS
H5	M6 	1PC

DISCLAIMER:

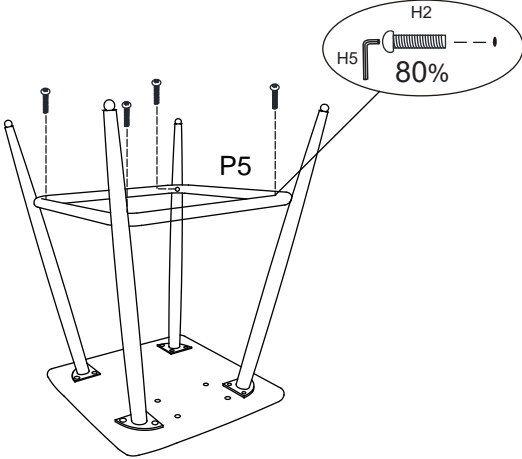
WHEN PROPERLY ASSEMBLED, THIS ITEM IS SAFE FOR INTENDED USE. SELLER IS NOT LIABLE FOR ANY DAMAGES RESULTING FROM ITEM BEING IMPROPERLY ASSEMBLED AFTER PURCHASE.

Assembly Procedures:

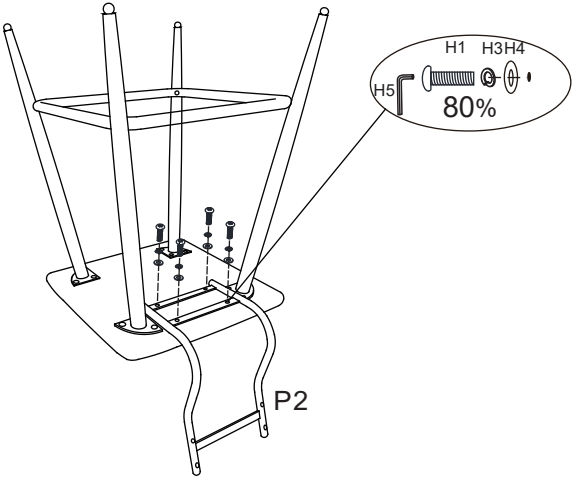
Step 1. Assemble the counter stool on a flat, soft surface such as a carpet or cloth prevent scratching. Turn the seat cushion (P3) upside down, connect the legs(P4), 80% tighten bolts(H1) washer (H3&H4) with allen(H5).



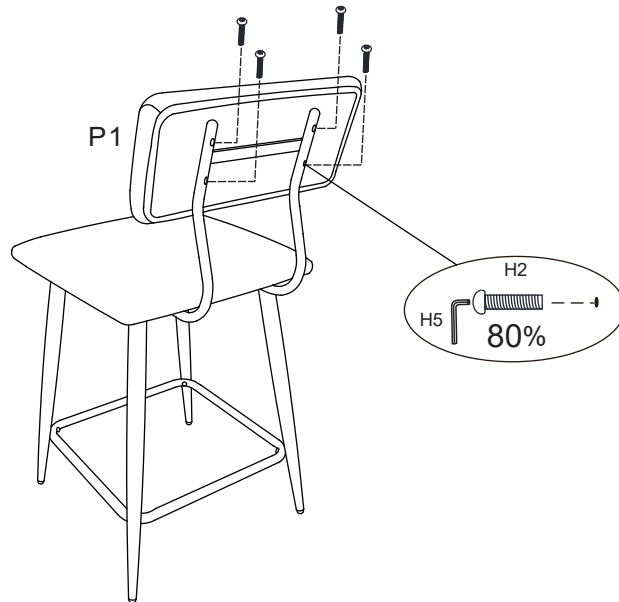
Step 2. Incernt the foot rest(P5), 80% tighten bolts(H2) with allen(H5).



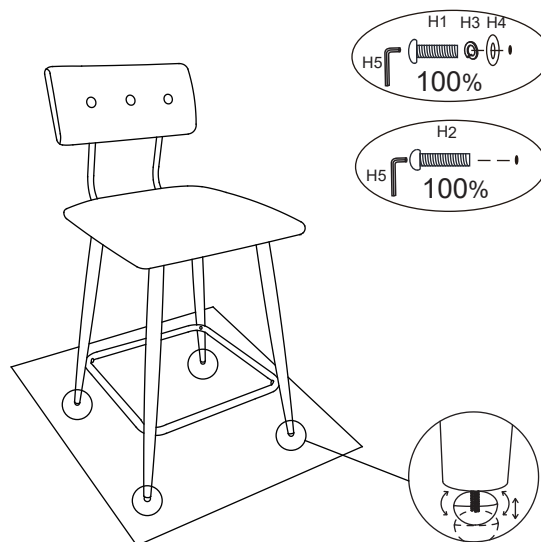
Step 3. Put on the connection (P2), 80% tighten bolts(H1), washer(H3&H4) with allen(H5).



Step 4. Put the chair on a level surface, 80% tighten bolts(H2) with allen (H5) to connect the back cushion as illustration below.



Step 5. Adjust levelers (as drawing) as necessary. Fully tighten the bolts as illustration below.



ADDITIONAL NOTE ABOUT SAFETY: BOLTS MAY LOOSEN DURING NORMAL EVERYDAY USE. THEY SHOULD BE PERIODICALLY INSPECTED AND RE-TIGHTENED TO PREVENT DAMAGE OR INJURY. ALWAYS CHECK TO ENSURE THAT ALL HARDWARE IS KEPT TIGHTENED.

Thank you for your purchase