

# ASSEMBLY INSTRUCTIONS

**Description:** Lounge Chair





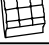
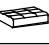

**Important safety instructions:**

- Please read carefully all instructions before assembly.
- For your safety and ease, assembly by two or more adults is recommended.
- Keep instructions for future use.









**Pre-assembly:**

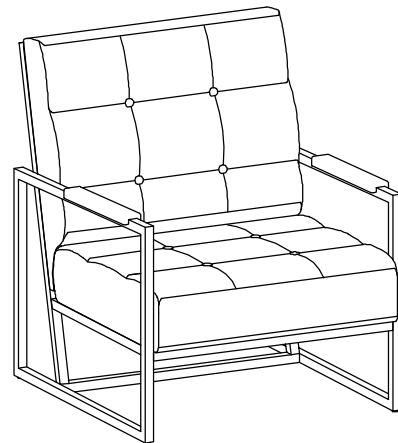
- Do not discard any content until assembly is complete to avoid accidentally discarding small parts or hardware.
- Take out all parts and hardware from box.

**Parts List**

Item	Description		QTY
P1	Back Metal Frame		1
P2	Seat Metal Frame		1
P3	Left Side Metal Frame		1
P4	Right Side Metal Frame		1
P5	Back Cushion		1
P6	Seat Cushion		1
P7	Upholstery Arm Rests		2

**Hardware List**

Item	Description		QTY
H1	Bolts Ø1/4" x1/2"L		8
H2	Bolts Ø1/4"x1-3/16"L		8
H3	Bolts Ø1/4"x1-1/2"L		6
H4	Bolts Ø1/4"x2-3/8" L		2
H5	Lock Washers Ø1/4"		4
H6	Flat Washers Ø1/4"*22mm		2
H7	Allen Wrench 1/4"		1
H8	Flat Washers Ø1/4"*16mm		2



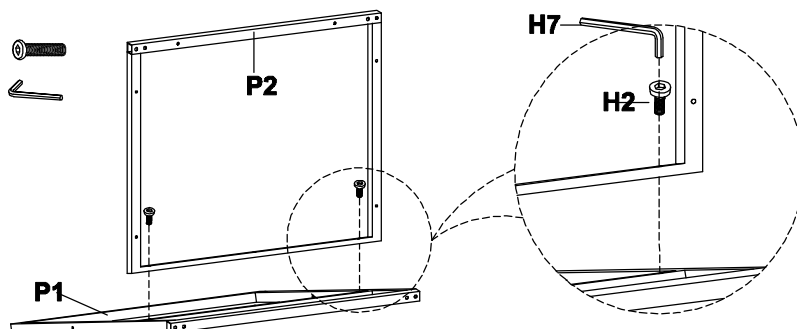
**DISCLAIMER:**

WHEN PROPERLY ASSEMBLED, THIS ITEM IS SAFE FOR INTENDED USE. SELLER IS NOT LIABLE FOR ANY DAMAGES RESULTING FROM ITEM BEING IMPROPERLY ASSEMBLED AFTER PURCHASE.

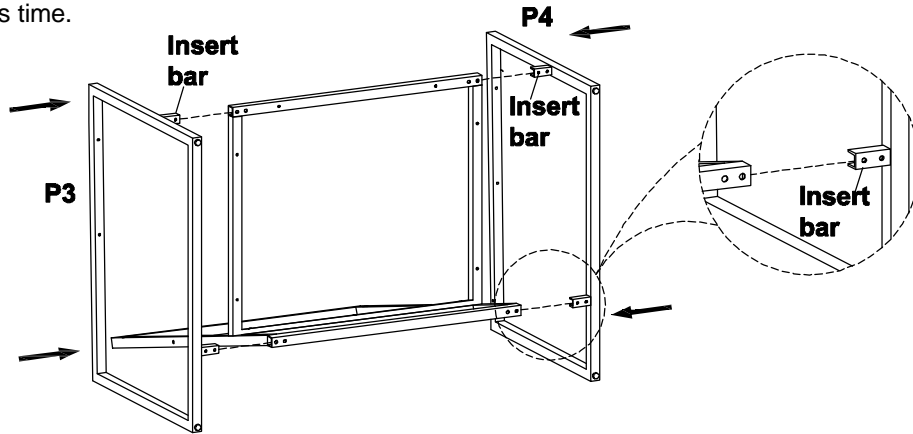
**Assembly Procedures:**

Step 1. Assemble the lounge chair on a flat, soft surface such as a carpet or cloth to prevent scratching the finish. Attach the seat metal frame(P2) to the back metal frame (P1) using bolts (H2). Loosely tighten by Allen wrench (H7).

- (H2)x2 Bolts Ø1/4"x1-3/16"L
- (H7)x1 Allen Wrench 1/4"






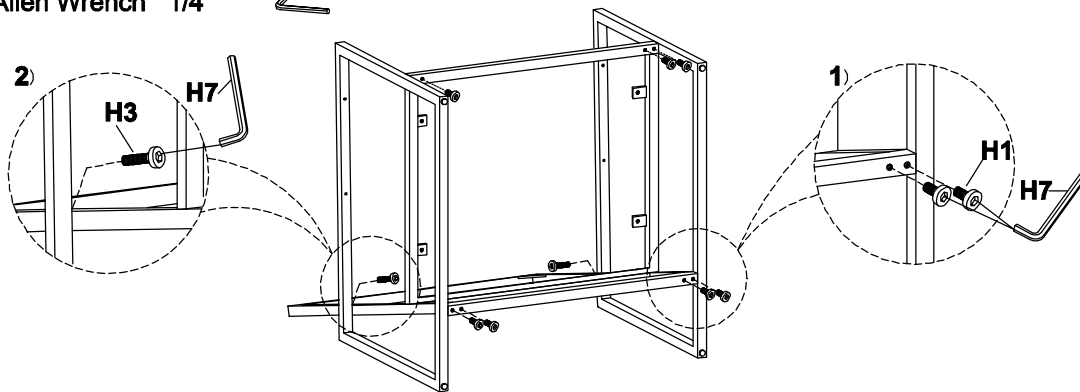
Step 2. Place left side metal frame (P3) and right side metal frame (P4) to seat metal frame (P2) and the back metal frame (P1), aligning insert the bar on side metal frames (P3 & P4) to the holes on the seat metal frame (P2), do not tighten at this time.







Step 3.

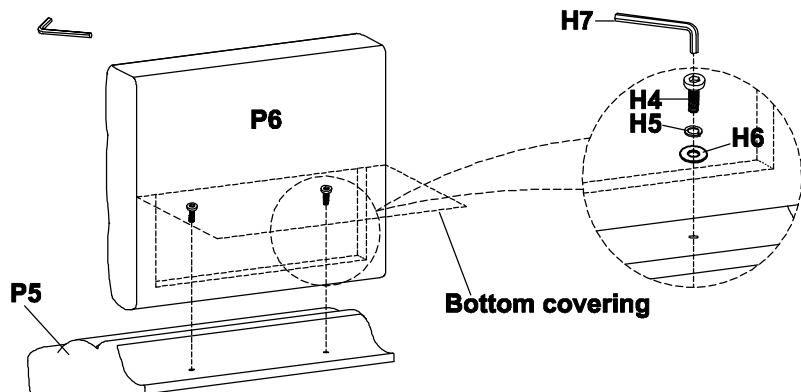
- 1) Attach left side metal frame (P3) and right side metal frame (P4) to seat metal frame (P2) using bolts (H1).
- 2) Attach left side metal frame (P3) and right side metal frame (P4) to the back metal frame (P1) using bolts (H3).
- 3) Securely tighten all bolts by Allen wrench (H7).

- (H1)x8 Bolts  $\text{\O}1/4"$  x1/2"L 
- (H3)x2 Bolts  $\text{\O}1/4"$  x1-1/2"L 
- (H7)x1 Allen Wrench 1/4" 







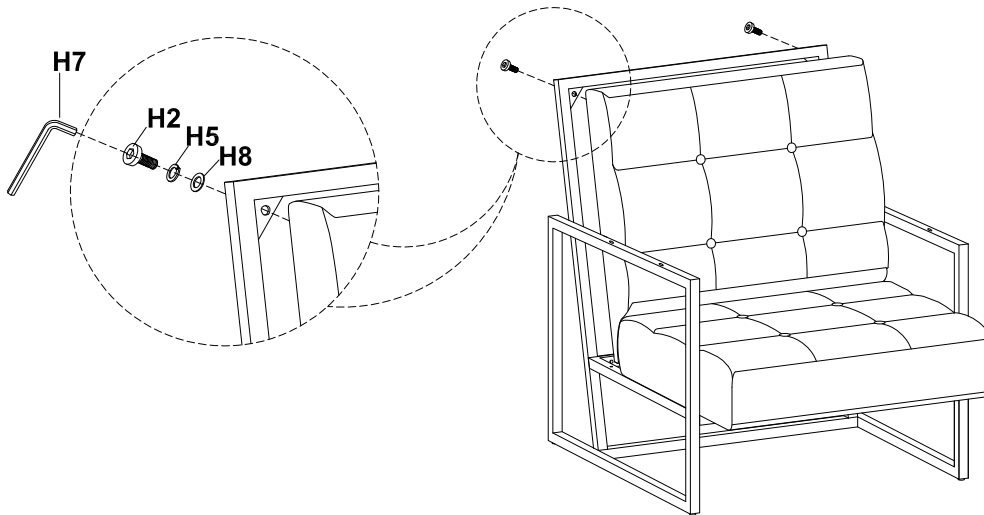
Step 4. Open bottom covering and attach the seat cushion (P6) to the back cushion (P5) using bolt (H4) as shown below. Securely tighten all bolts by Allen wrench (H7).

- (H4)x2 Bolts  $\text{\O}1/4"$  x2-3/8" L 
- (H5)x2 Lock Washers  $\text{\O}1/4"$  
- (H6)x2 Flat Washers  $\text{\O}1/4"$  \*22mm 
- (H7)x1 Allen Wrench 1/4" 






Step 5. Hold the assembled seat cushion and back cushion by two or more adults is recommended. Lock the back of back cushion (P5) on the back metal frame (P1) using bolts (H2). Loosely tighten all the bolts by Allen wrench (H7).

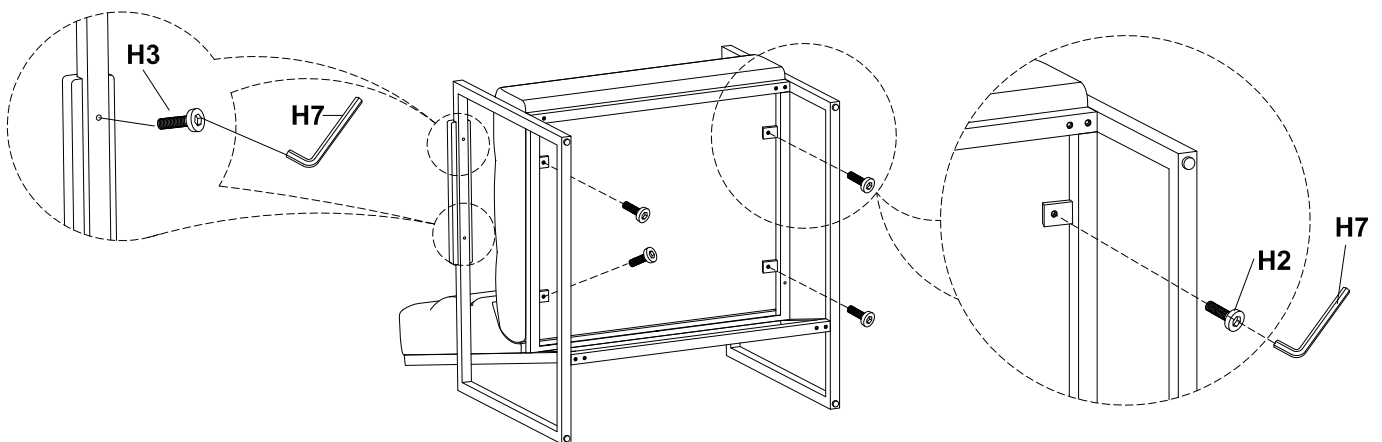
- (H2)x2 Bolts Ø1/4"x1-3/16"L 
- (H5)x2 Lock Washers Ø1/4" 
- (H8)x2 Flat Washers Ø1/4"\*16mm 
- (H7)x1 Allen Wrench 1/4" 



Step 6.

- 1) Securely tighten all bolts by Allen wrench (H7), but do not over tighten. Lay the lounge chair back on the floor, then attach the seat metal frame (P2) to seat cushion (P6) using bolts (H2) as shown below. Securely tighten all bolts by Allen wrench (H7).
- 2) Attach the upholstery arm rests (P7) to the left/right side metal frame (P3/P4) using bolts (H3). Securely tighten by Allen wrench (H7).

- (H2)x4 Bolts Ø1/4"x1-3/16"L 
- (H3)x4 Bolts Ø1/4"x1-1/2"L 
- (H7)x1 Allen Wrench 1/4" 



**ADDITIONAL NOTE ABOUT SAFETY:**

**BOLTS MAY LOOSEN DURING NORMAL EVERYDAY USE.**

**THEY SHOULD BE INSPECTED AT LEAST EVERY 3 MONTHS AND RE-TIGHTENED AS NEEDED TO PREVENT DAMAGE OR INJURY, AND ENSURE STABILITY.**

Thank you for your purchase