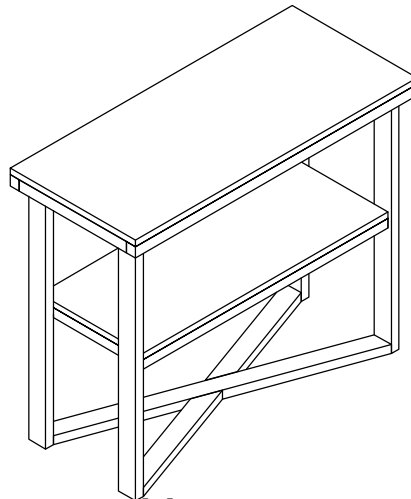


ASSEMBLY INSTRUCTIONS

Reagan End Table



CHAPEL·HILL

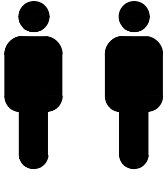

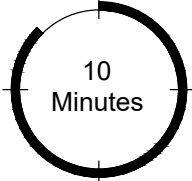


Please read below before assembly

- Assemble the product on a flat, soft surface such as a carpet or cloth to prevent scratching the finish.
- Do not discard any content until assembly is complete to avoid accidentally discarding small parts or hardware.
- Take out all parts and hardware from box.
- Failure to follow these instructions may cause the bolts to misalign during assembly.

DISCLAIMERS:

- WHEN PROPERLY ASSEMBLED, THIS ITEM IS SAFE FOR INTENDED USE. SELLER IS NOT LIABLE FOR ANY DAMAGES RESULTING FROM ITEM BEING IMPROPERLY ASSEMBLED AFTER PURCHASE.
- BOLTS MAY LOOSEN DURING NORMAL EVERYDAY USE. THEY SHOULD INSPECTED AT LEAST EVERY 3 MONTHS AND RE-TIGHTENED AS NEEDED TO PREVENT DAMAGE OR INJURY AND ENSURE STABILITY.

 <p>PEOPLE</p>	 <p>75 50 lbs top lbs shelf WEIGHT LIMIT</p>	 <p>10 Minutes</p> <p>ESTIMATED TIME</p>
---	---	---

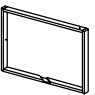
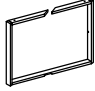
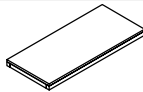
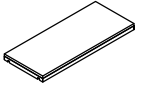
Important safety Instructions :

- Please carefully read all instructions before assembling.
- For your safety, assembly by two or more adults is recommended.
- Keep instructions for furniture use.




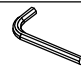
Pre-Assembly

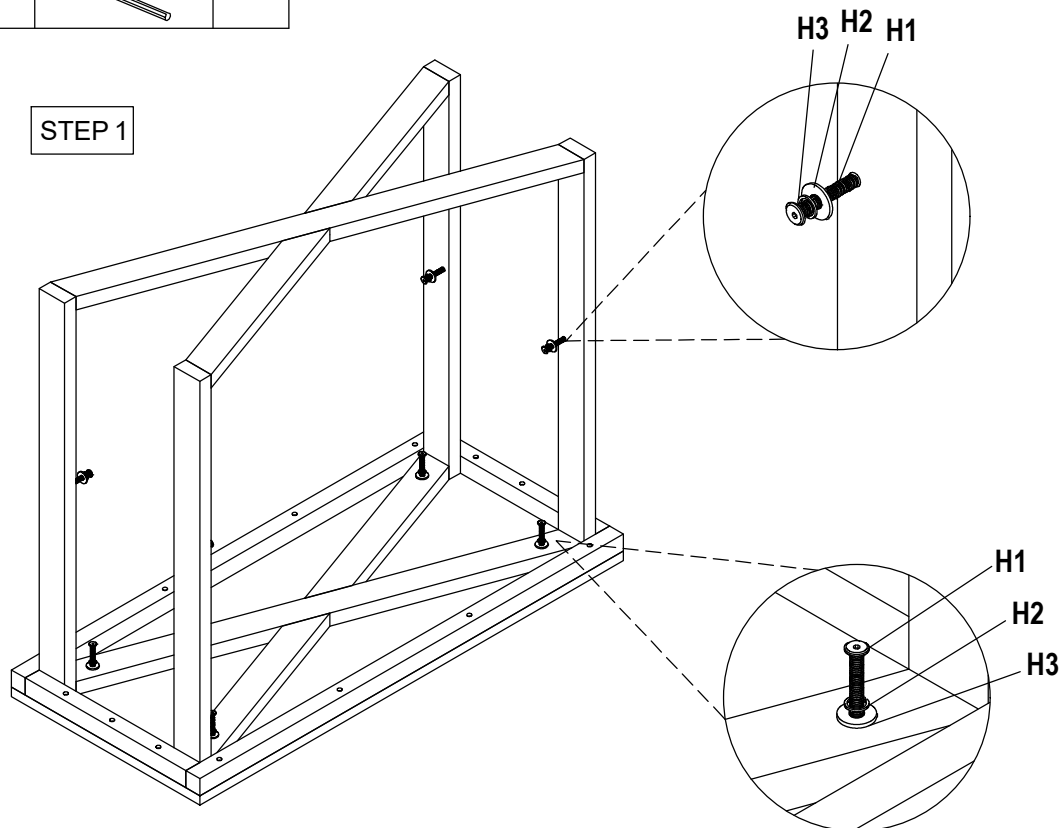
- Do not discard any cotarts until after assembly is complete to avoid accidentally discarding small parts or hardware.
- Remove all parts and hardware form box along with any plastic protective packing.

PART LIST

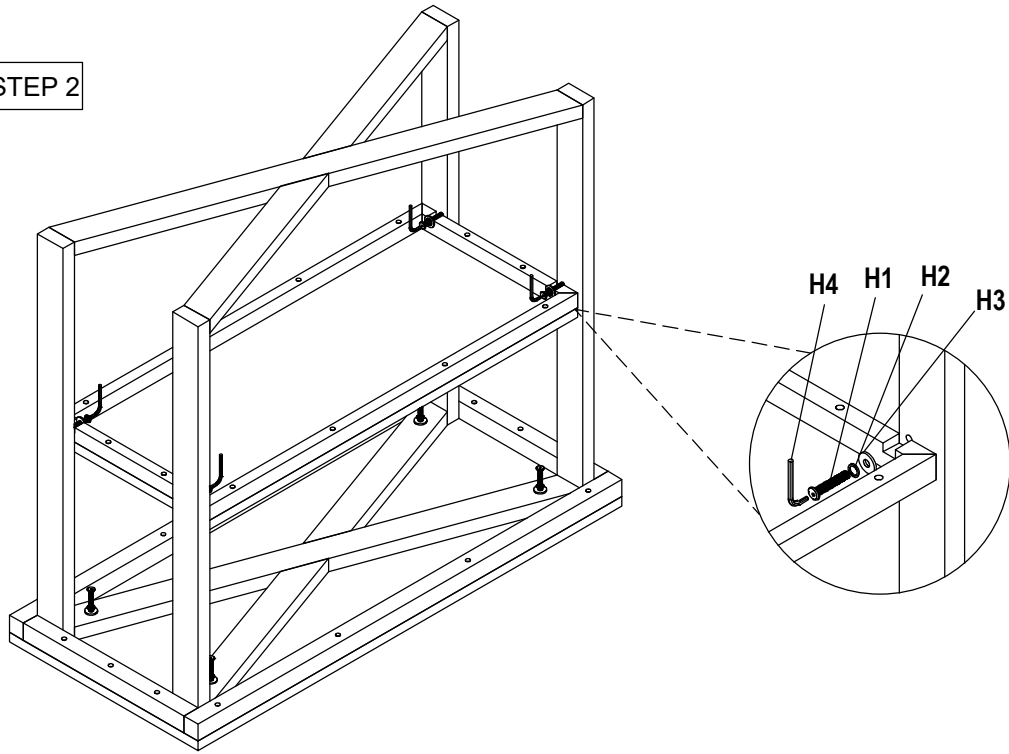
Item	Description	QTY
P1	Legs A 	1 Pc
P2	Legs B 	1 Pc
P3	Top 	1 Pc
P4	Shelf 	1 Pc

HARDWARE LIST

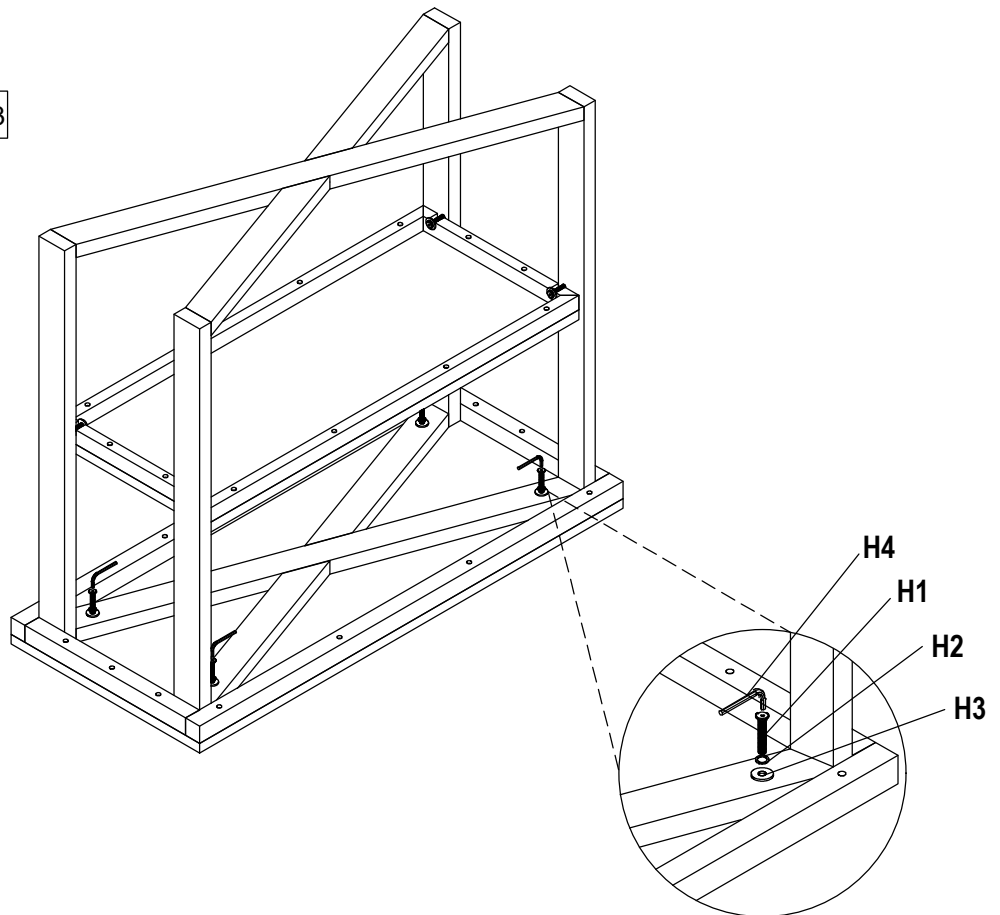
Item	Description	QTY
H1	JCBC M8 x 40mm 	8 Pcs
H2	Spring Washer 	8 Pcs
H3	Plat Washer 	8 Pcs
H4	Allen Key L4 	1 Pc



STEP 2



STEP 3



Care & Maintenance

Do...



Wipe up spills immediately.



Dust and pick-up spills using a clean, non-colored, lint-free, dry cloth.



Use mild non-abrasive soap and water.

Don't...



Do not put hot items directly on furniture surface.



Do not clean furniture with harsh cleansers or polish.



Do not place furniture in direct sunlight.



Do not place furniture near heating or cooling vents.



Do not write on furniture without a padded barrier to protect the surface.



Do not place furniture outside. For indoor use only.