

# ASSEMBLY INSTRUCTIONS

Description: Laurel Desk

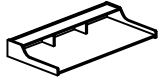



## Important safety instructions:

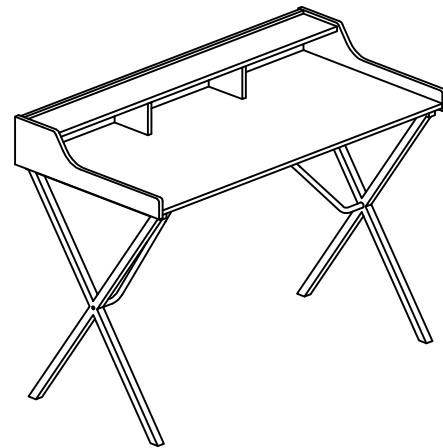
- Please read carefully all instructions before assembly.
- For your safety and ease, assembly by two or more adults is recommended.
- Keep instructions for future use.

## Pre-assembly:

- Do not discard any content until assembly is complete to avoid accidentally discarding small parts or hardware.
- Take out all parts and hardware from box.

## Parts List

Item	Description	QTY
P1	Top Frame 	1
P2	Support Rail 	1
P3	Leg Metal Frame 	2
P4	Stretcher 	2



## Hardware List





Item	Description	QTY
H1	Bolts Ø1/4" x 15mm L 	2
H2	Bolts Ø1/4" x 38mm L 	8
H3	Lock Washers Ø1/4" 	10
H4	Flat Washers Ø1/4" 	10
H5	Allen Wrench M4 	1
H6	Plastic Cap Ø15mm 	4

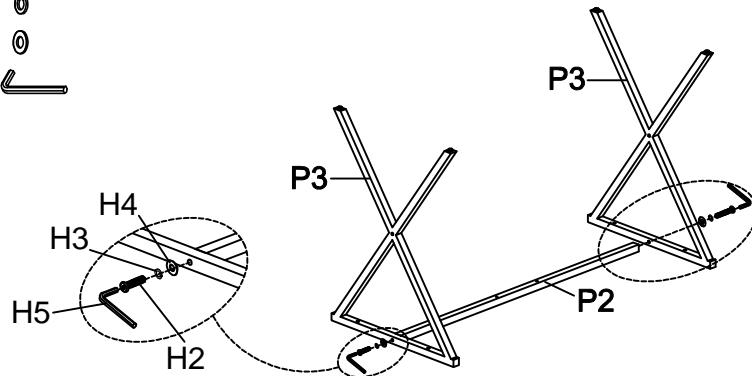
## DISCLAIMER:

WHEN PROPERLY ASSEMBLED, THIS ITEM IS SAFE FOR INTENDED USE. SELLER IS NOT LIABLE FOR ANY DAMAGES RESULTING FROM ITEM BEING IMPROPERLY ASSEMBLED AFTER PURCHASE.






## Assembly Procedures:

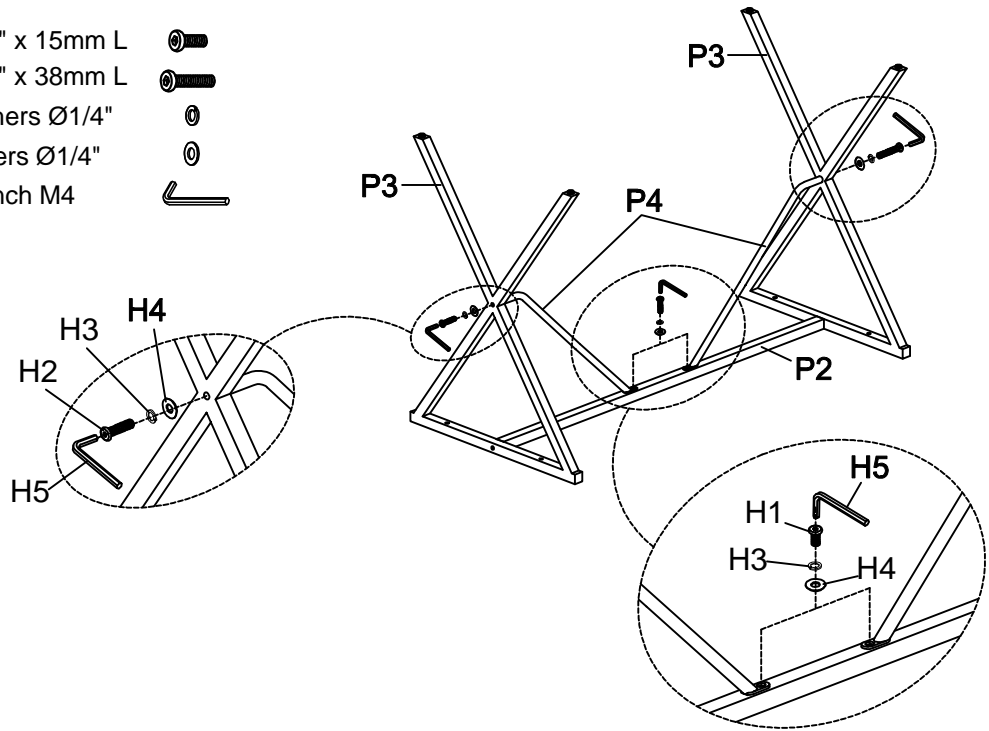
Step 1. Assemble the Leg Metal Frame on a flat, soft surface such as carpet or cloth to prevent scratching the finish. Attach the Leg Metal Frame (P3) to the Support Rail (P2) fully tighten bolts, as shown below.

- (H2)x2 Bolts Ø1/4" x 38mm L 
- (H3)x2 Lock Washers Ø1/4" 
- (H4)x2 Flat Washers Ø1/4" 
- (H5)x1 Allen Wrench M4 



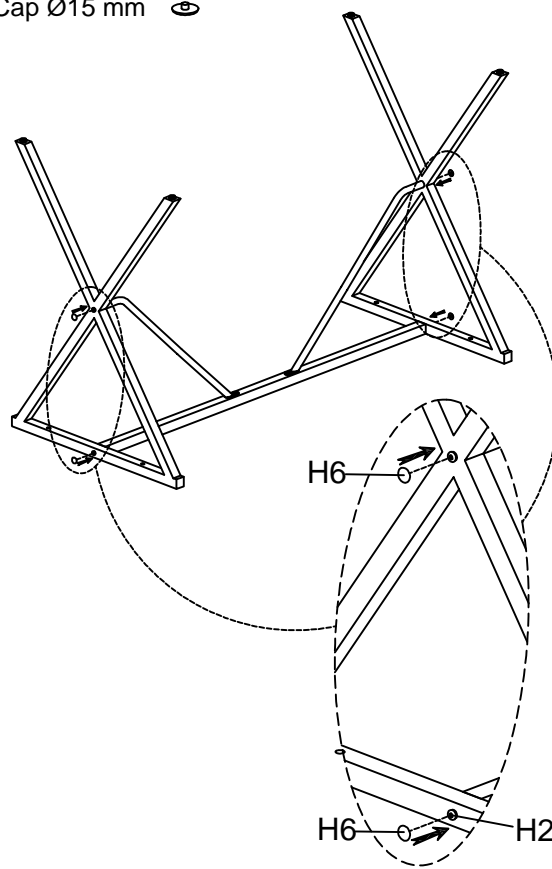
**Step 2:** Attach the Stretcher (P4) to the Leg Metal Frame (P3) and the Support Rail (P2) fully tighten bolts, as shown below.

- (H1)x2 Bolts Ø1/4" x 15mm L 
- (H2)x2 Bolts Ø1/4" x 38mm L 
- (H3)x4 Lock Washers Ø1/4" 
- (H4)x4 Flat Washers Ø1/4" 
- (H5)x1 Allen Wrench M4 







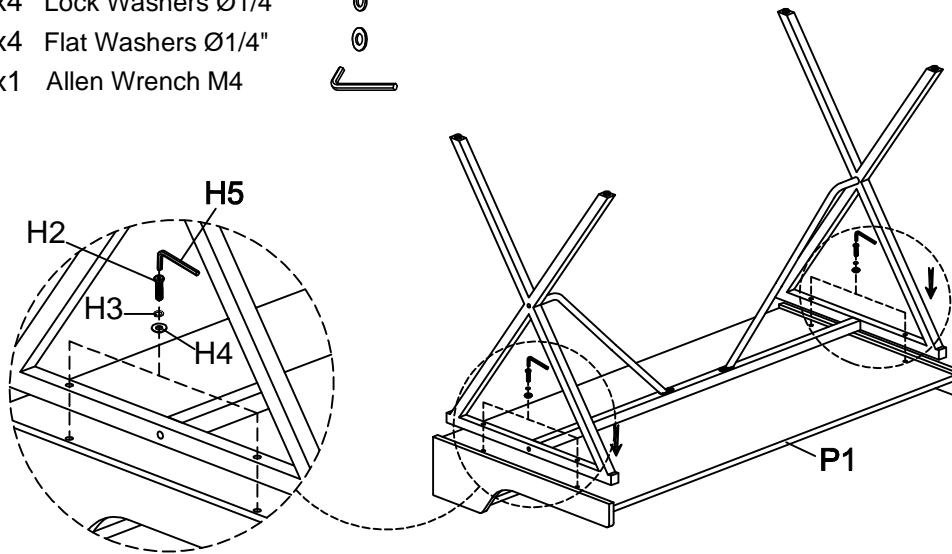
**Step 3:** Put the Plastic Cap (H6) into hole the Bolts (H2) as shown below

- (H6)x4 Plastic Cap Ø15 mm 



**Step 4:** Assemble the Desk on a flat, soft surface such as carpet or cloth to prevent scratching the finish. Attach the Metal frame to the Top Frame (P1) fully tighten bolts, as shown below.

- (H2)x4 Bolts  $\varnothing 1/4"$  x 38mm L 
- (H3)x4 Lock Washers  $\varnothing 1/4"$  
- (H4)x4 Flat Washers  $\varnothing 1/4"$  
- (H5)x1 Allen Wrench M4 



**Step 5:**

- 1) Turn the assembled table to an upright position.
- 2) Assembly is complete. Failure to follow these instructions may cause the bolts to miss align during assembly.



Please adjust the Leveler up or down under each leg until desk is level.

**ADDITIONAL NOTE ABOUT SAFETY: BOLTS MAY LOOSEN DURING NORMAL EVERYDAY USE. THEY SHOULD BE PERIODICALLY INSPECTED AND RE-TIGHTENED TO PREVENT DAMAGE OR INJURY. ALWAYS CHECK TO ENSURE THAT ALL HARDWARE IS KEPT TIGHTENED.**

Thank you for your purchase