

ASSEMBLY INSTRUCTIONS

Description: Carlyle Desk

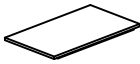
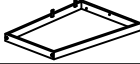
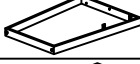

Important safety instructions:

- Please read carefully all instructions before assembly.
- For your safety and ease, assembly by two or more adults is recommended.
- Keep instructions for future use.






Pre-assembly:

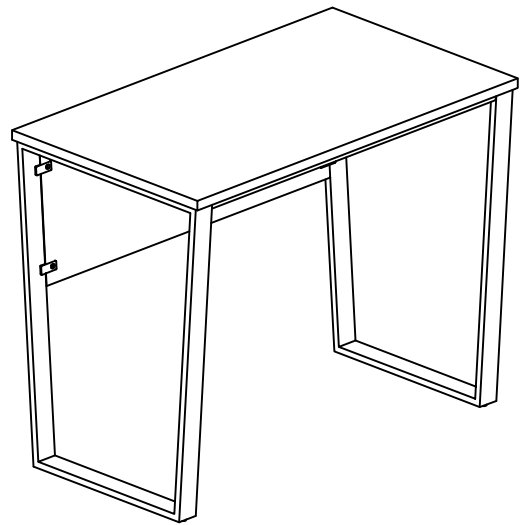
- Do not discard any content until assembly is complete to avoid accidentally discarding small parts or hardware.
- Take out all parts and hardware from box.

Parts List

Item	Description	QTY
P1	Top Frame 	1
P2	Right Leg Frame 	1
P3	Left Leg Frame 	1
P4	Back Panel 	1

Hardware List

Item	Description	QTY
H1	Bolts Ø1/4" x 15mm L 	4
H2	Bolts Ø1/4" x 30mm L 	10
H3	Lock Washers Ø1/4" 	14
H4	Flat Washers Ø1/4" 	14
H5	Allen Wrench M4 	1







DISCLAIMER:

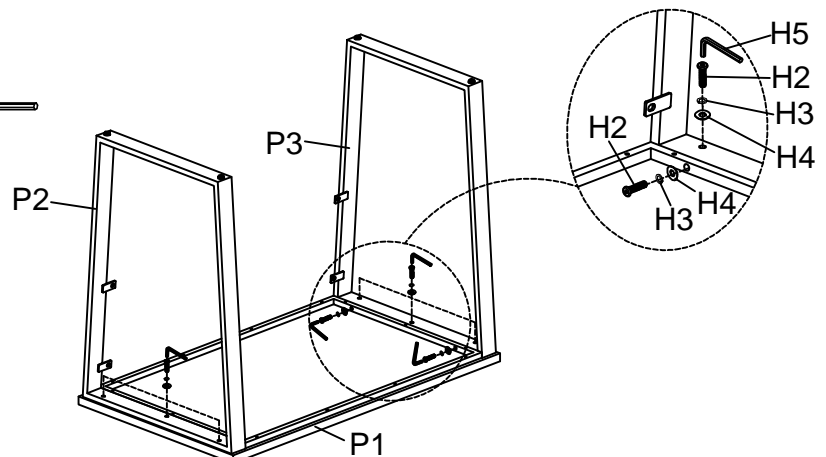
WHEN PROPERLY ASSEMBLED, THIS ITEM IS SAFE FOR INTENDED USE. SELLER IS NOT LIABLE FOR ANY DAMAGES RESULTING FROM ITEM BEING IMPROPERLY ASSEMBLED AFTER PURCHASE.

Assembly Procedures:





Step 1. Assemble the Desk on a flat, soft surface such as carpet or cloth to prevent scratching the finish.

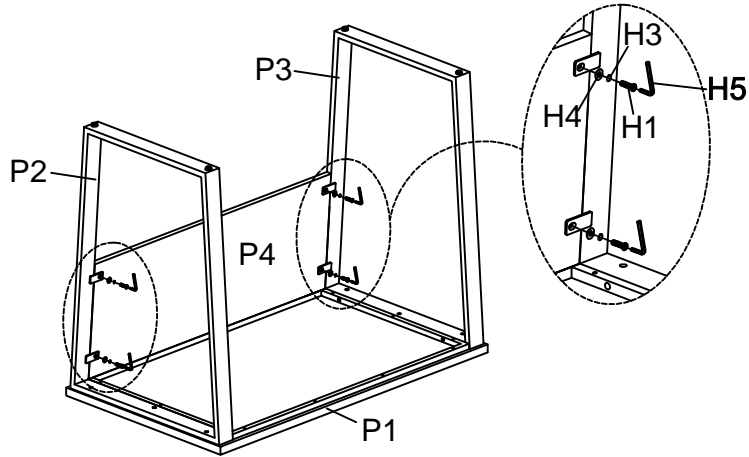
Attach the Right Leg Frame (P2) and the Left Leg Frame (P3) to the Top Frame (P1) do not fully tighten bolts, as shown below.

- (H2)x10 Bolts Ø1/4" x 30mm L 
- (H3)x10 Lock Washers Ø1/4" 
- (H4)x10 Flat Washers Ø1/4" 
- (H5)x1 Allen Wrench M4 



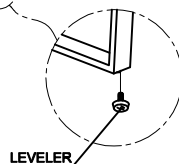
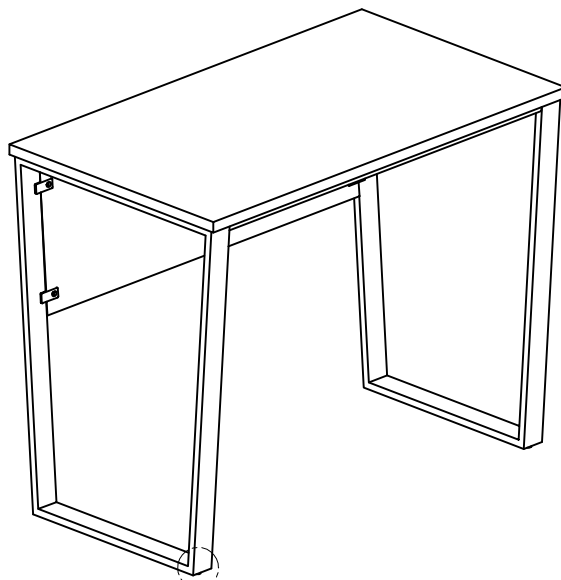
Step 2: Loosely attach the Back Panel (P4) to the Leg Frame (P2 & P3) as shown below.

- (H1)x4 Bolts \varnothing 1/4" x 15mm L 
- (H3)x4 Lock Washers \varnothing 1/4" 
- (H4)x4 Flat Washers \varnothing 1/4" 
- (H5)x1 Allen Wrench M4 



Step 3:

- 1) Securely tighten all the Bolts with Allen Wrench (H5).
- 2) Turn the assembled table to an upright position.
- 3) Assembly is complete. Failure to follow these instructions may cause the bolts to miss align during assembly.



To adjust the adjustable leveler. If there is a gap between a leg and the floor, please adjust the adjustable leveler up or down under each leg.

ADDITIONAL NOTE ABOUT SAFETY: BOLTS MAY LOOSEN DURING NORMAL EVERYDAY USE. THEY SHOULD BE PERIODICALLY INSPECTED AND RE-TIGHTENED TO PREVENT DAMAGE OR INJURY. ALWAYS CHECK TO ENSURE THAT ALL HARDWARE IS KEPT TIGHTENED.

Thank you for your purchase