

# ASSEMBLY INSTRUCTIONS

Description: Monarch Coffee Table






## Important safety instructions:

- Please read carefully all instructions before assembly.
- For your safety and ease, assembly by two or more adults is recommended.
- Keep instructions for future use.




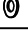

## Pre-assembly:

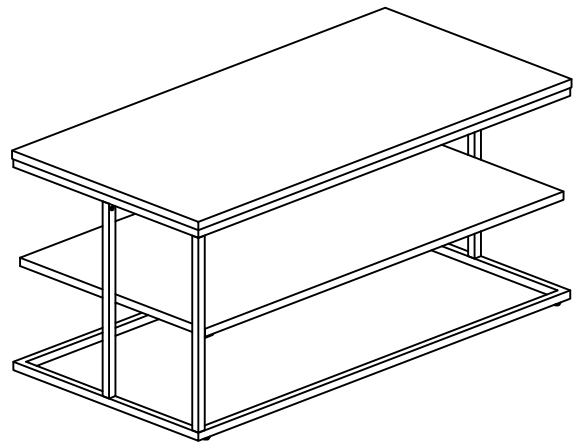
- Do not discard any content until assembly is complete to avoid accidentally discarding small parts or hardware.
- Take out all parts and hardware from box.

## Parts List

Item	Description	QTY
P1	Top Frame 	1
P2	Right Leg 	2
P3	Left Leg 	2
P4	Shelf Panel 	1
P5	Bottom Metal Frame 	1

## Hardware List

Item	Description	QTY
H1	Bolts Ø1/4" x 15mm L 	8
H2	Bolts Ø1/4" x 30mm L 	4
H3	Lock Washers Ø1/4" 	12
H4	Flat Washers Ø1/4" 	12
H5	Allen Wrench M4 	1







## DISCLAIMER:

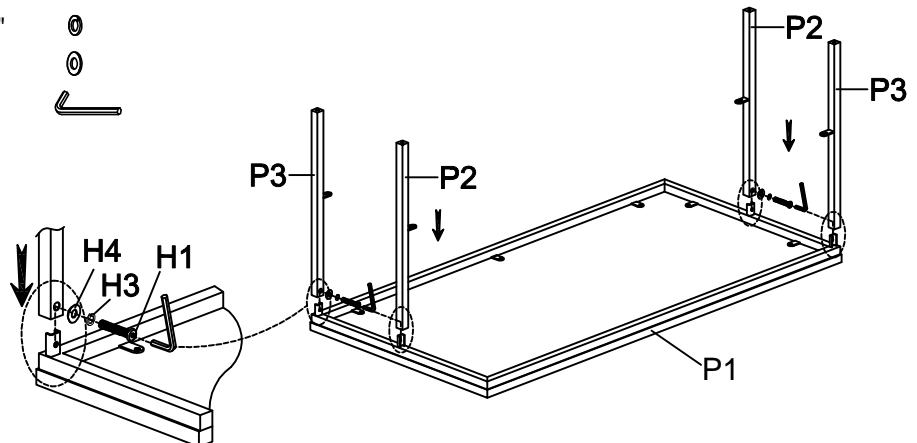
WHEN PROPERLY ASSEMBLED, THIS ITEM IS SAFE FOR INTENDED USE. SELLER IS NOT LIABLE FOR ANY DAMAGES RESULTING FROM ITEM BEING IMPROPERLY ASSEMBLED AFTER PURCHASE.

## Assembly Procedures:





Step 1. Assemble the Table on a flat, soft surface such as carpet or cloth to prevent scratching the finish.

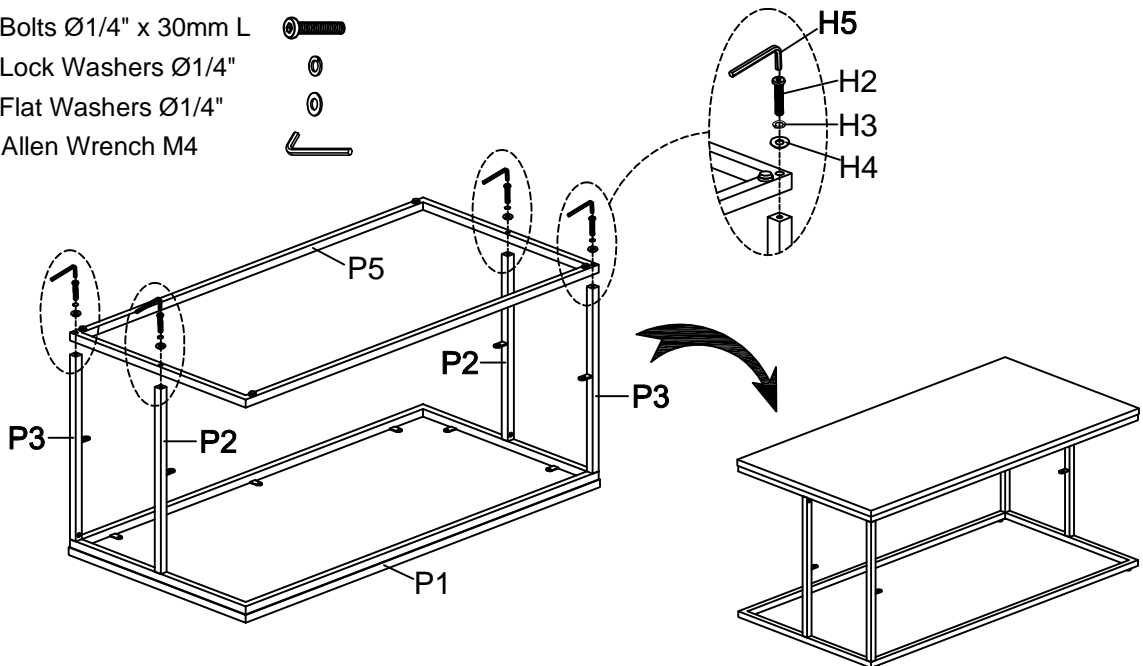
Attach the Right Legs (P2) and the Left Legs (P3) to the Top Frame (P1) fully tighten bolts as shown below.

- (H1)x4 Bolts Ø1/4" x 15mm L 
- (H3)x4 Lock Washers Ø1/4" 
- (H4)x4 Flat Washers Ø1/4" 
- (H5)x1 Allen Wrench M4 







**Step 2:** Attach the Bottom Metal Frame (P5) to the four Legs (P2 & P3) fully tighten bolts as shown below then turn the assembled table to an upright position.

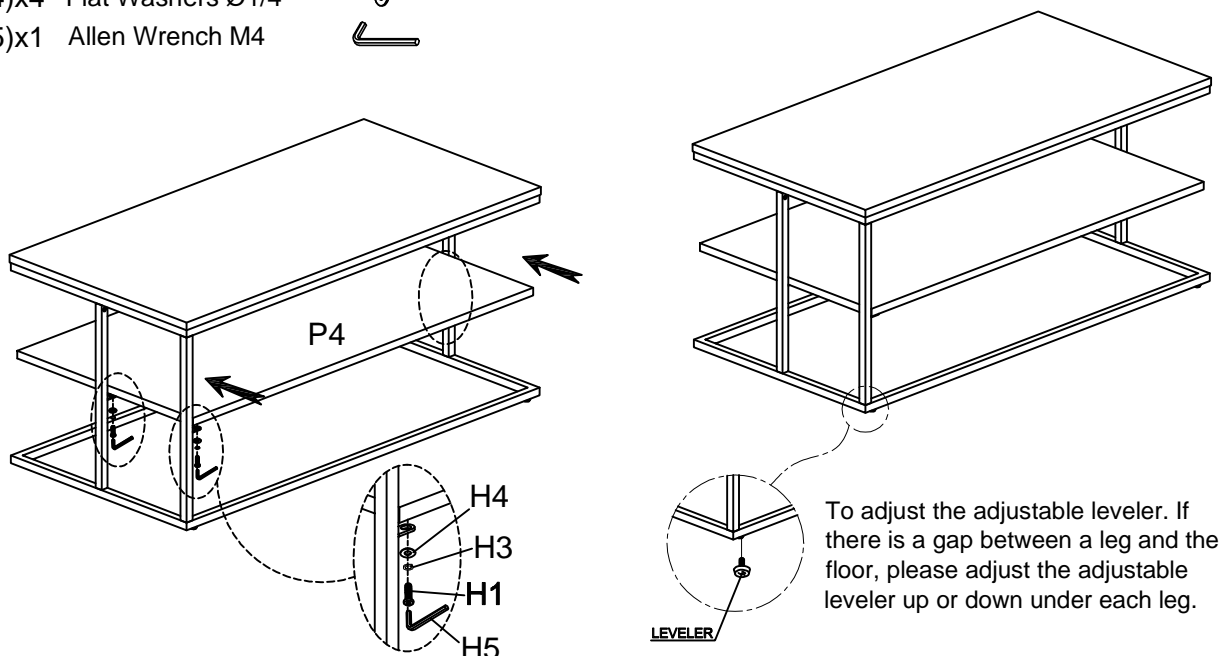
- (H2)x4 Bolts  $\varnothing 1/4"$  x 30mm L 
- (H3)x4 Lock Washers  $\varnothing 1/4"$  
- (H4)x4 Flat Washers  $\varnothing 1/4"$  
- (H5)x1 Allen Wrench M4 



**Step 3:**

- 1) Put and attach the Shelf Panel (P4) on the connecting iron piece of the table Legs (P2 & P3) fully tighten bolts, as shown below.
- 2) Assembly is complete. Failure to follow these instructions may cause the bolts to miss align during assembly.

- (H1)x4 Bolts  $\varnothing 1/4"$  x 15mm L 
- (H3)x4 Lock Washers  $\varnothing 1/4"$  
- (H4)x4 Flat Washers  $\varnothing 1/4"$  
- (H5)x1 Allen Wrench M4 



**ADDITIONAL NOTE ABOUT SAFETY: BOLTS MAY LOOSEN DURING NORMAL EVERYDAY USE. THEY SHOULD BE PERIODICALLY INSPECTED AND RE-TIGHTENED TO PREVENT DAMAGE OR INJURY. ALWAYS CHECK TO ENSURE THAT ALL HARDWARE IS KEPT TIGHTENED.**

Thank you for your purchase