

ASSEMBLY INSTRUCTIONS

Description: JAMESON NIGHTSTAND



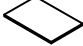
Important safety instructions:

- Please read carefully all instructions before assembly.
- For your safety and ease, assembly by two or more adults is recommended.
- Keep instructions for future use.





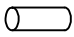
Pre-assembly:

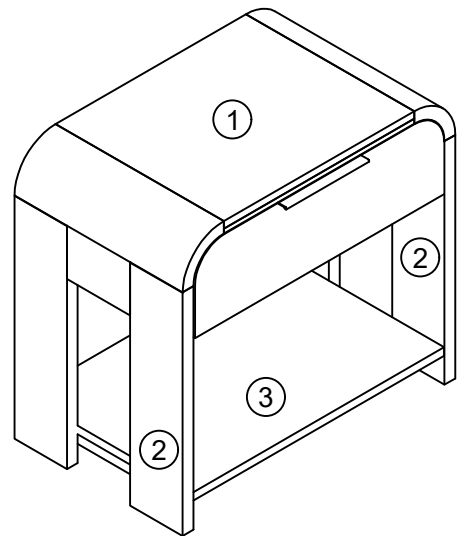
- Do not discard any content until assembly is complete to avoid accidentally discarding small parts or hardware.
- Take out all parts and hardware from box.

Parts List

Item	Description	QTY
①	Top 	1
②	Sides 	2
③	Shelf 	1

Hardware List

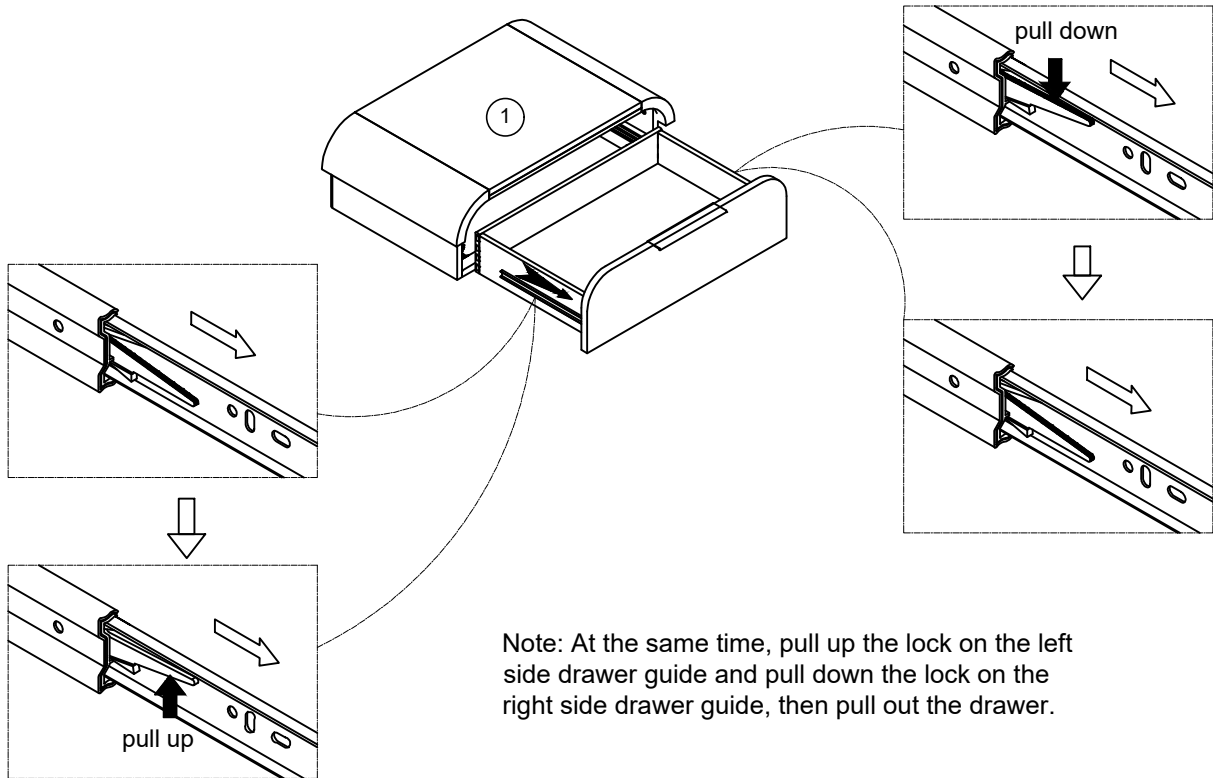
Item	Description	QTY
Ⓐ	Bolt Ø1/4" x 1.375" 	12
Ⓑ	Flat Washer Ø1/4" x 16 	12
Ⓒ	Lock Washer Ø1/4" 	12
Ⓓ	Allen Key 	1
Ⓔ	Wood dowel Ø10*30mm 	4



DISCLAIMER:






WHEN PROPERLY ASSEMBLED, THIS ITEM IS SAFE FOR INTENDED USE. SELLER IS NOT LIABLE FOR ANY DAMAGES RESULTING FROM ITEM BEING IMPROPERLY ASSEMBLED AFTER PURCHASE.

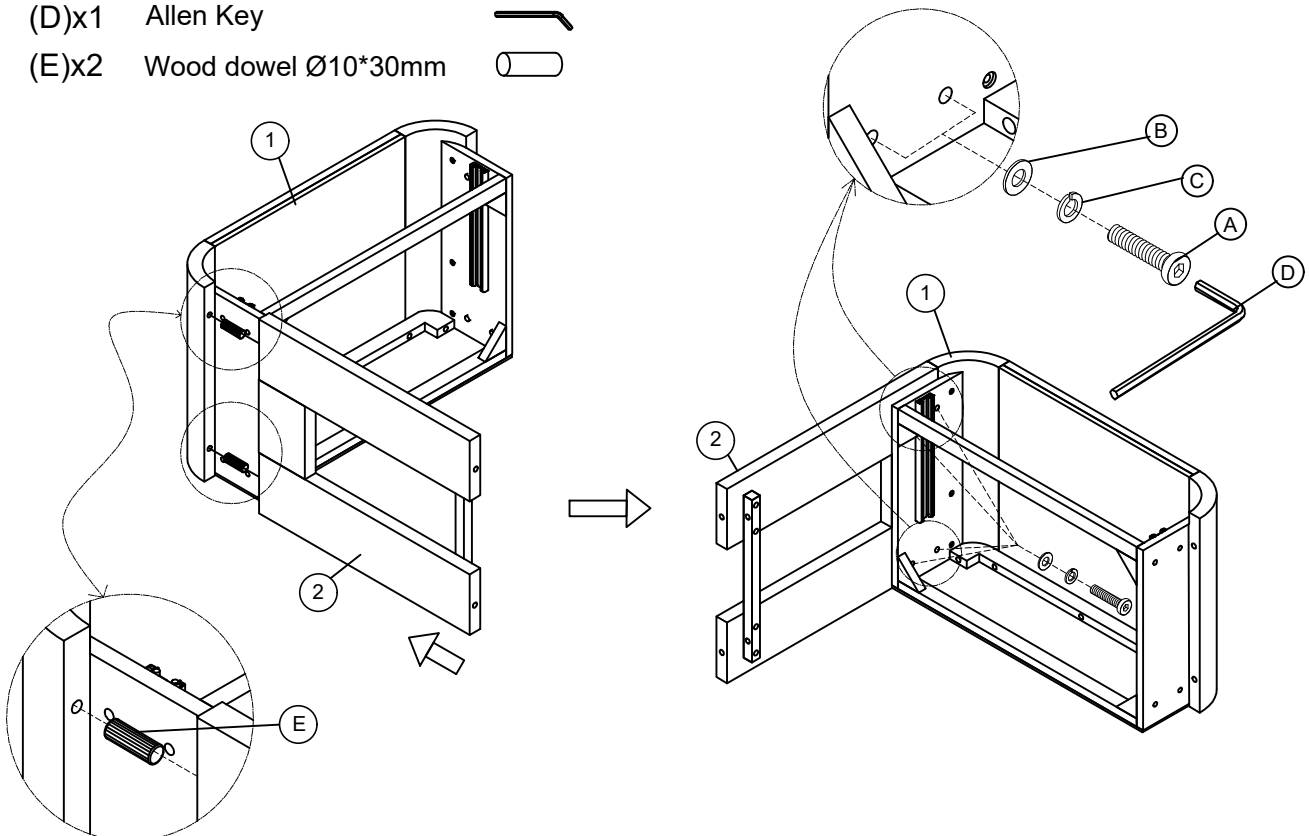
Step 1: Assemble the Nightstand on a flat, soft surface such as a carpet or cloth to prevent scratching the finish. Pull out the drawer as shown below:







Note: At the same time, pull up the lock on the left side drawer guide and pull down the lock on the right side drawer guide, then pull out the drawer.

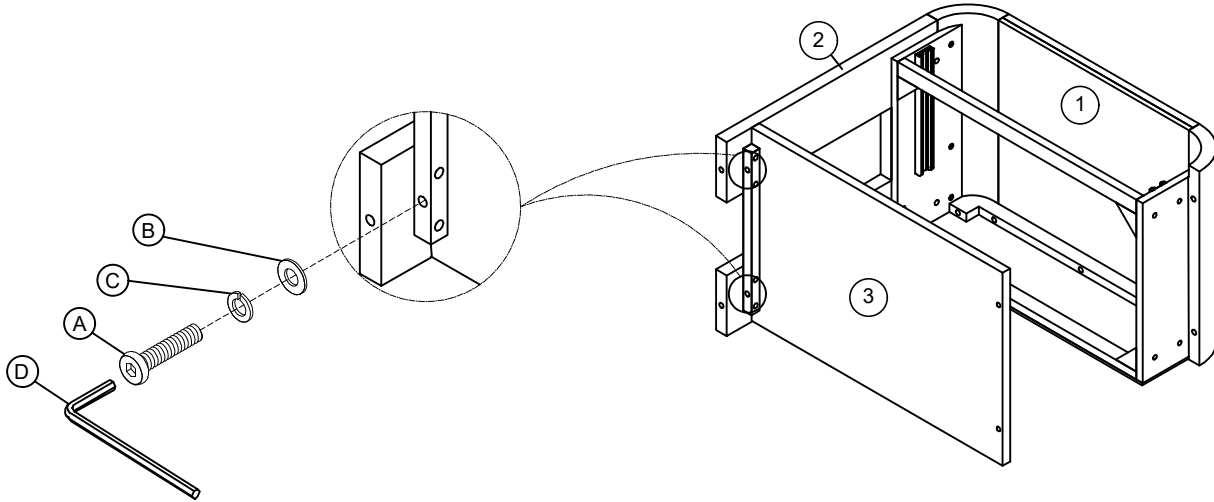
Step 2: Attach Sides (2) to Top (1) as shown below. Do not fully tighten bolts.

- (A)x4 Bolt $\text{\O}1/4" \times 1.375"$ 
- (B)x4 Flat Washer $\text{\O}1/4"$ 
- (C)x4 Lock Washer $\text{\O}1/4"$ 
- (D)x1 Allen Key 
- (E)x2 Wood dowel $\text{\O}10 \times 30\text{mm}$ 




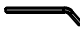
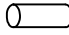


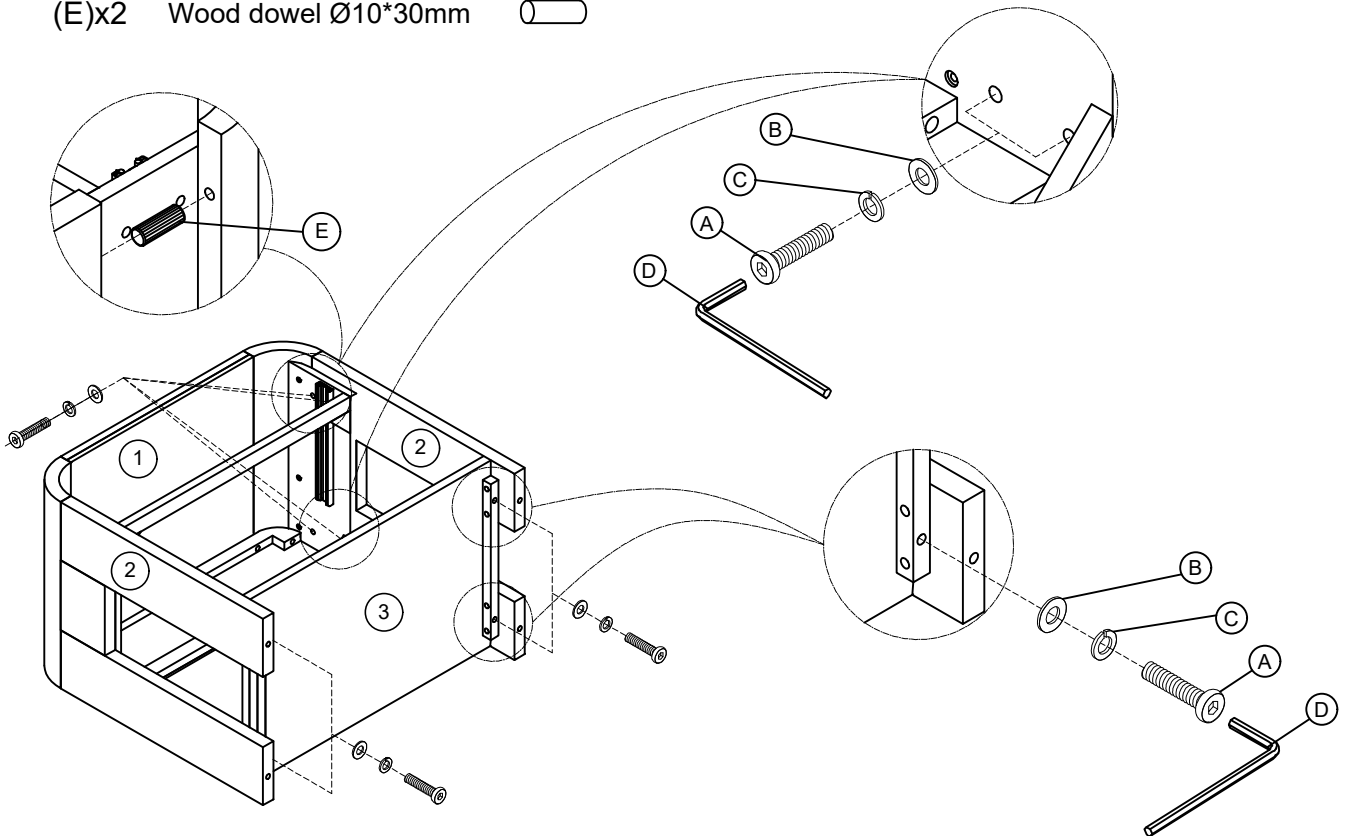
Step 3: Attach Shelf (3) to Sides (2) as shown below. Do not fully tighten bolts.

- (A)x2 Bolt $\text{\O}1/4'' \times 1.375''$ 
- (B)x2 Flat Washer $\text{\O}1/4''$ 
- (C)x2 Lock Washer $\text{\O}1/4''$ 
- (D)x1 Allen Key 

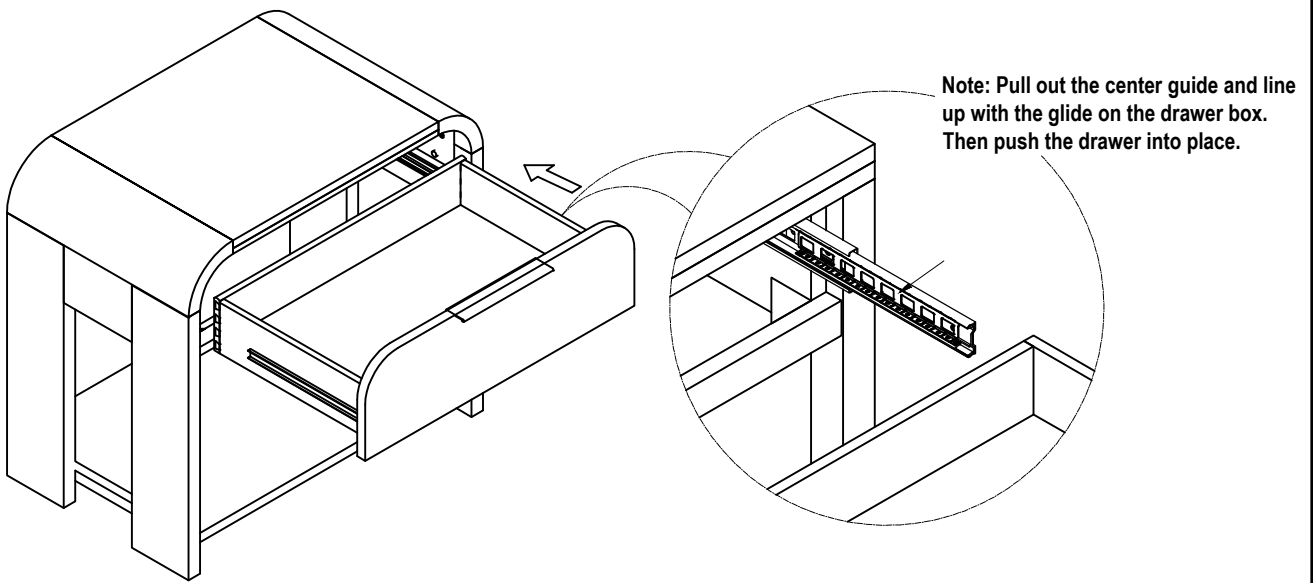


Step 4: Attach Sides (2) to Top (1) & Shelf (3) as shown below. Tighten all bolts.

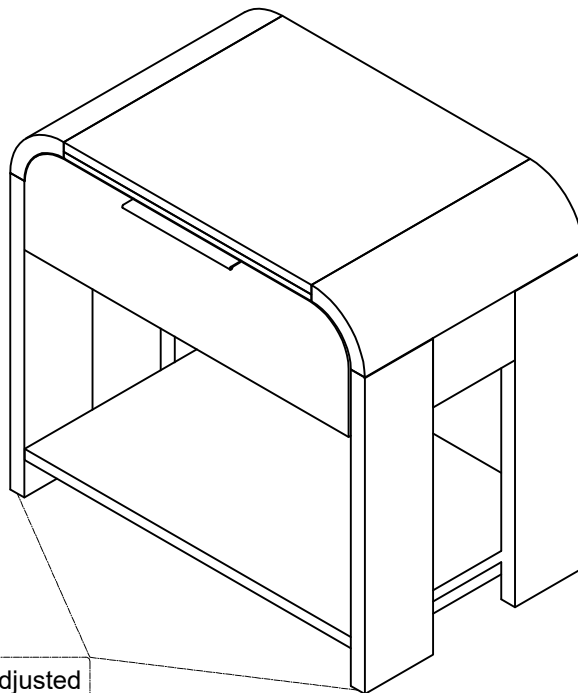
- (A)x6 Bolt $\text{\O}1/4'' \times 1.375''$ 
- (B)x6 Flat Washer $\text{\O}1/4''$ 
- (C)x6 Lock Washer $\text{\O}1/4''$ 
- (D)x1 Allen Key 
- (E)x2 Wood dowel $\text{\O}10 \times 30\text{mm}$ 



Step 5: Turn the assembled Nightstand to an upright position. Then push in the drawer as shown below:



Step 6: Assembly is complete.



Note: Legs Can be Adjusted With Adjustable Levelers

ADDITIONAL NOTE ABOUT SAFETY:
BOLTS MAY LOOSEN DURING NORMAL EVERYDAY USE.
THEY SHOULD BE INSPECTED AT LEAST EVERY 3 MONTHS AND RE-TIGHTENED AS NEEDED TO PREVENT DAMAGE OR INJURY, AND ENSURE STABILITY.

Thank you for your purchase