

ASSEMBLY INSTRUCTIONS

Description: LANCASTER ROUND TABLE






Important safety instructions:

- Please read carefully all instructions before assembly.
- For your safety and ease, assembly by two or more adults is recommended.
- Keep instructions for future use.







Pre-assembly:

- Do not discard any content until assembly is complete to avoid accidentally discarding small parts or hardware.
- Take out all parts and hardware from box.

Parts List

Item	Description	QTY
P1	Half Top Frame 	2
P2	Mounting Board 	1
P3	Leg Frame 	1
P4	Half Leg Frame 	2
P5	Gathering Height Connector 	4

Hardware List





Item	Description	QTY
H1	Bolts Ø5/16"x75mm 	4
H2	Bolts Ø5/16"x35mm 	12
H3	Bolts Ø5/16"x25mm 	8
H4	Lock Washers Ø5/16" 	24
H5	Flat Washers Ø5/16"x19mm 	24
H6	Metal Bracket 	2
H7	Allen Key 4mm 	1

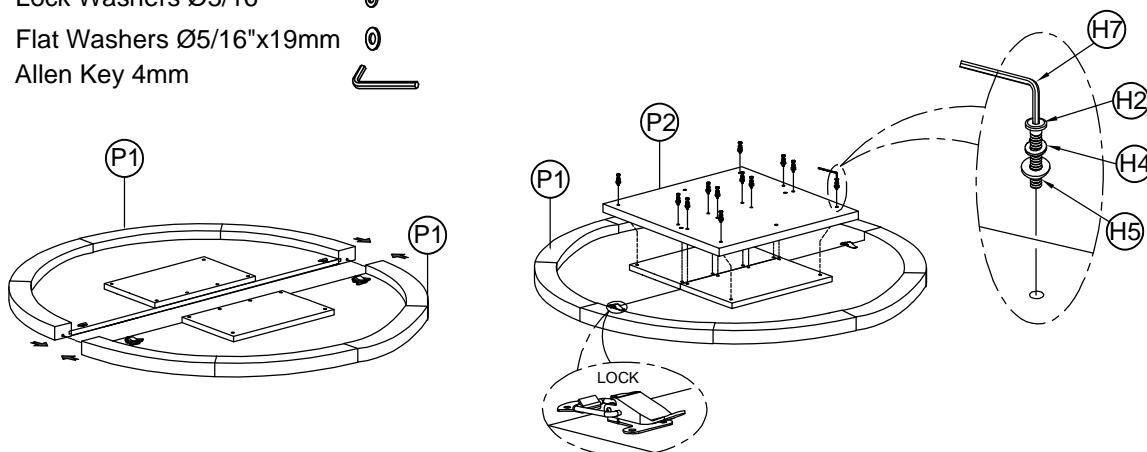
DISCLAIMER:

WHEN PROPERLY ASSEMBLED, THIS ITEM IS SAFE FOR INTENDED USE. SELLER IS NOT LIABLE FOR ANY DAMAGES RESULTING FROM ITEM BEING IMPROPERLY ASSEMBLED AFTER PURCHASE.

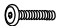



Assembly Procedures:

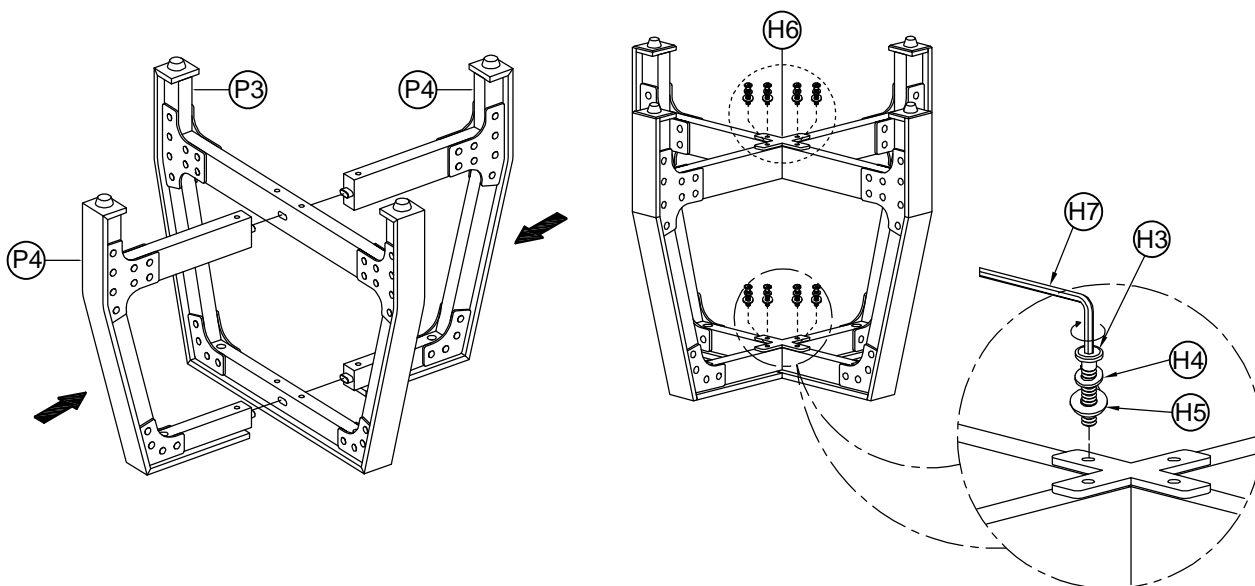
Step1: Assemble the table on a flat, soft surface such as a carpet or cloth to prevent scratching the finish. Lock all spring clips under the table top. Then attach the Mounting Board (P2) to Half Top Frame (P1) as shown below.

- (H2)x12 Bolts Ø5/16"x35mm 
- (H4)x12 Lock Washers Ø5/16" 
- (H5)x12 Flat Washers Ø5/16"x19mm 
- (H7)x1 Allen Key 4mm 







Step 2: Attach the Half Leg Frame (P4) to Leg Frame (P3) and then assembly the Connecting Metal Bracket (H6) as shown below.

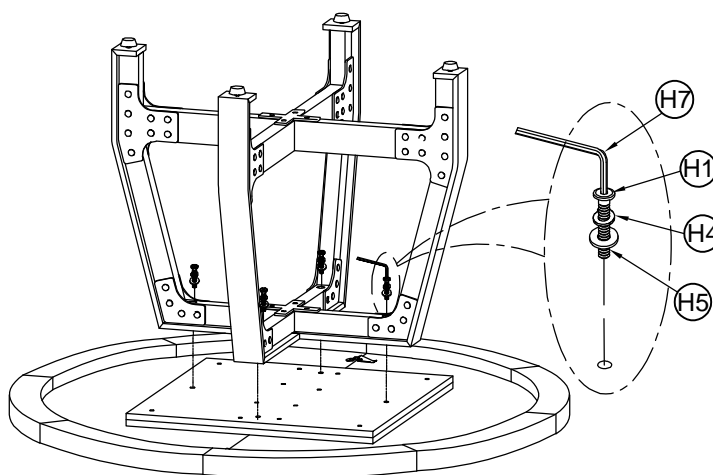
- (H3)x8 Bolts Ø5/16"x25mm 
- (H4)x8 Lock Washers Ø5/16" 
- (H5)x8 Flat Washers Ø5/16"x19mm 
- (H7)x1 Allen Key 4mm 



*** Please follow step 1, 2, 3 for Dining Table Assembly.**

Step 3: Attach the assembled leg frame to assembled table top as shown below for Dining Table





- (H1)x4 Bolts Ø5/16"x75mm 
- (H4)x4 Lock Washers Ø5/16" 
- (H5)x4 Flat Washers Ø5/16"x19mm 
- (H7)x1 Allen Key 4mm 

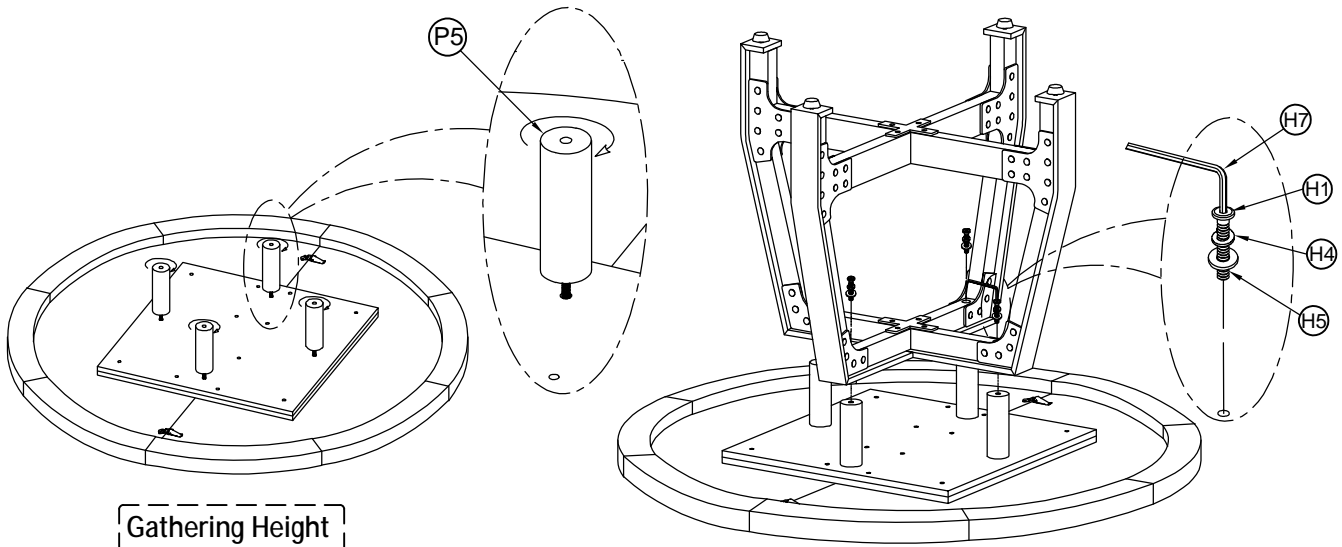


Dining Height

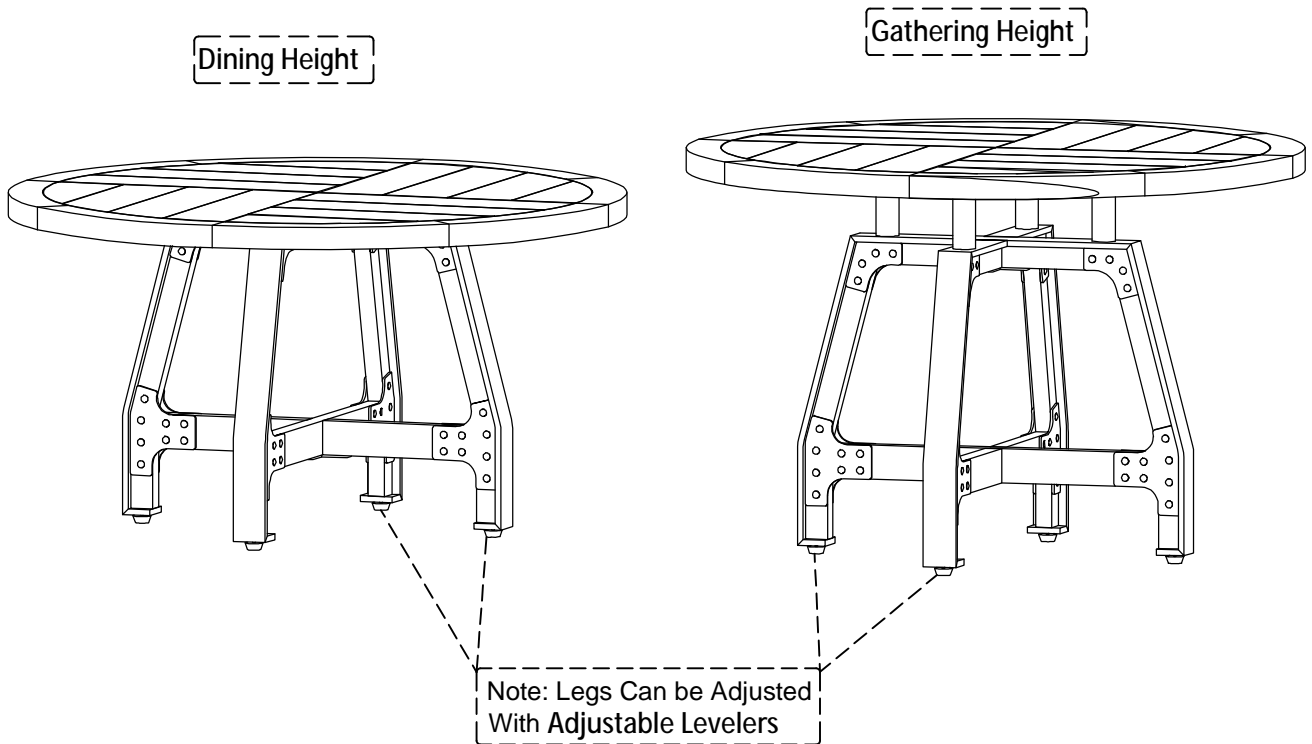
*** Please follow step 4 for Gathering Table Assembly.**

Step 4: Attach the Gathering Connectop (P5) to the assembled Table Top and then assemble the leg frame as shown below for Gathering Table

- (H1)x4 Bolts Ø5/16"x75mm 
- (H4)x4 Lock Washers Ø5/16" 
- (H5)x4 Flat Washers Ø5/16"x19mm 
- (H7)x1 Allen Key 4mm 



Step 5: Turn the assembled round table to an upright position. Assembly is completed.



ADDITIONAL NOTE ABOUT SAFETY:

BOLTS MAY LOOSEN DURING NORMAL EVERYDAY USE.

THEY SHOULD BE INSPECTED AT LEAST EVERY 3 MONTHS AND RE-TIGHTENED AS NEEDED TO PREVENT DAMAGE OR INJURY, AND ENSURE STABILITY.

Thank you for your purchase