

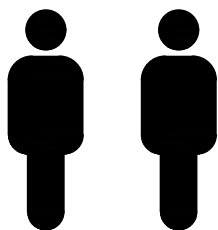
SCAN QR CODE FOR
ASSEMBLY VIDEO

Please read below before assembly

- Assemble the product on a flat, soft surface such as a carpet or cloth to prevent scratching the finish.
- Do not discard any content until assembly is complete to avoid accidentally discarding small parts or hardware.
- Take out all parts and hardware from box.
- Failure to follow these instructions may cause the bolts to misalign during assembly.

DISCLAIMERS:

- WHEN PROPERLY ASSEMBLED, THIS ITEM IS SAFE FOR INTENDED USE. SELLER IS NOT LIABLE FOR ANY DAMAGES RESULTING FROM ITEM BEING IMPROPERLY ASSEMBLED AFTER PURCHASE.
- BOLTS MAY LOOSEN DURING NORMAL EVERYDAY USE. THEY SHOULD BE INSPECTED AT LEAST EVERY 3 MONTHS AND RE-TIGHTENED AS NEEDED TO PREVENT DAMAGE OR INJURY, AND ENSURE STABILITY.



PEOPLE NEEDED



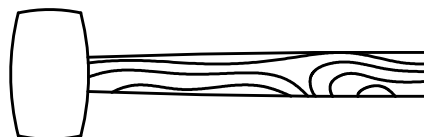
300
lbs seat

WEIGHT LIMIT








ESTIMATED TIME

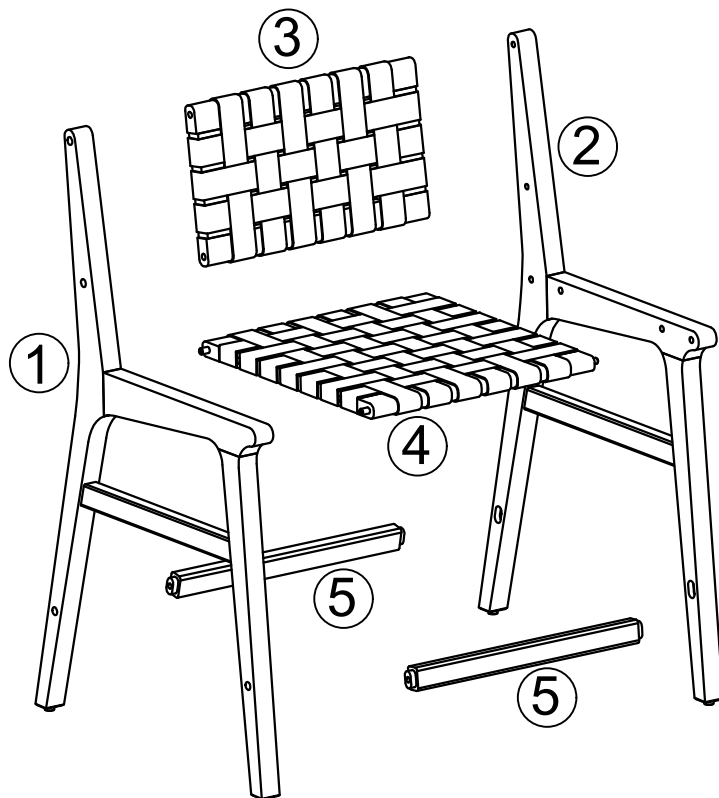
TOOLS REQUIRED (NOT INCLUDED)










RUBBER Mallet

PARTS LIST

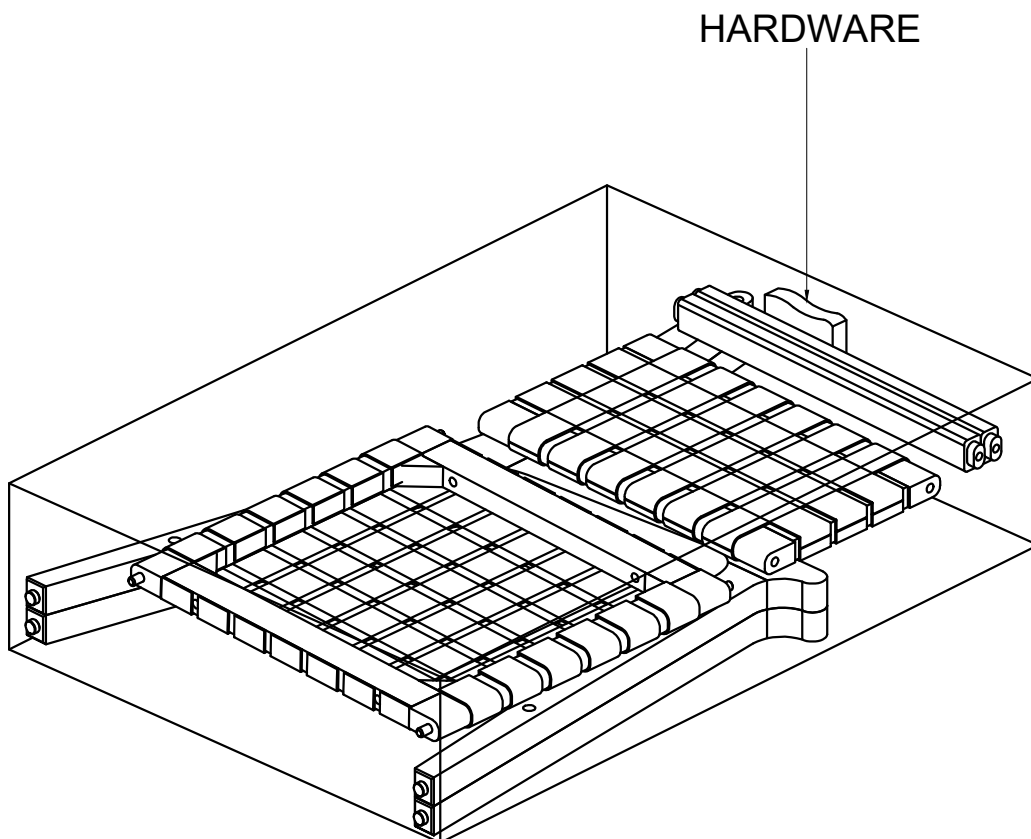
①	LEFT SIDE FRAME		1 PC
②	RIGHT SIDE FRAME		1 PC
③	BACK PANEL		1 PC
④	SEAT PANEL		1 PC
⑤	STRETCHER		2 PCS







HARDWARE LIST

A	LONG BOLT- Ø1/4" x 2-1/2"		4 PCS
B	SHORT BOLT- Ø1/4" x 1-1/2"		8 PCS
C	LOCK WASHER - Ø1/4"		12 PCS
D	BIG FLAT WASHER - Ø1/4" x 3/4"		4 PCS
E	SMALL FLAT WASHER - Ø1/4" x 1/2"		8 PCS
F	ALLEN KEY		1 PC
G	WOOD PLUG		8 PCS

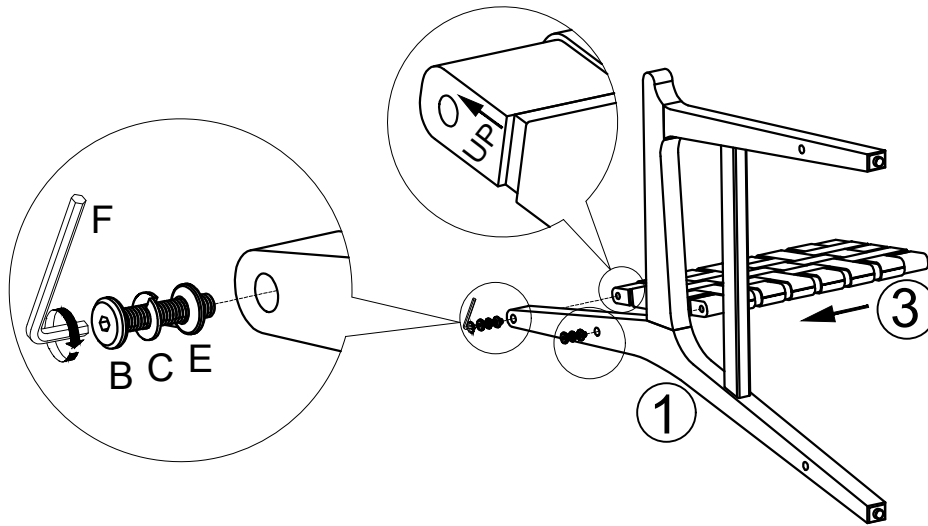
STEP 1 LOCATE PARTS AND HARDWARE PER BELOW DRAWING







STEP 2

B		2 PCS
C		2 PCS
E		2 PCS
F		1 PC

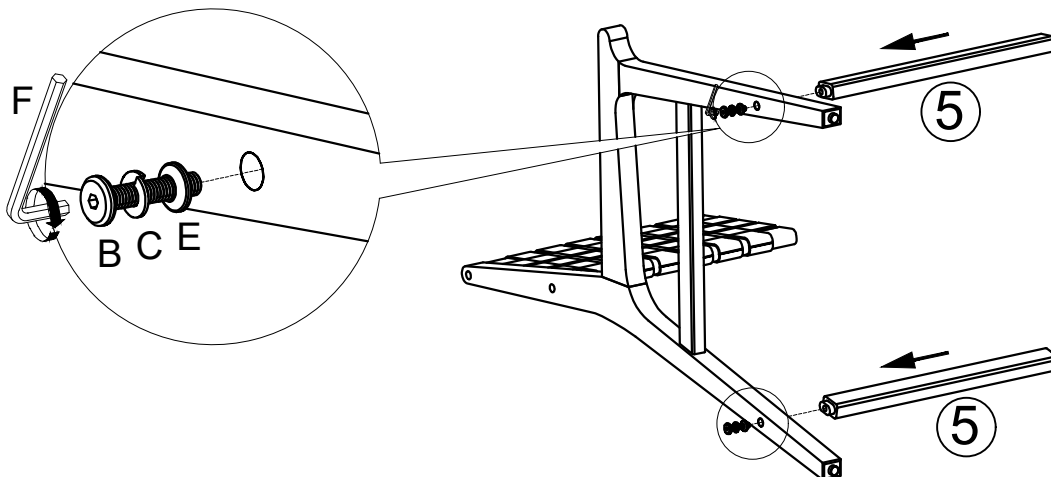
NOTE: DO NOT FULLY TIGHTEN BOLTS



STEP 3





B		2 PCS
C		2 PCS
E		2 PCS
F		1 PC

NOTE: DO NOT FULLY TIGHTEN BOLTS

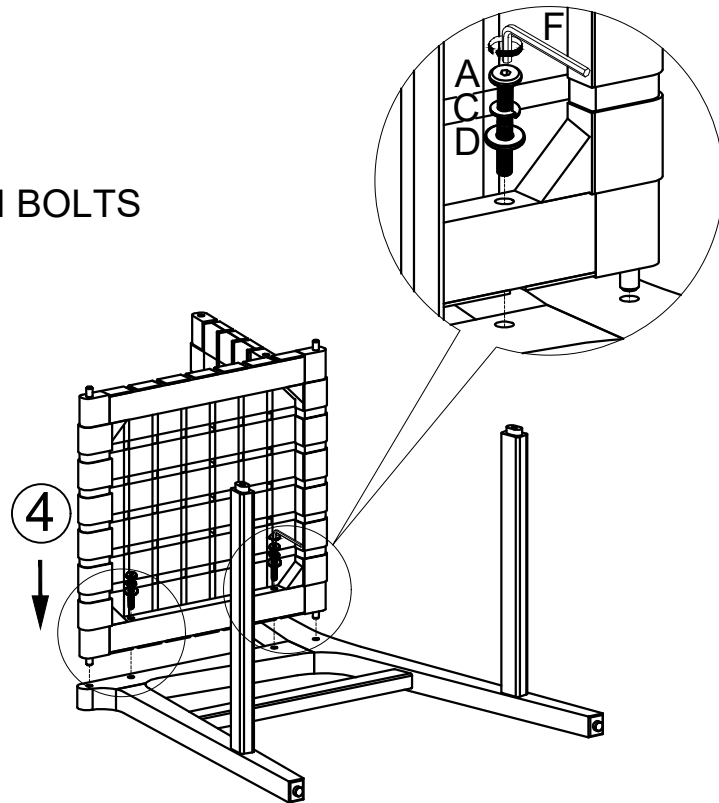


NOTE:
FLIP OVER CHAIR TO THE LEFT FOR NEXT STEP





STEP 4

A		2 PCS
C		2 PCS
D		2 PCS
F		1 PC

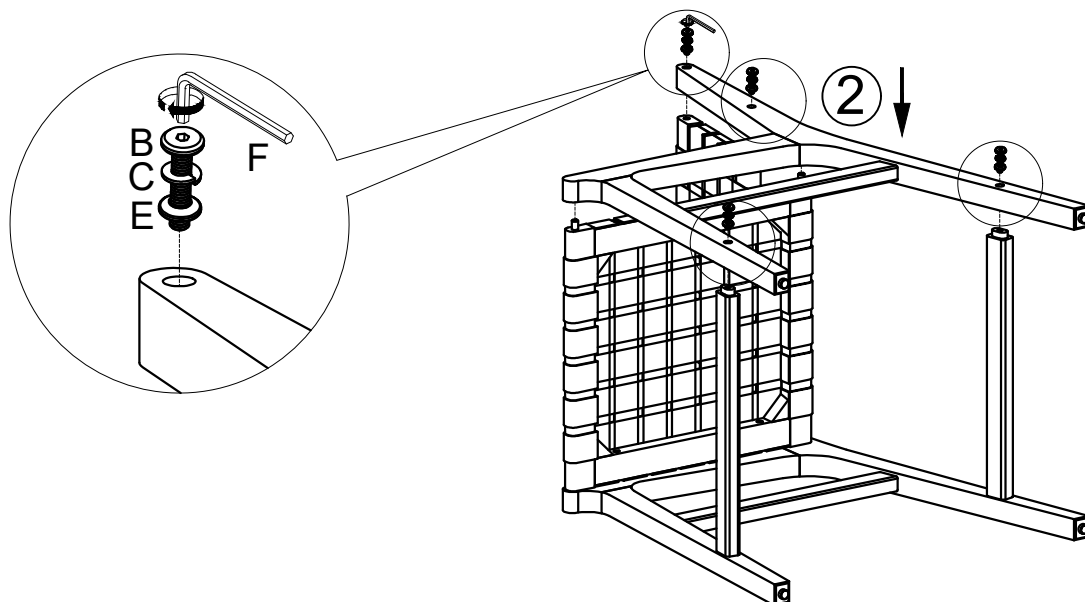
NOTE: DO NOT FULLY TIGHTEN BOLTS







STEP 5

B		4 PCS
C		4 PCS
E		4 PCS
F		1 PC

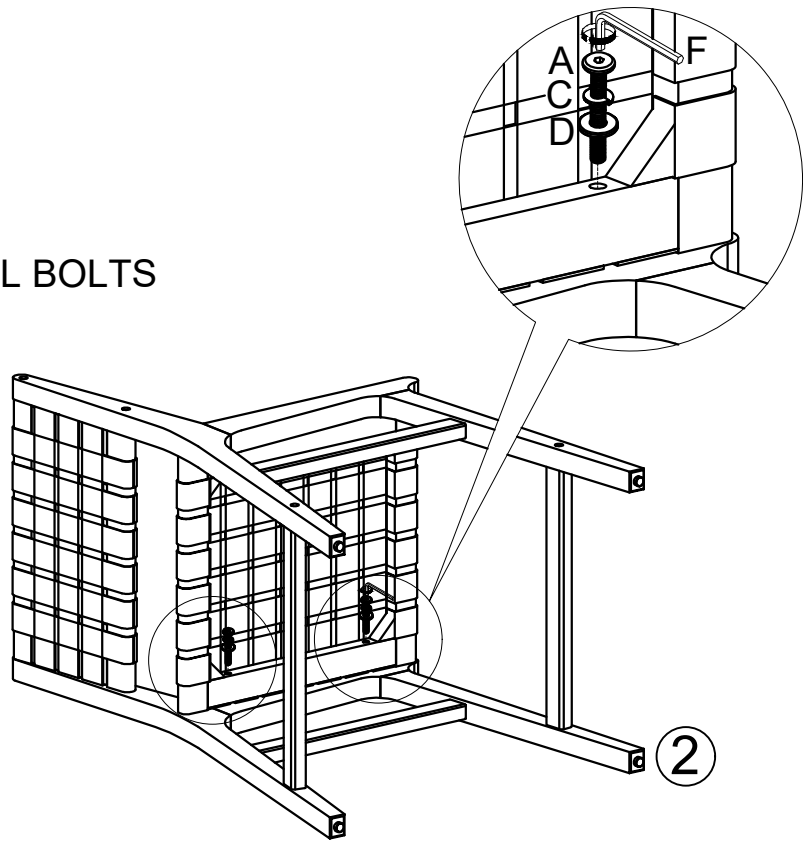
NOTE: DO NOT FULLY TIGHTEN BOLTS



STEP 6

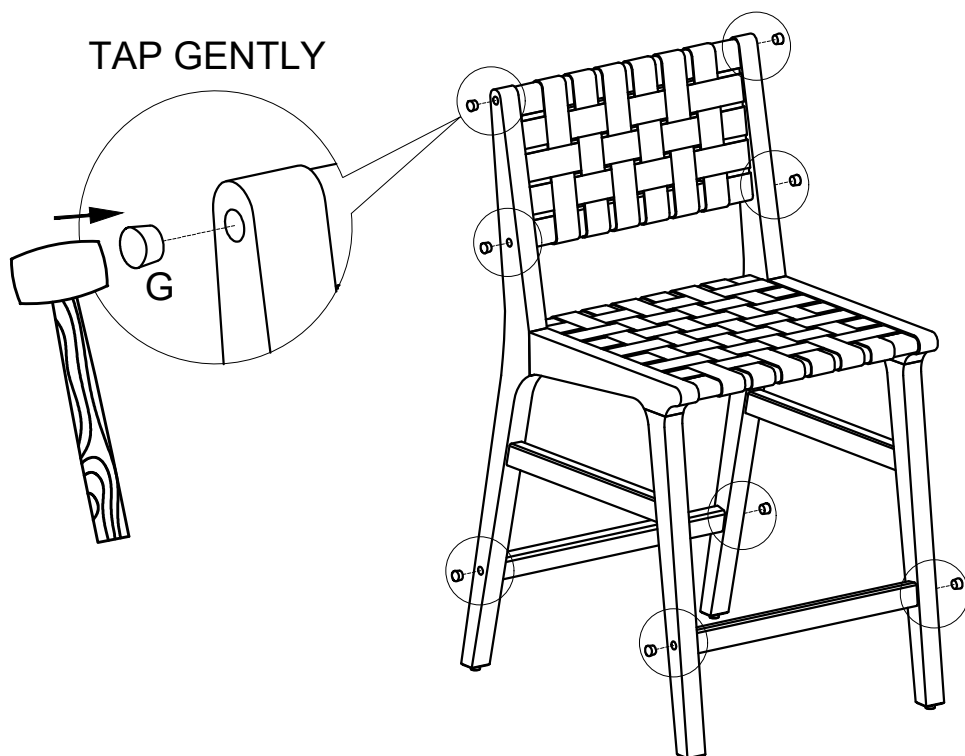
A		2 PCS
C		2 PCS
D		2 PCS
F		1 PC

NOTE: PLEASE TIGHTEN ALL BOLTS

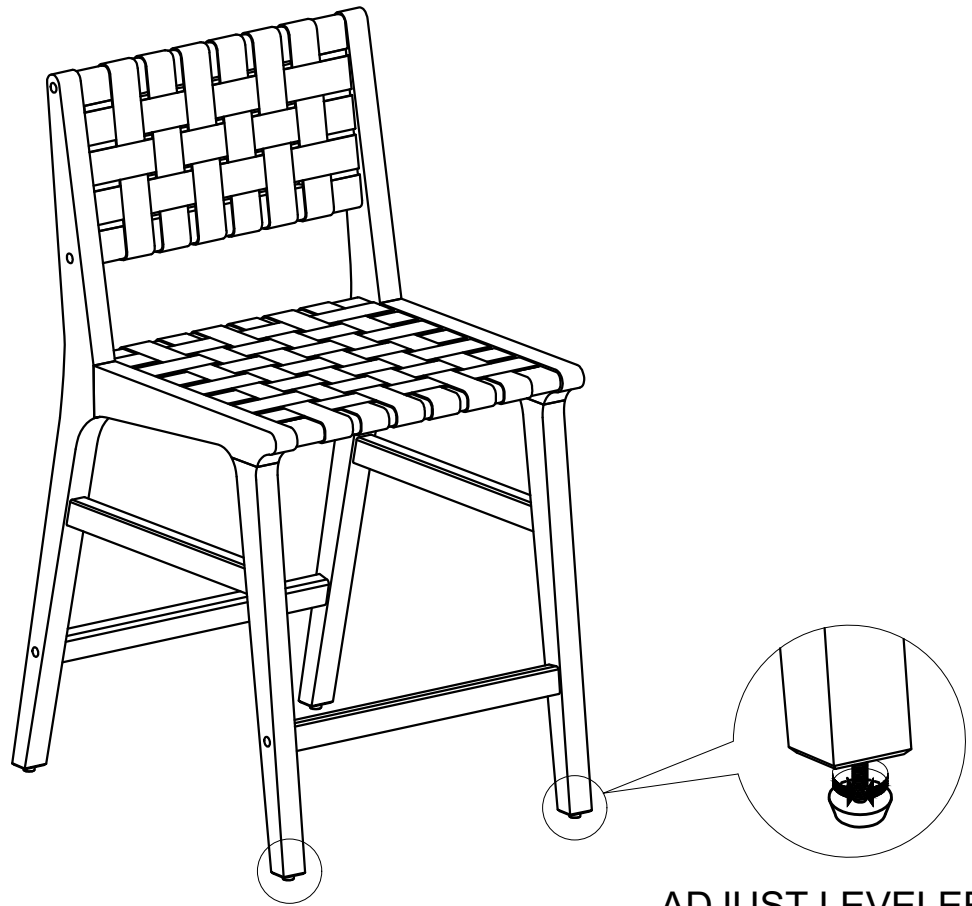


STEP 7

G		8 PCS
---	-------------------------------------------------------------------------------------	-------



STEP 8



ADJUST LEVELERS
FOR UNEVEN FLOOR

Care & Maintenance

Do...



Wipe up spills immediately.



Dust and pick-up spills using a clean, non-colored, lint-free, dry cloth.



Use mild non-abrasive soap and water.

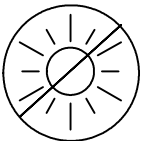
Don't...



Do not put hot items directly on furniture surface.



Do not clean furniture with harsh cleansers or polish.



Do not place furniture in direct sunlight.



Do not place furniture near heating or cooling vents.



Do not write on furniture without a padded barrier to protect the surface.



Do not place furniture outside. For indoor use only.