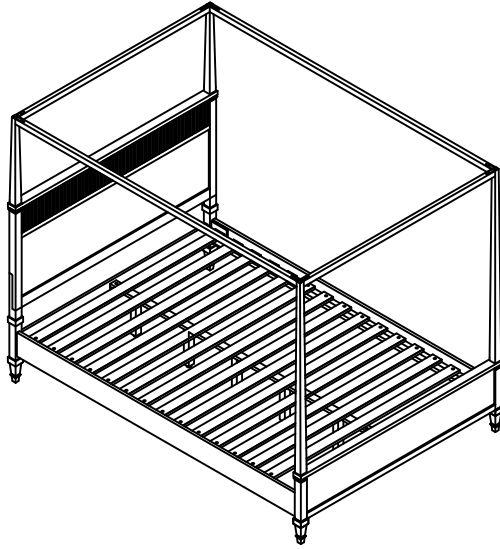


ASSEMBLY INSTRUCTIONS



KENNA CANOPY BED - QUEEN



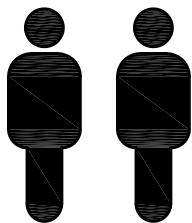
SCAN QR CODE FOR
ASSEMBLY VIDEO

Please read below before assembly:

- Assemble the product on a flat, soft surface such as a carpet or cloth to prevent scratching the finish.
- Do not discard any content until assembly is complete to avoid accidentally discarding small parts or hardware.
- Take out all parts and hardware from box.
- Failure to follow these instructions may cause the bolts to misalign during assembly.

DISCLAIMERS:

- WHEN PROPERLY ASSEMBLED, THIS ITEM IS SAFE FOR INTENDED USE. SELLER IS NOT LIABLE FOR ANY DAMAGES RESULTING FROM ITEM BEING IMPROPERLY ASSEMBLED AFTER PURCHASE.
- BOLTS MAY LOOSEN DURING NORMAL EVERYDAY USE. THEY SHOULD BE INSPECTED AT LEAST EVERY 3 MONTHS AND RE-TIGHTEN AS NEEDED TO PREVENT DAMAGE OR INJURY, AND ENSURE STABILITY.



PEOPLE NEEDED



ESTIMATED TIME

TOOLS REQUIRED (NOT INCLUDED)



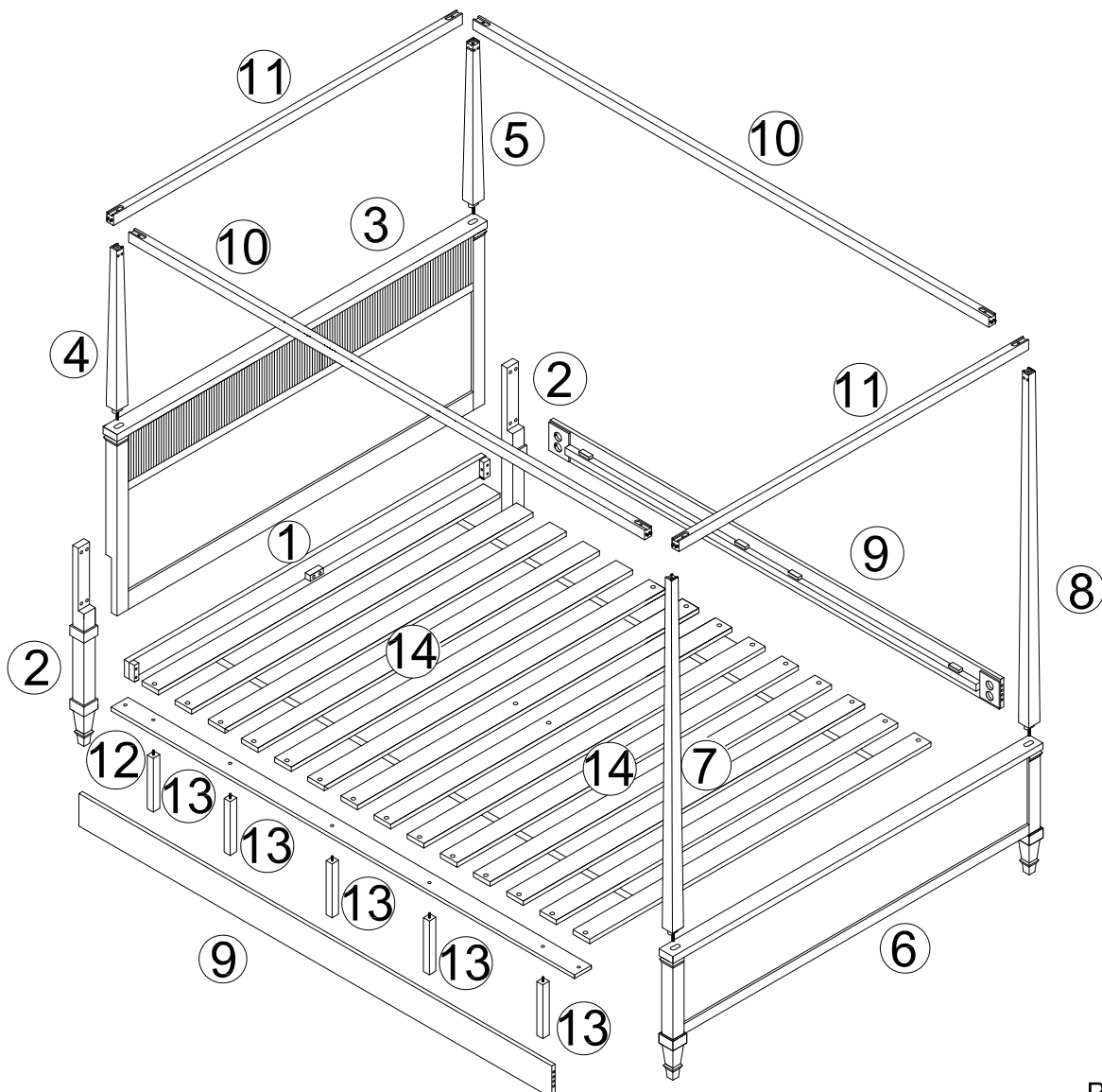
PHILLIPS HEAD SCREW DRIVER



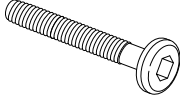
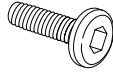
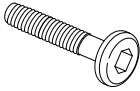
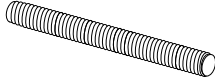
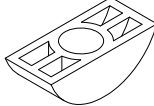
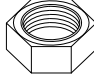
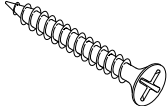


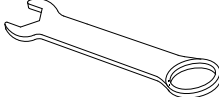
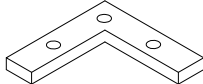
RUBBER Mallet

PARTS LIST

①	STRETCHER	1 PC	⑧	FOOTBOARD POST(RIGHT)	1 PC
②	HEADBOARD BOTTOM LEG	2 PCS	⑨	SIDE RAIL	2 PCS
③	HEADBOARD PANEL	1 PC	⑩	LONG TOP RAIL	2 PCS
④	HEADBOARD POST(LEFT)	1 PC	⑪	SHORT TOP RAIL	2 PCS
⑤	HEADBOARD POST(RIGHT)	1 PC	⑫	MIDDLE SUPPORT	1 PC
⑥	FOOTBOARD PANEL	1 PC	⑬	SUPPORT LEG	5 PCS
⑦	FOOTBOARD POST(LEFT)	1 PC	⑭	SLAT ROLL	2 SET

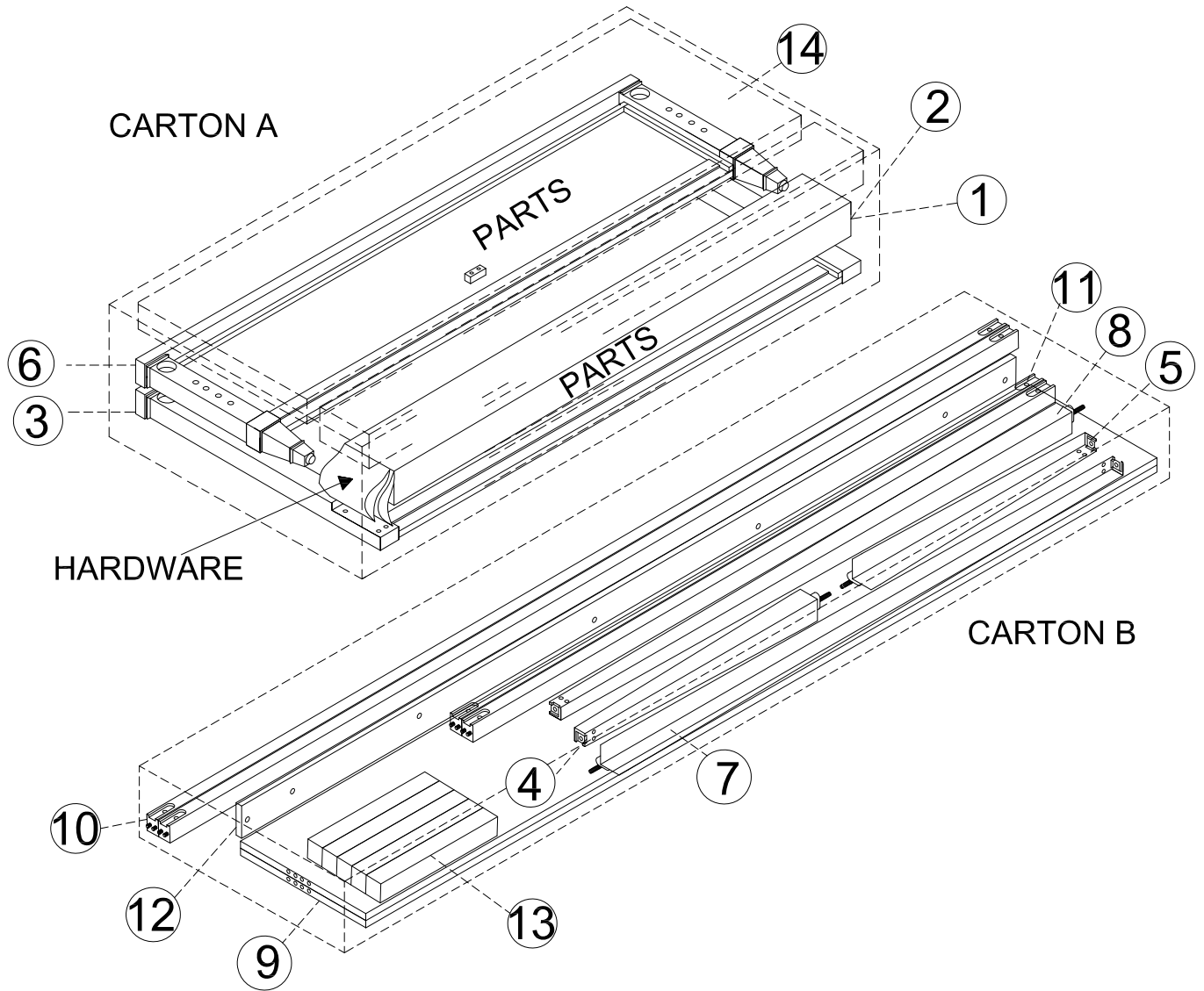


HARDWARE LIST



A	LONG BOLT - Ø 1/4" x 1 1/2"		10 PCS
B	SHORT BOLT - Ø 1/4" x 5/8"		12 PCS
C	MEDIUM BOLT - 1/4" x 1 1/8"		1 PC
D	STUD BOLT - Ø 5/16" x 2 1/2"		8 PCS
E	CRESCENT WASHER - Ø 5/16"		12 PCS
F	HEXAGON NUT - Ø 5/16"		12 PCS
G	WOOD SCREW - Ø 1/8" x 1 1/4"		31 PCS
H	WOOD DOWEL - Ø 3/8" x 1 3/16"		8 PCS
I	ALLEN KEY - 1/4"		1 PC
J	SPANNER - 1/2"		1 PC
K	L BRACKET - 3/4" x 3"		4 PCS

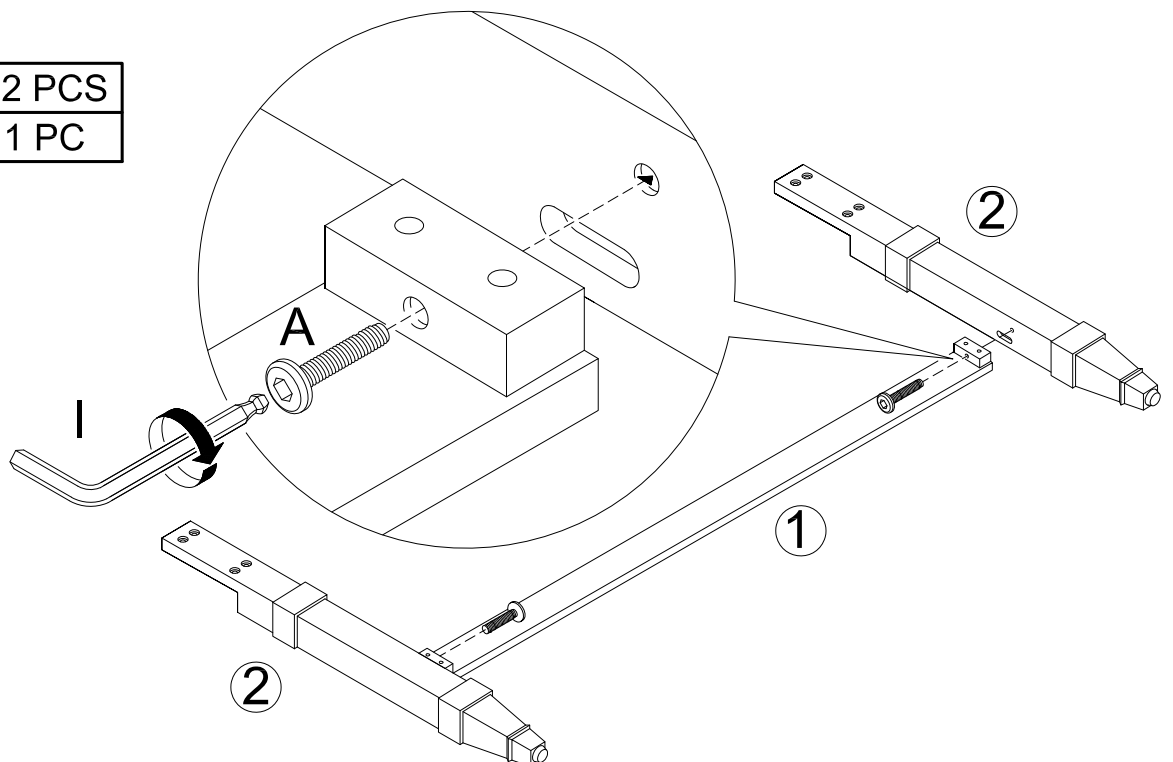
STEP 1

LOCATE PARTS AND HARDWARE PER BELOW DRAWING.

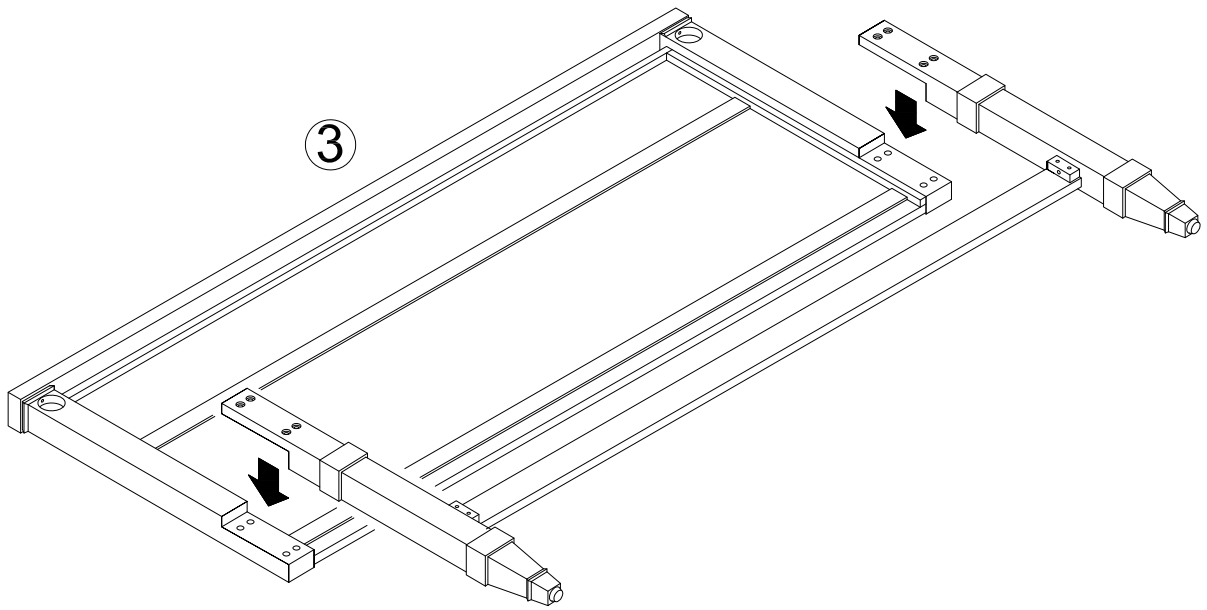


STEP 2



A		2 PCS
I		1 PC

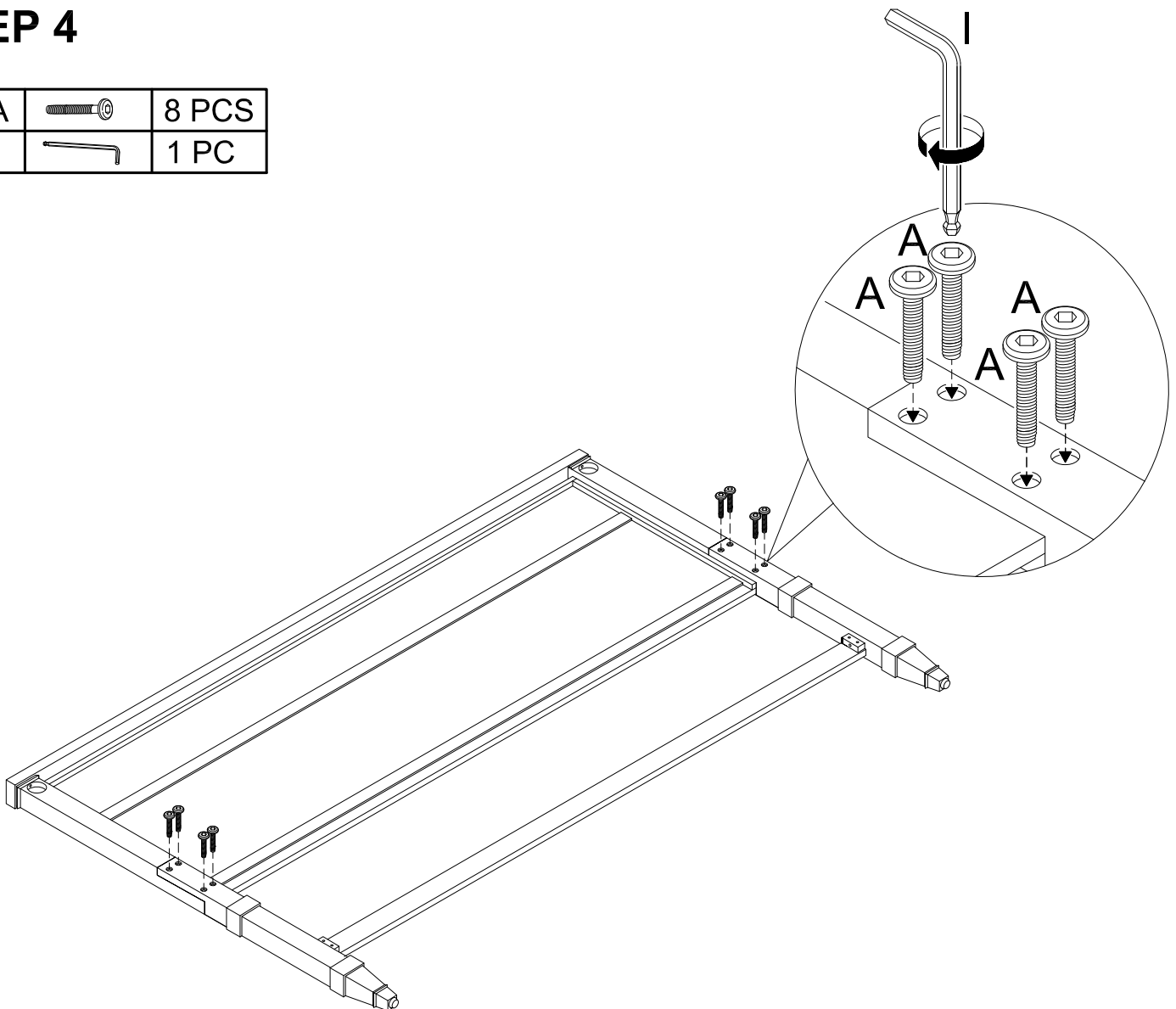


STEP 3

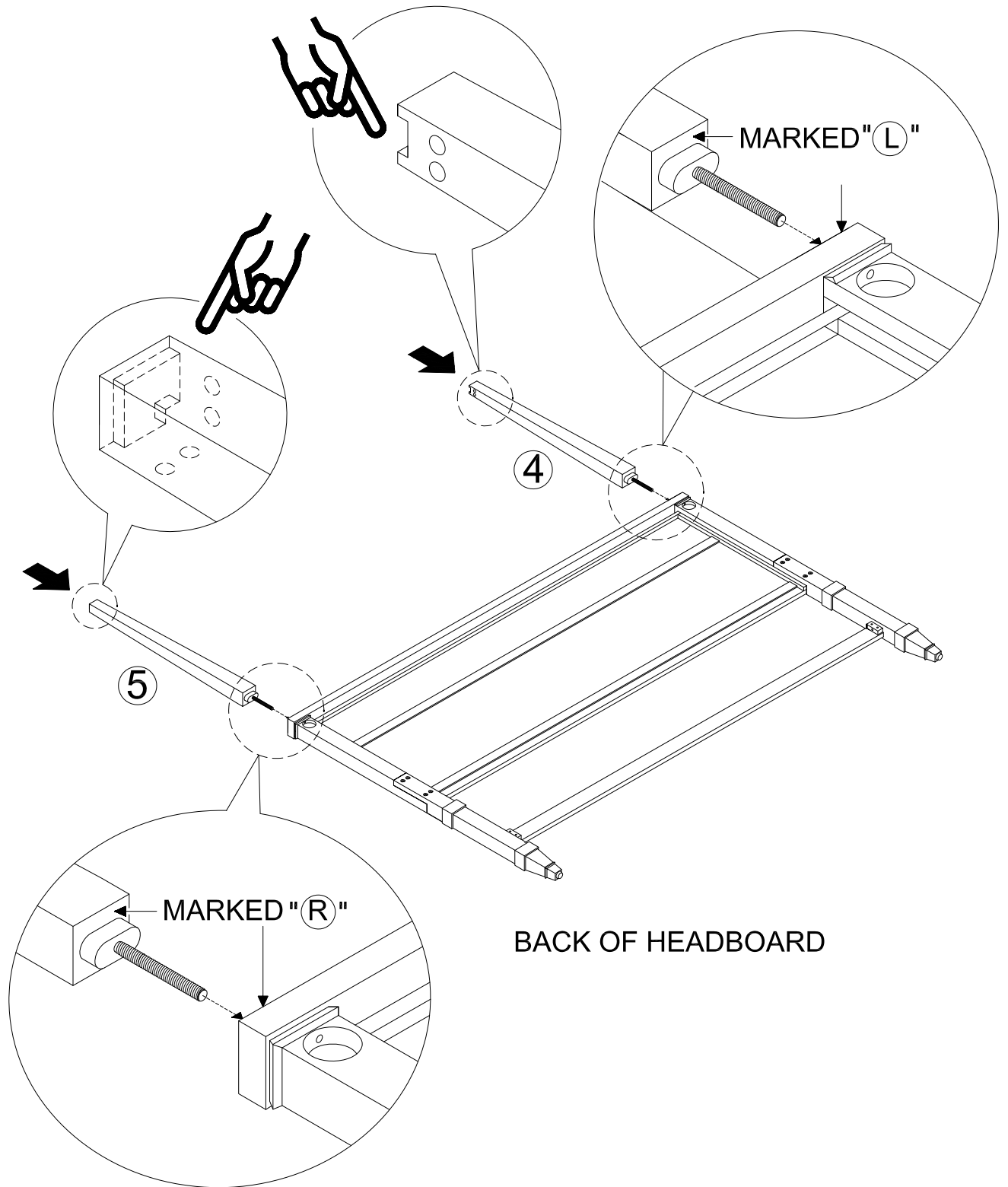


STEP 4



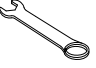
A		8 PCS
I		1 PC

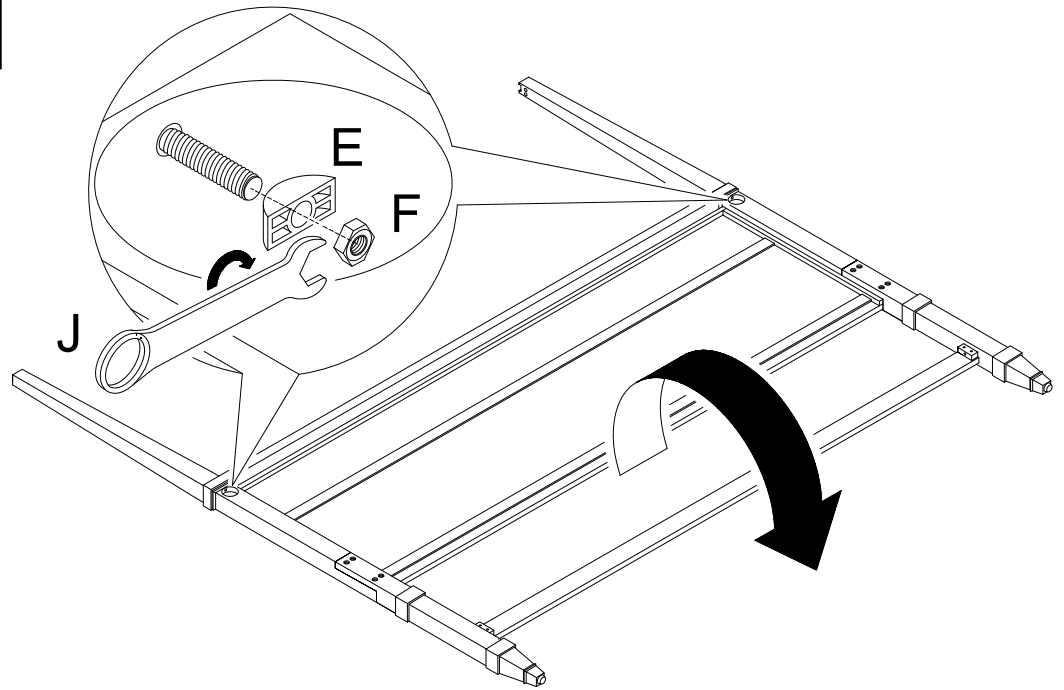


STEP 5




STEP 6

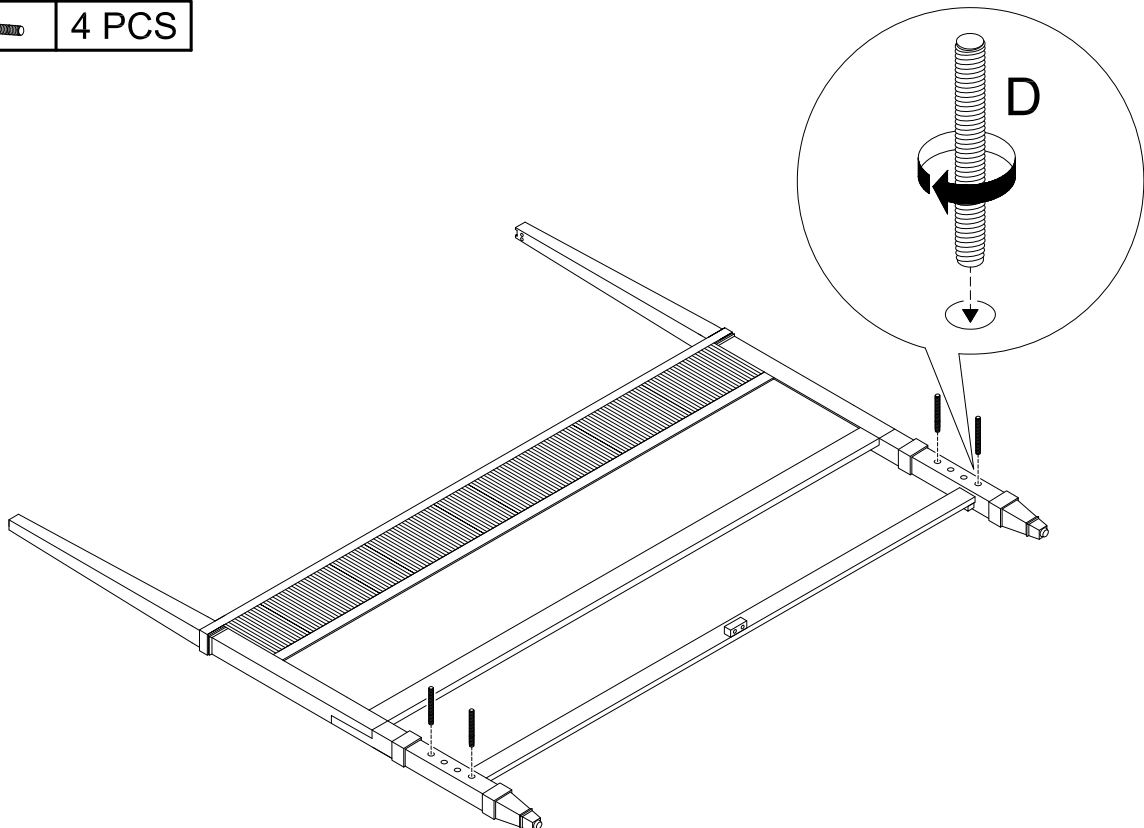
E		2 PCS
F		2 PCS
J		1 PC



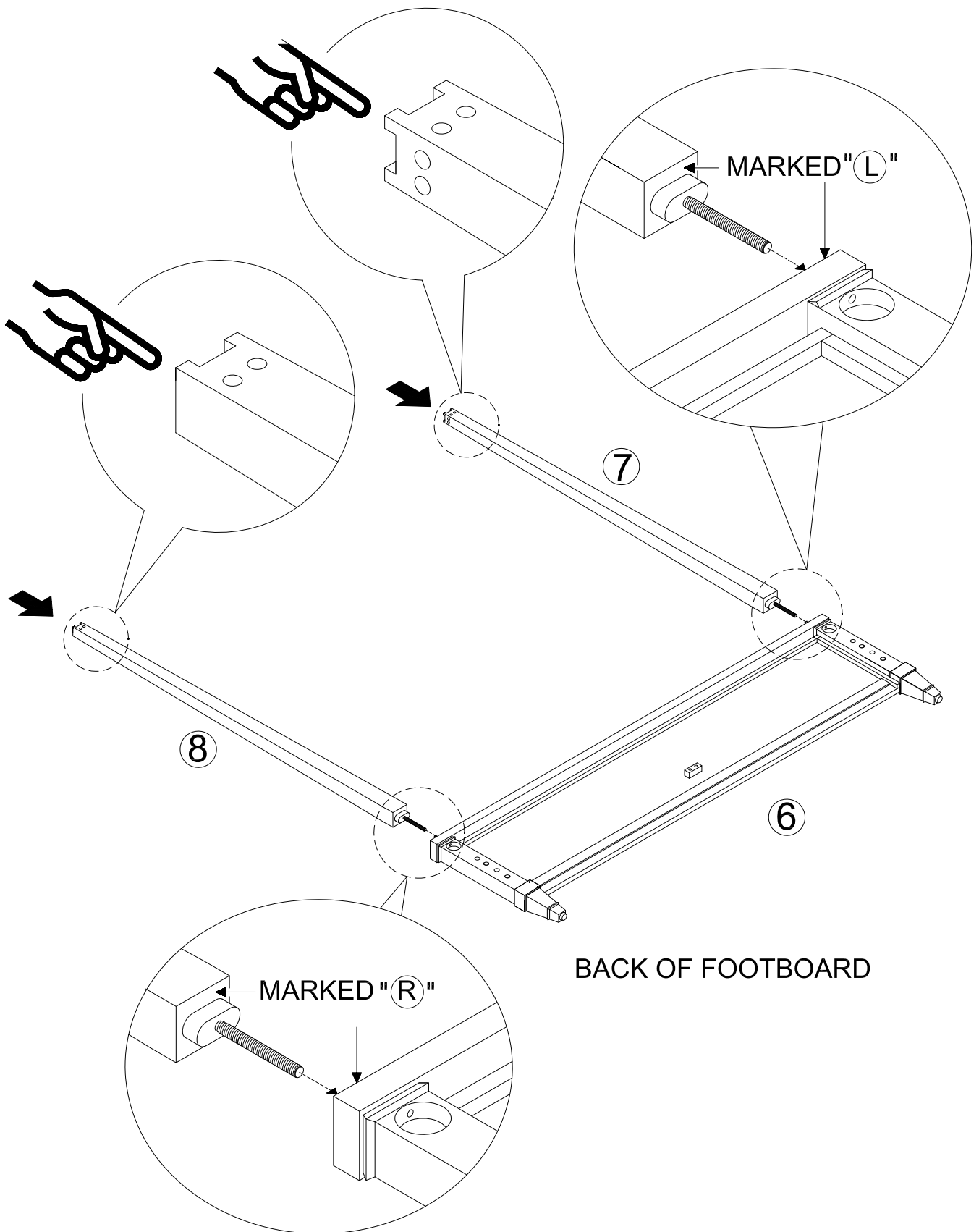
PLEASE FLIP TO FRONT FACE UP

STEP 7



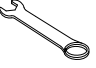
D		4 PCS
---	---	-------

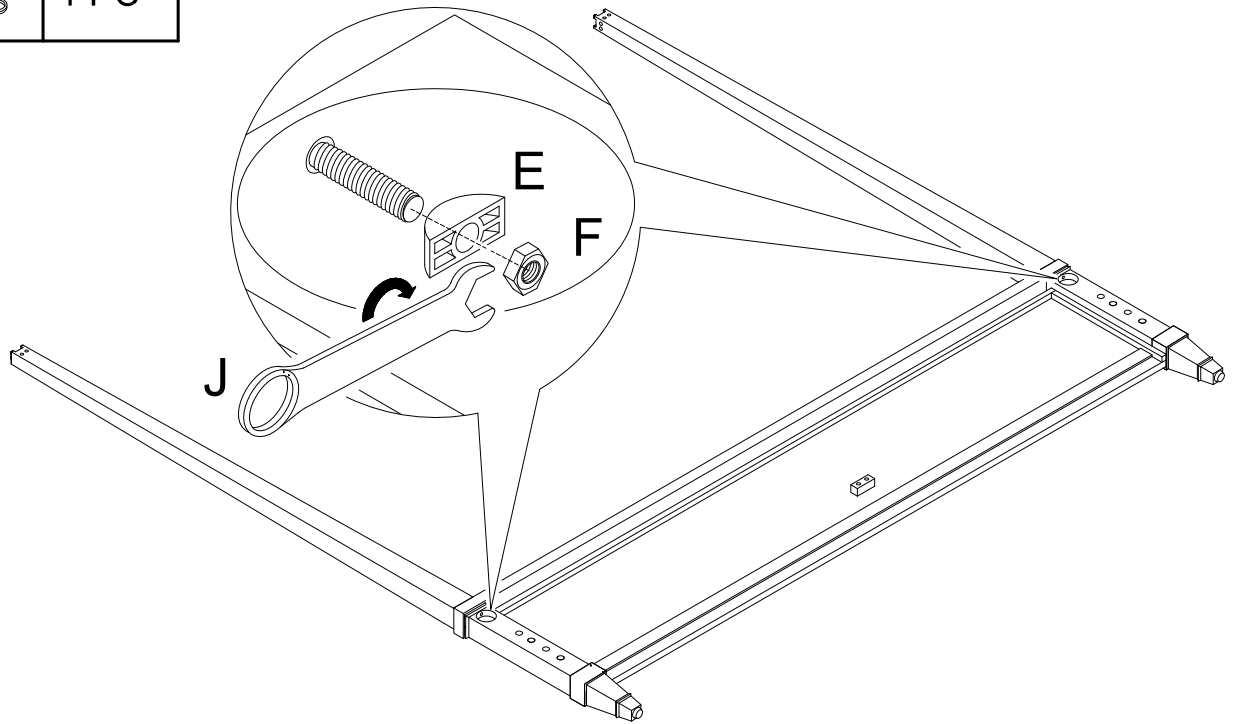


STEP 8




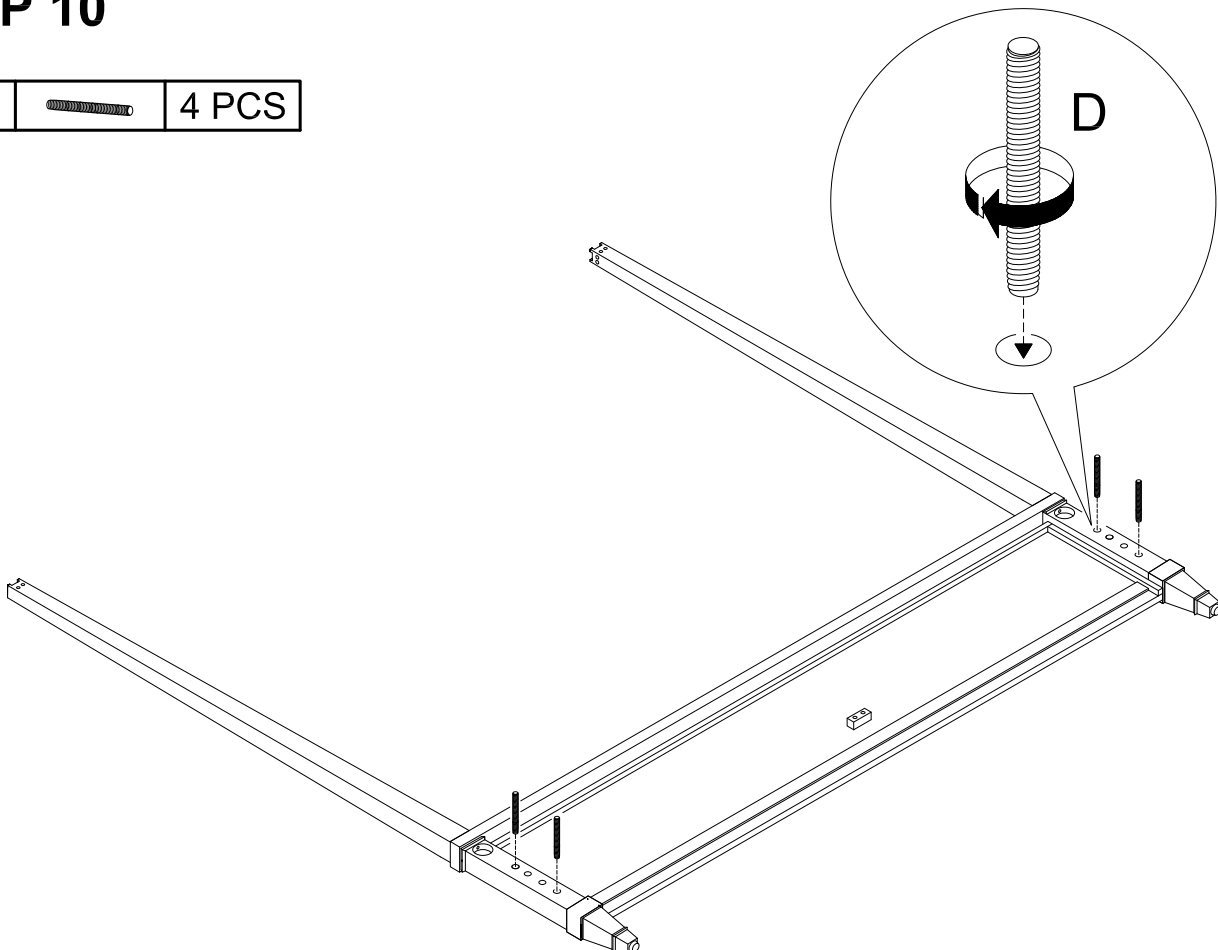
STEP 9

E		2 PCS
F		2 PCS
J		1 PC

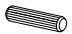


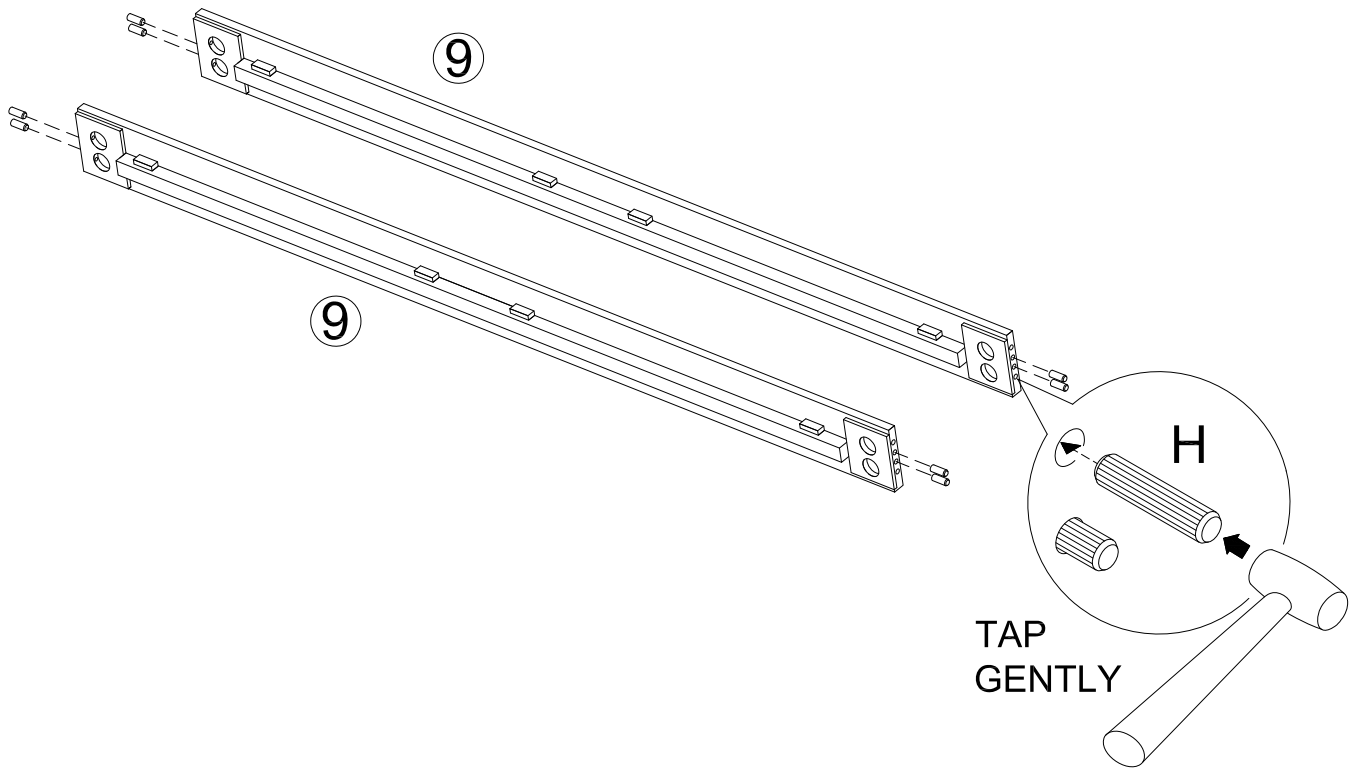
STEP 10

D		4 PCS
---	---	-------

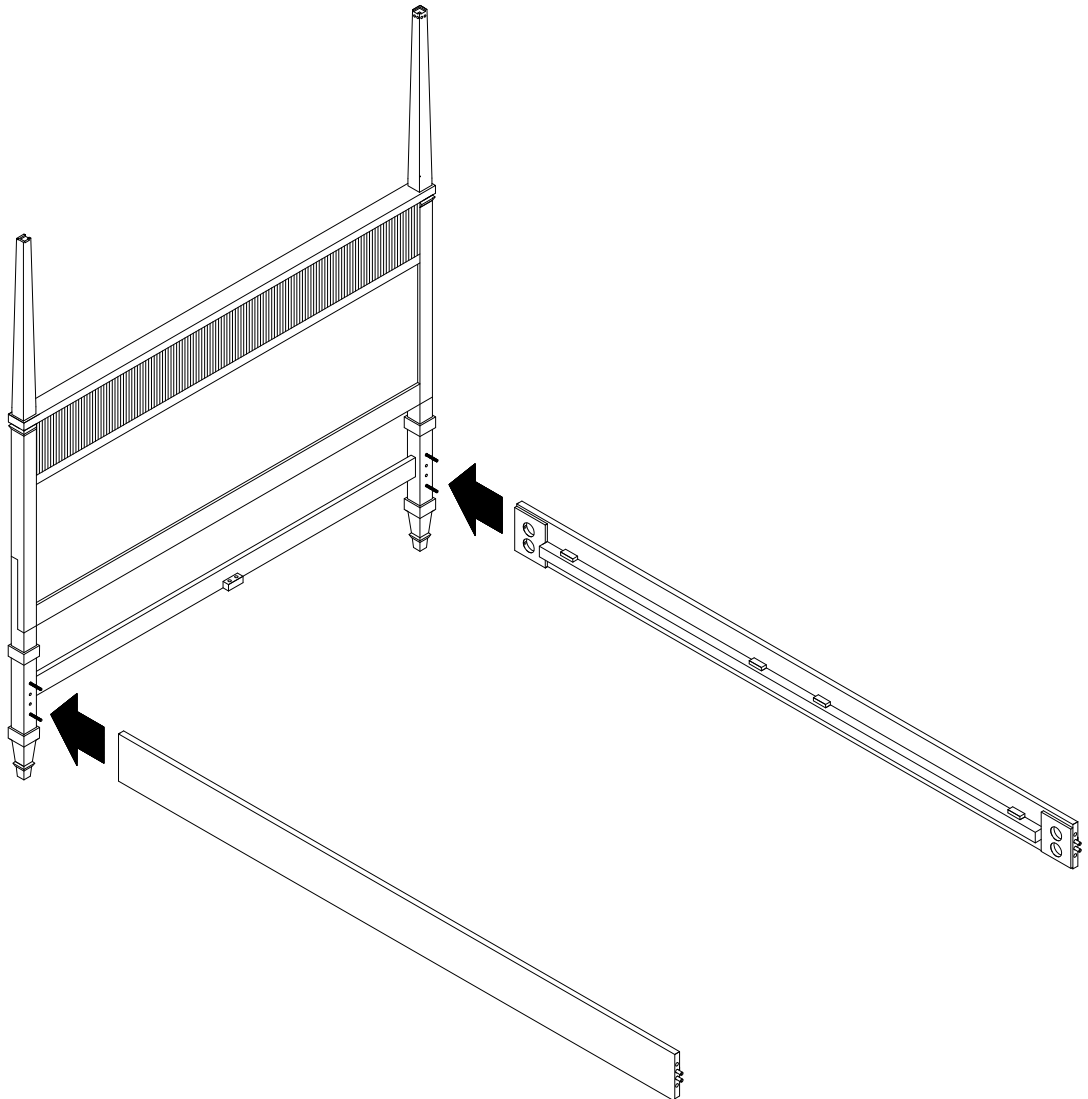


STEP 11

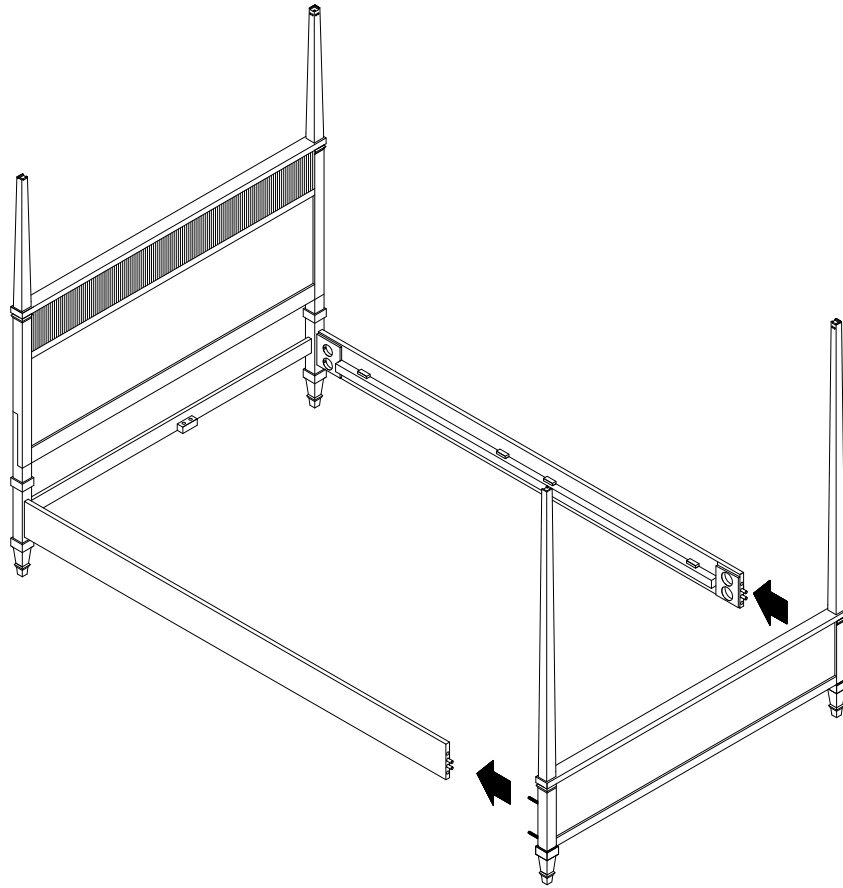
H		8 PCS
---	---	-------





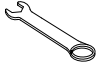
STEP 12

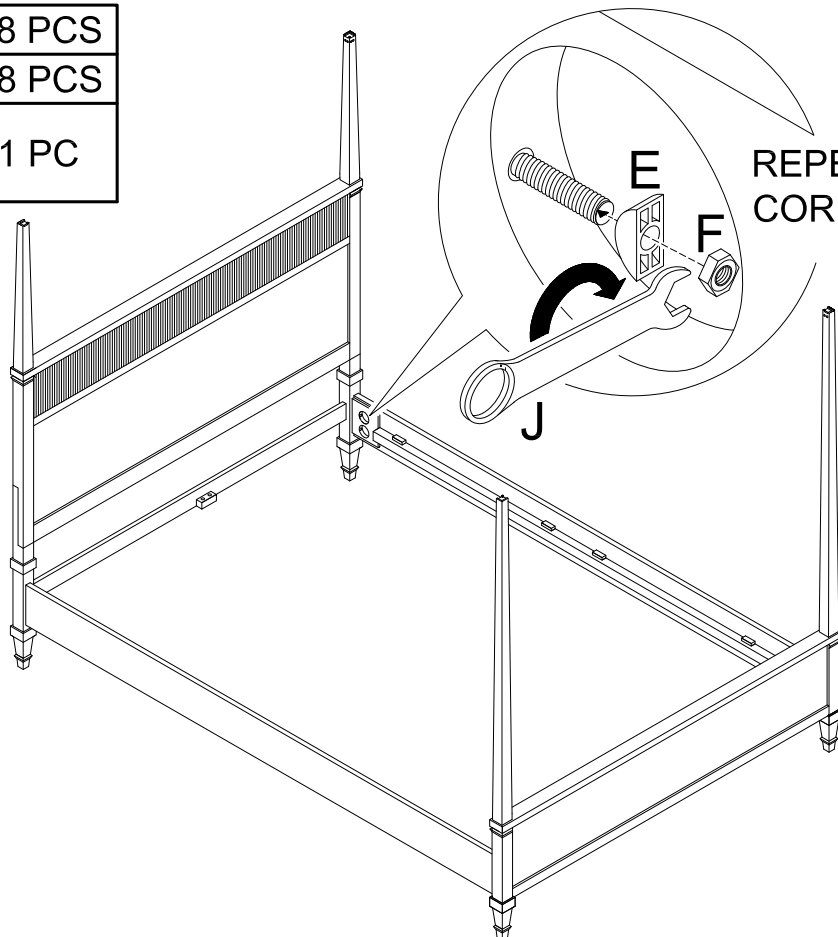


STEP 13

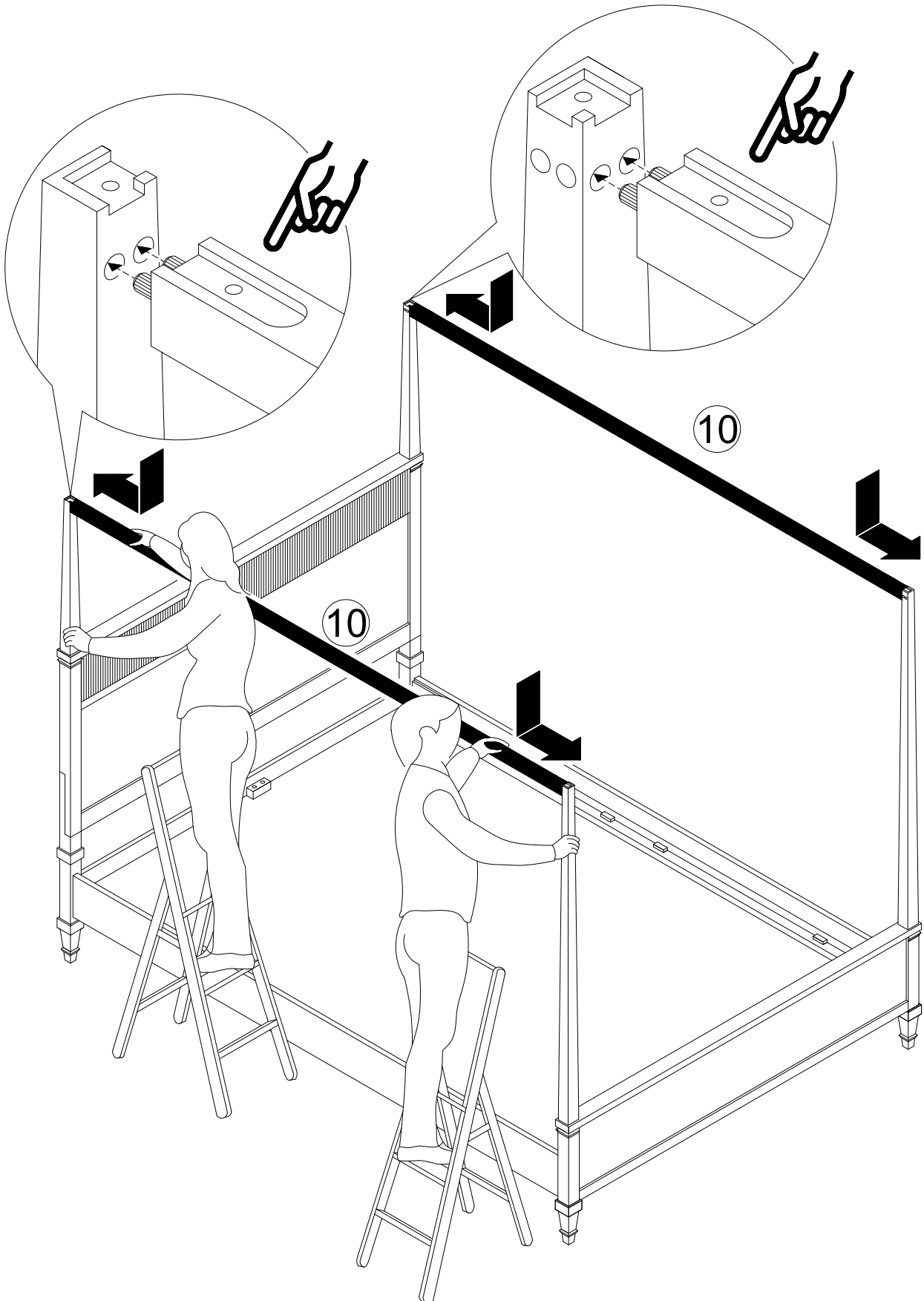


STEP 14

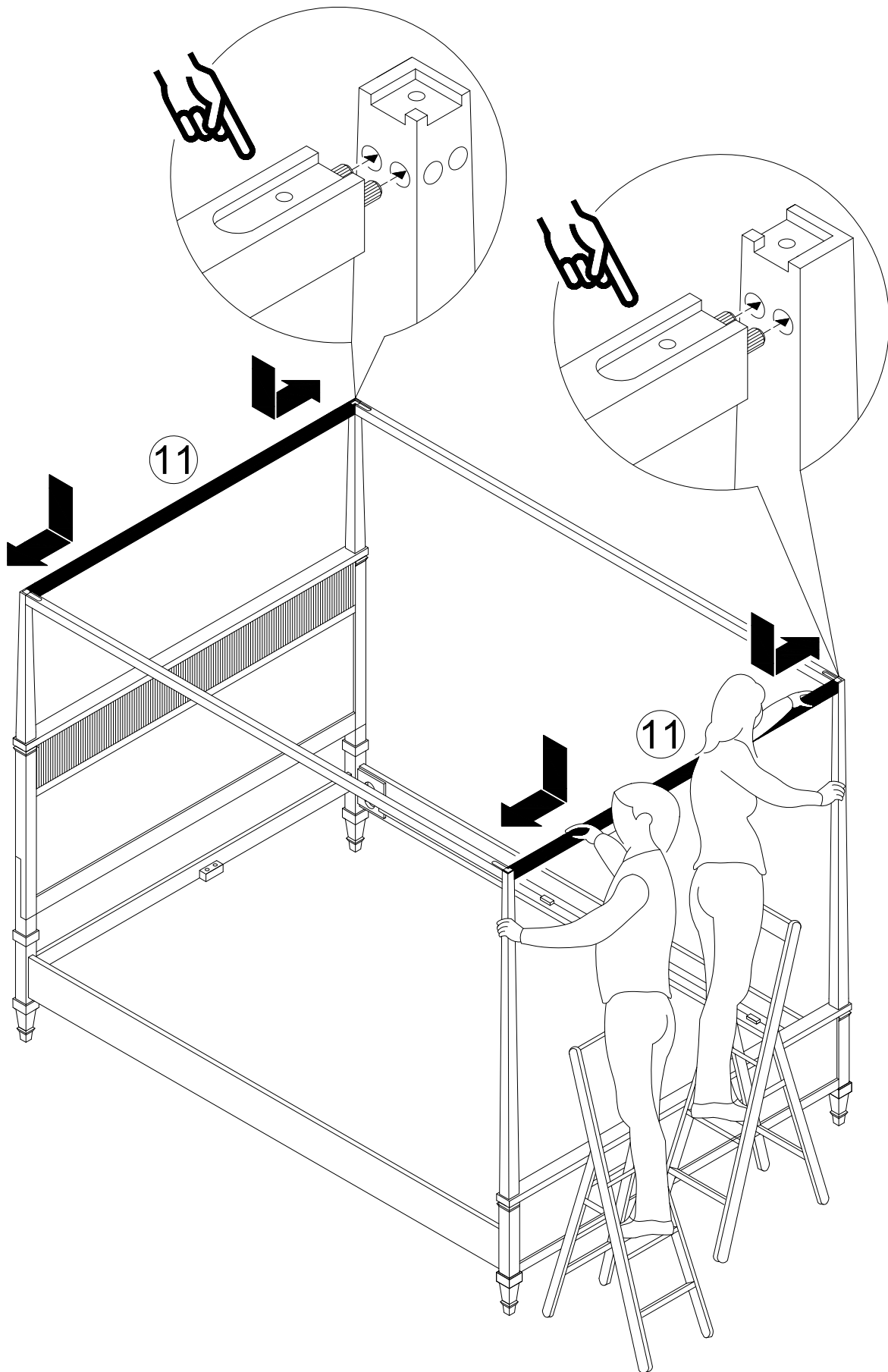
E		8 PCS
F		8 PCS
J		1 PC





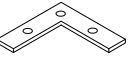
STEP 15

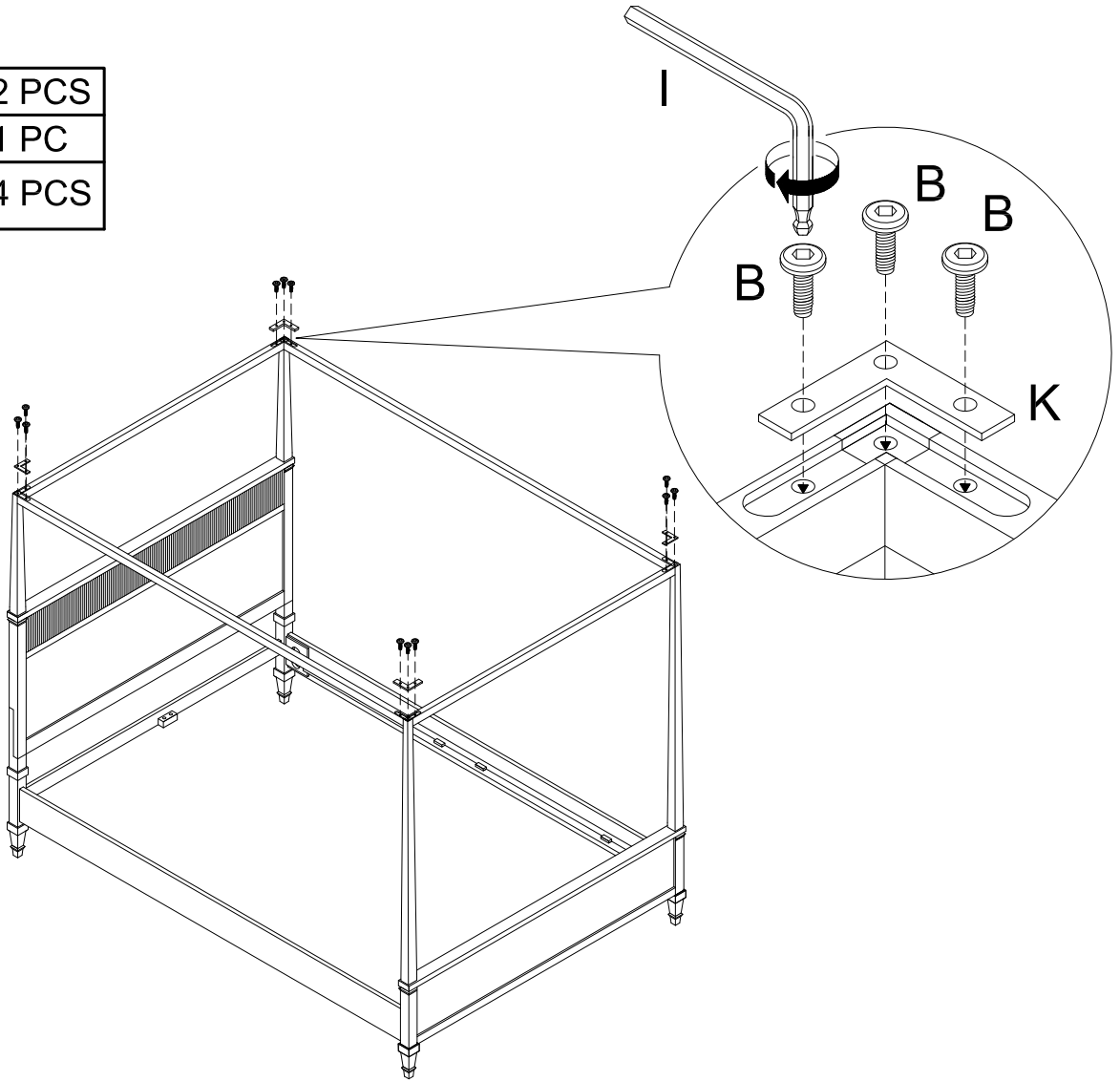


STEP 16

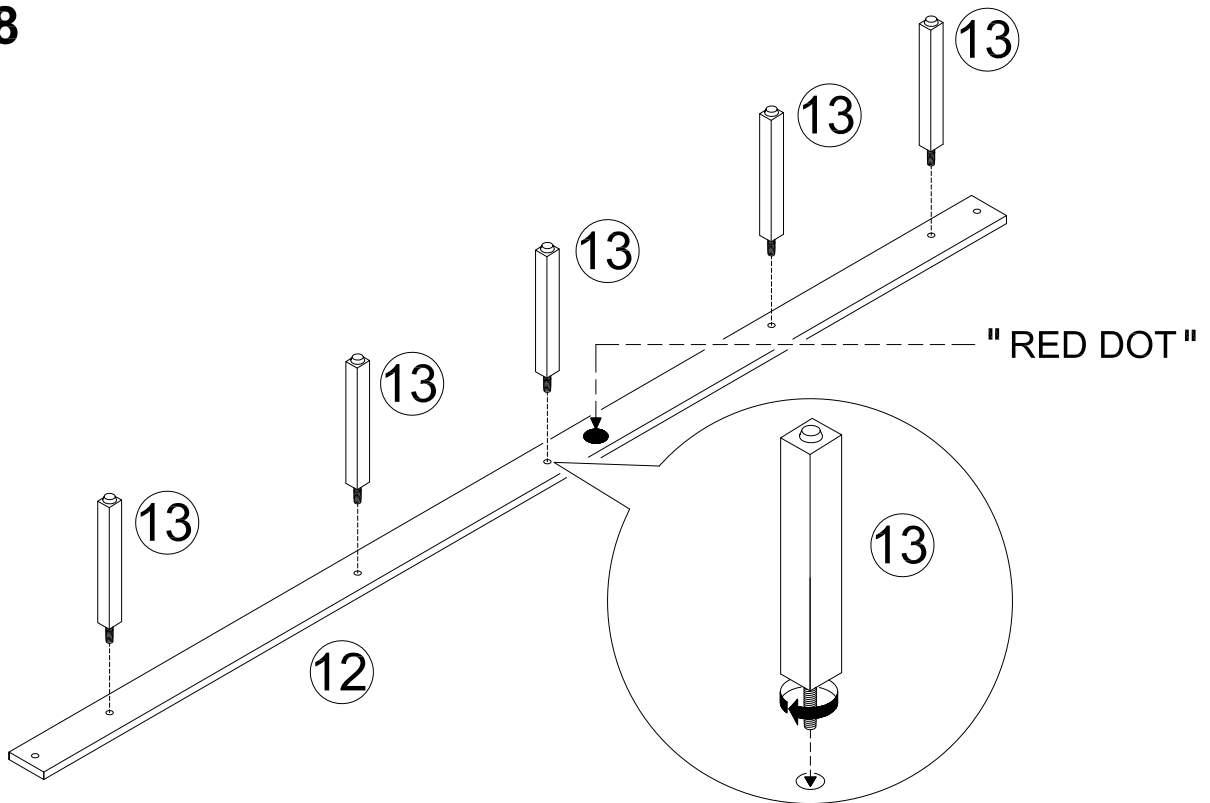


STEP 17



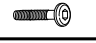
B		12 PCS
I		1 PC
K		4 PCS

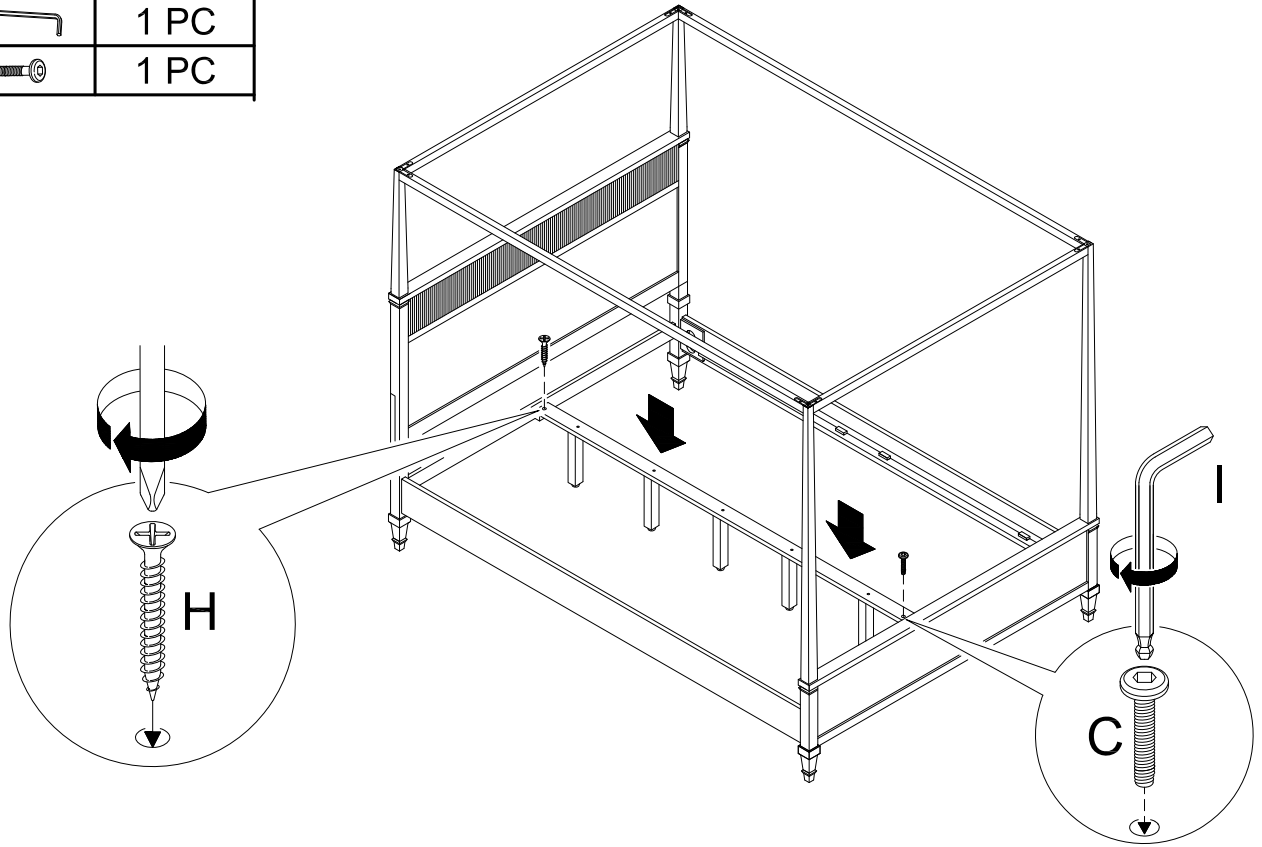


STEP 18

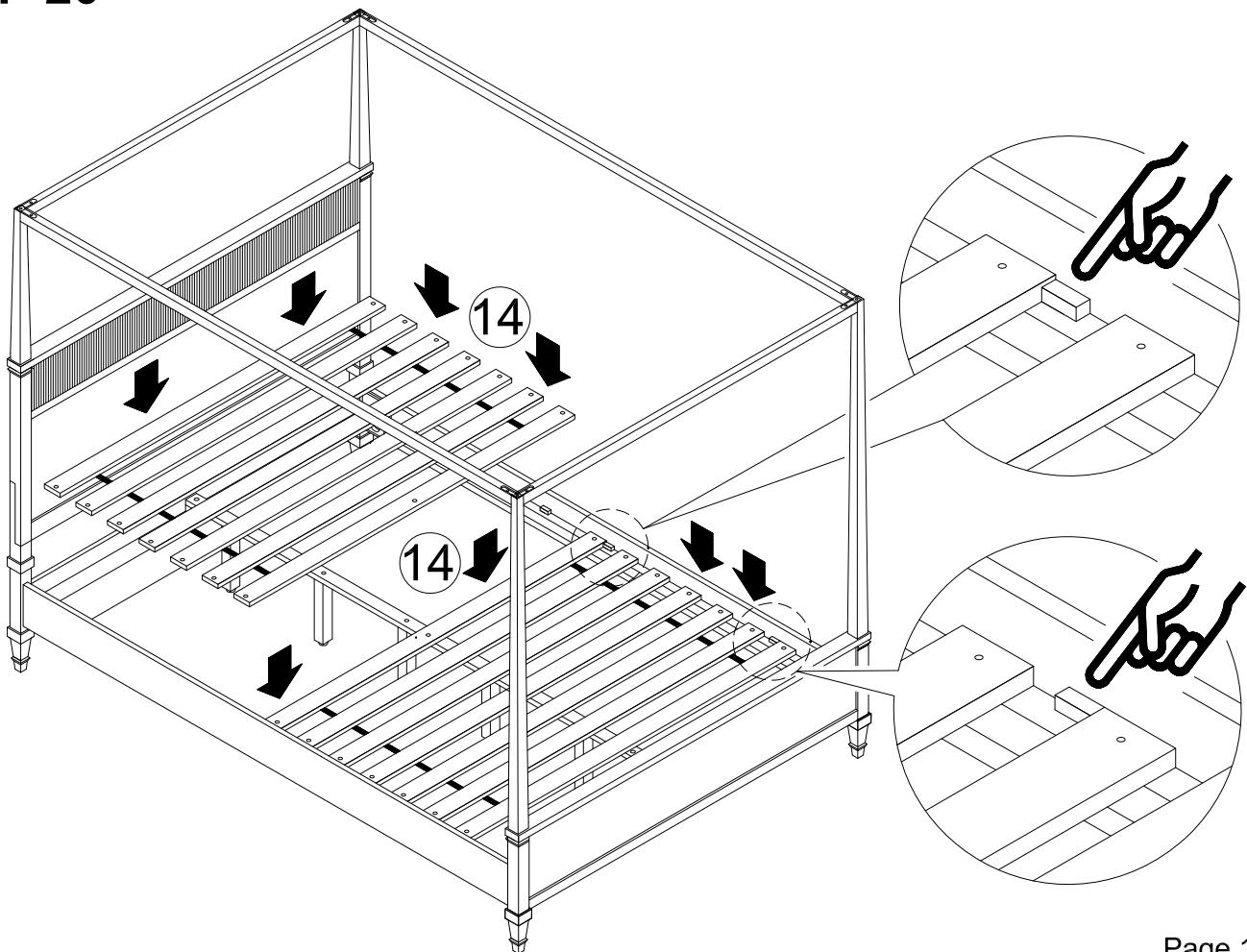


STEP 19

H		1 PC
I		1 PC
C		1 PC

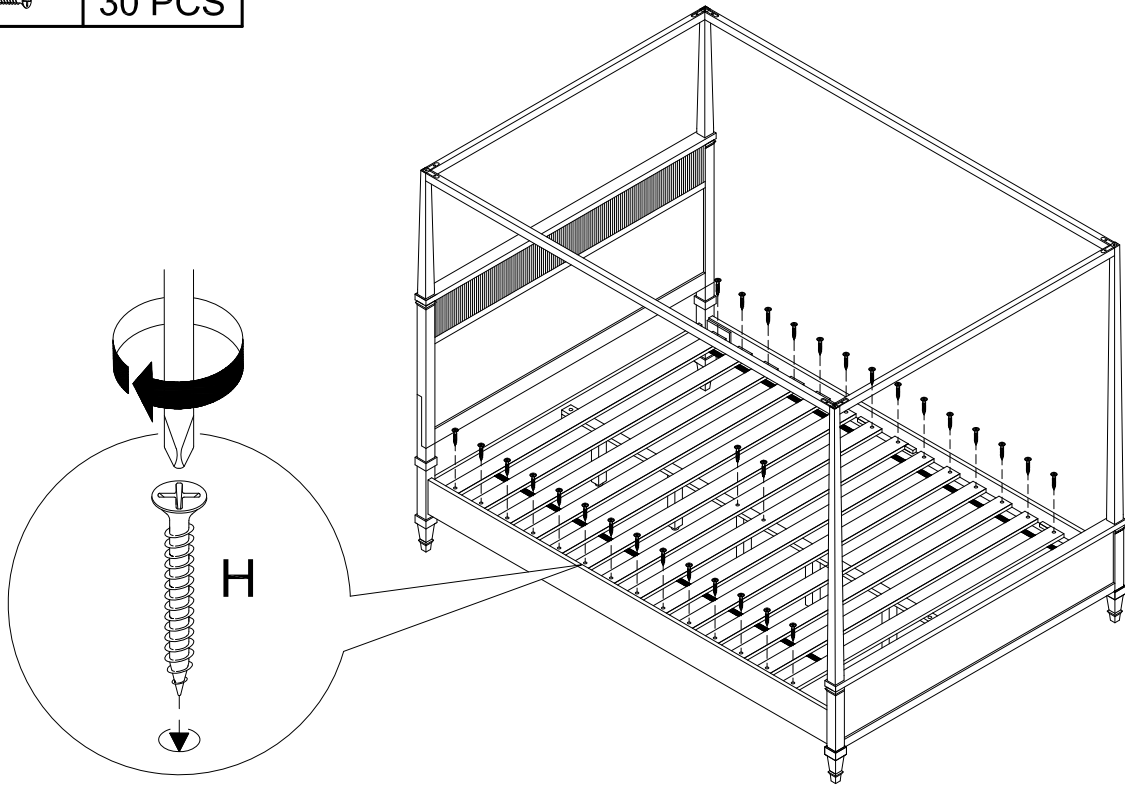


STEP 20

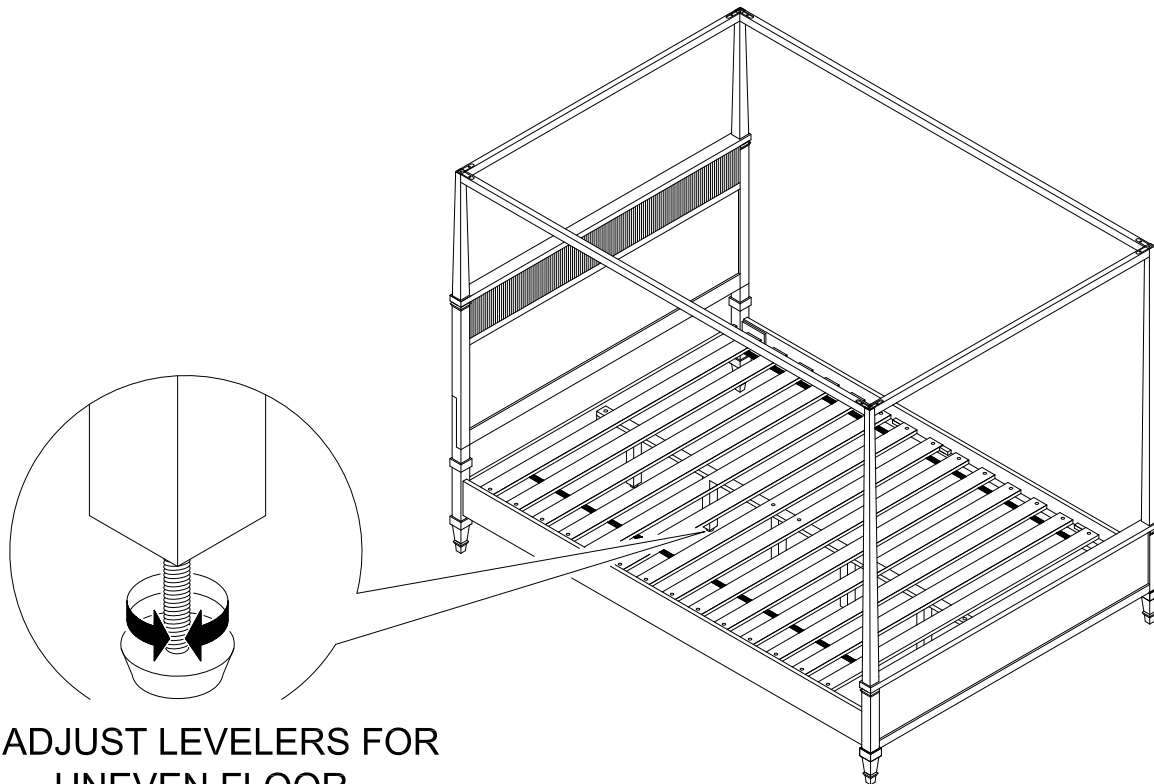


STEP 21

H		30 PCS
---	---	--------



STEP 22



ADJUST LEVELERS FOR
UNEVEN FLOOR

Care & Maintenance

Do...



Wipe up spills immediately.



Dust and pick-up spills using a clean, non-colored, lint-free, dry cloth.



Use mild non-abrasive soap and water.

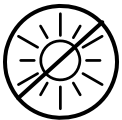
Don't...



Do not put hot items directly on furniture surface.



Do not clean furniture with harsh cleansers or polish.



Do not place furniture in direct sunlight.



Do not place furniture near heating or cooling vents.



Do not write on furniture without a padded barrier to protect the surface.



Do not place furniture outside. For indoor use only.