



ASSEMBLY INSTRUCTIONS

Description: HIGHLAND ACCENT BENCH

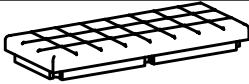



Important safety instructions:

- Please read carefully all instructions before assembly.
- For your safety and ease, assembly by two or more adults is recommended.
- Keep instructions for future use.






Pre-assembly:

- Do not discard any content until assembly is complete to avoid accidentally discarding small parts or hardware.
- Take out all parts and hardware from box.

Parts List

Item	Description	QTY
P1	Seat Frame 	1
P2	Shelf Frame 	1
P3	Side Legs 	4
P4	Center Legs 	2

Hardware List


Item	Description	QTY
H1	Bolts 1/4" x 2 1/2" 	12
H2	Bolts 1/4" x 1 3/8" 	6
H3	Lock Washers 1/4" 	18
H4	Flat Washers 1/4" 	18
H5	Allen Wrench 	1

DISCLAIMER:

WHEN PROPERLY ASSEMBLED, THIS ITEM IS SAFE FOR INTENDED USE. SELLER IS NOT LIABLE FOR ANY DAMAGES RESULTING FROM ITEM BEING IMPROPERLY ASSEMBLED AFTER PURCHASE.

Assembly Procedures:

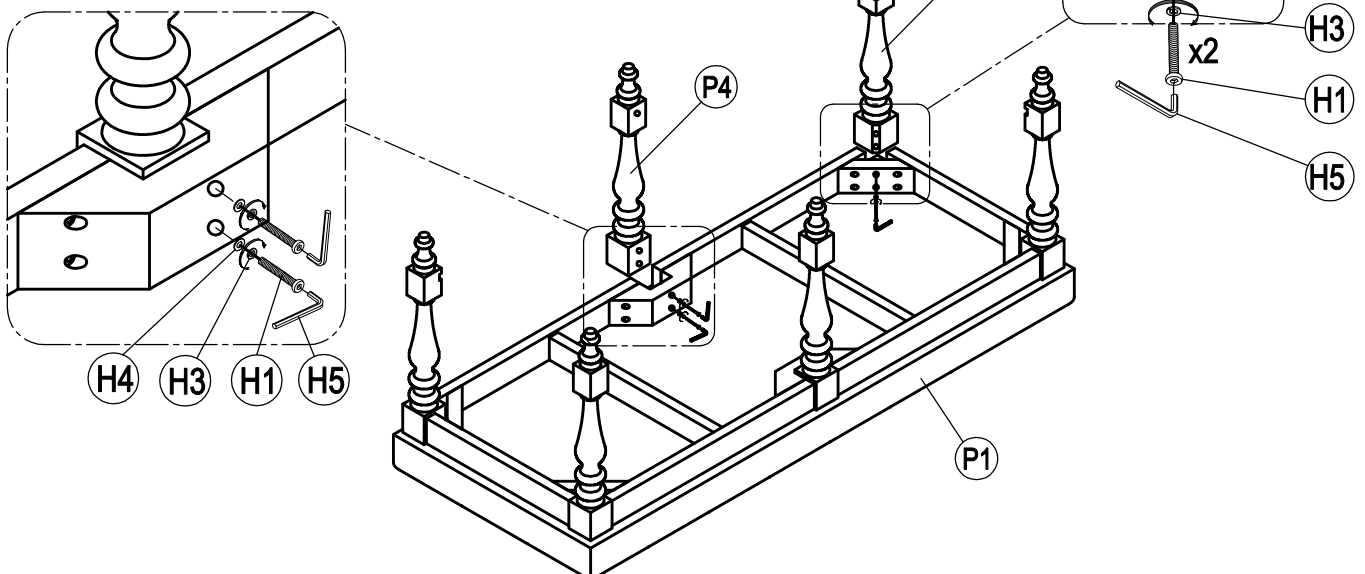
Step 1: Assemble the Bench on the Flat, Soft surface as a carpet or cloth to prevent scratching the finish. Attach the Side Legs (P3) and Center Legs (P4) to the Seat Frame (P1) as shown below, do not tighten Bolts:

(H1)x12 Bolts 1/4" x 2 1/2" 


(H3)x12 Lock Washers 1/4" 

(H4)x12 Flat Washers 1/4" 

(H5)x1 Allen Wrench 



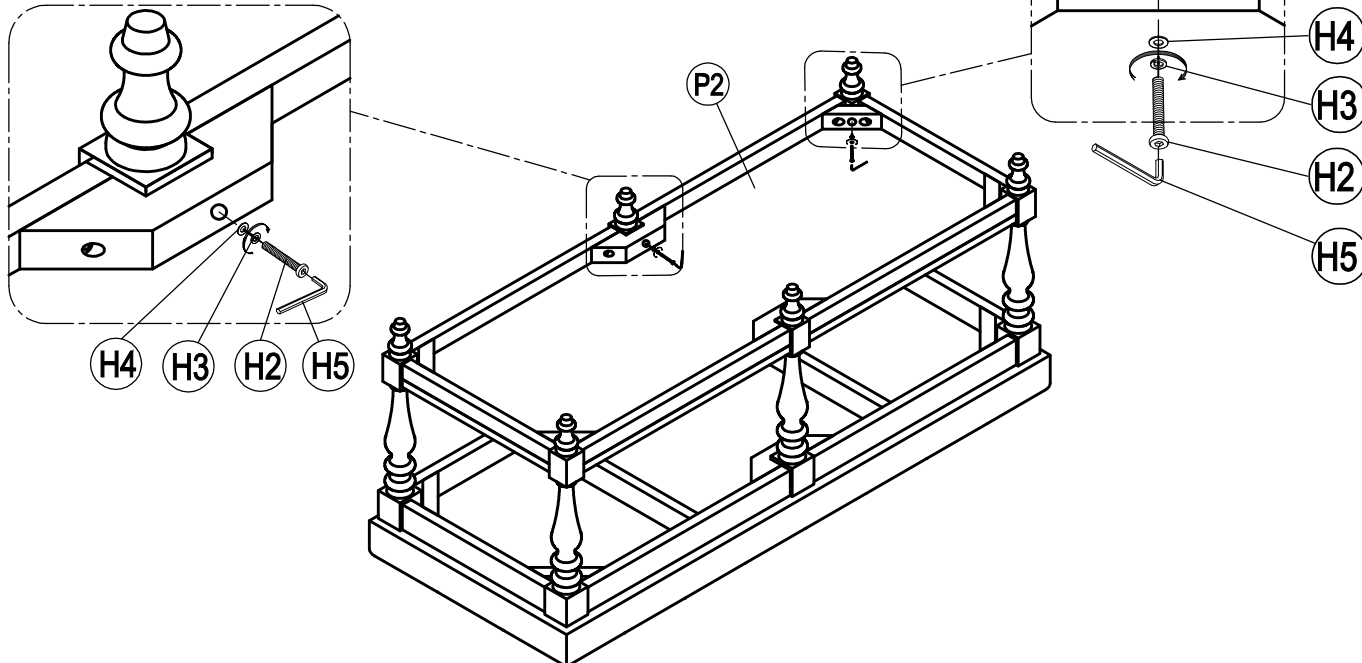
Step 2: Attach Side Legs (P3) and Center Legs (P4) to Shelf Frame (P2) as shown below then tighten all Bolts.

(H2)x6 Bolts 1/4" x 1 3/8" 

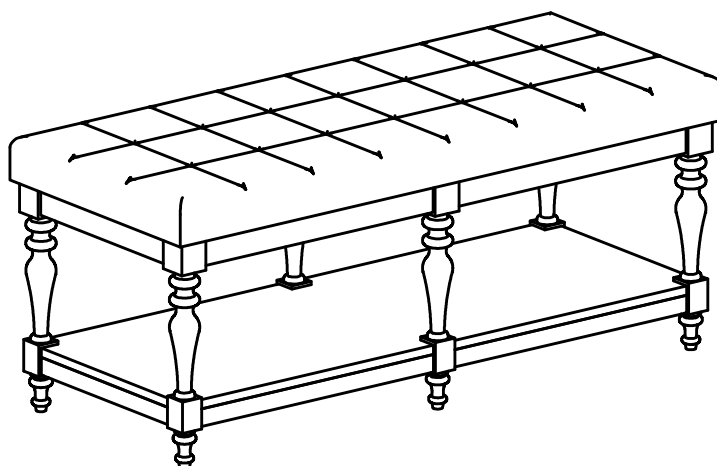
(H3)x6 Lock Washers 1/4" 

(H4)x6 Flat Washers 1/4" 

(H5)x1 Allen Wrench 



Step 3: Turn the assembled Bench to an upright position. Assembly is complete.



ADDITIONAL NOTE ABOUT SAFETY: BOLTS MAY LOOSEN DURING NORMAL EVERYDAY USE. THEY SHOULD BE PERIODICALLY INSPECTED AND RE-TIGHTENED TO PREVENT DAMAGE OR INJURY. ALWAYS CHECK TO ENSURE THAT ALL HARDWARE IS KEPT TIGHTENED.

Thank you for your purchase