


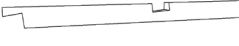

Important safety instructions:

- Please read carefully all instructions before assembling.
- For your safety and ease, assembly by two or more adults is recommended.
- Keep instructions for future use.

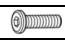



Pre-assembly:

- Do not discard any content until assembly is completed to avoid accidentally discarding small parts or hardware.
- Remove all parts and hardware from box along with any protective packaging.

Parts List

Item	Description	DRAWING	QTY
P1	Swivel Counter Stool		1
P2	Legs		4
P3	Wooden Ring		1

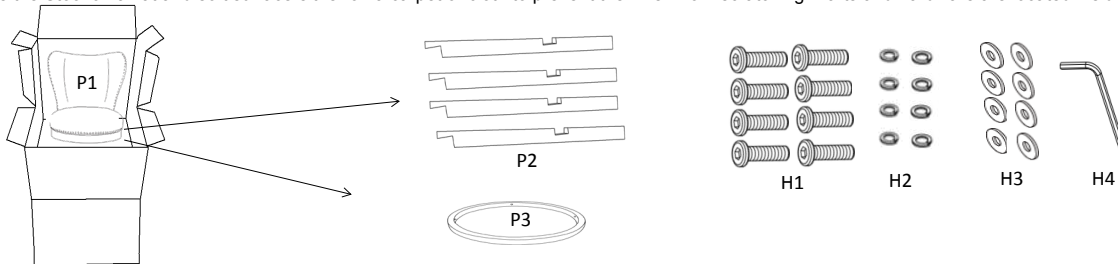
Hardware List

Item	Description	DRAWING	QTY
H1	Bolts $\phi 5/16" \times 1-3/4"$		8
H2	Lock Washers $\phi 5/16"$		8
H3	Flat Washers $\phi 5/16"$		8
H4	Allen Wrench		1

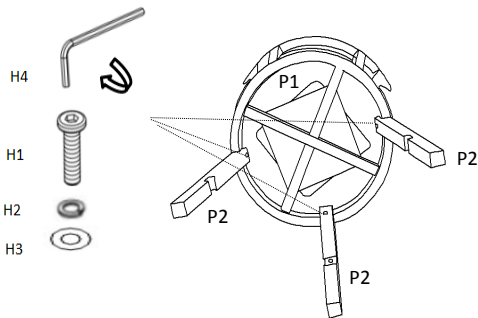
DISCLAIMER:

WHEN PROPERLY ASSEMBLED, THIS ITEM IS SAFE FOR INTENDED USE. SELLER IS NOT LIABLE FOR ANY DAMAGES RESULTING FROM ITEM BEING IMPROPERLY ASSEMBLED AFTER PURCHASE.

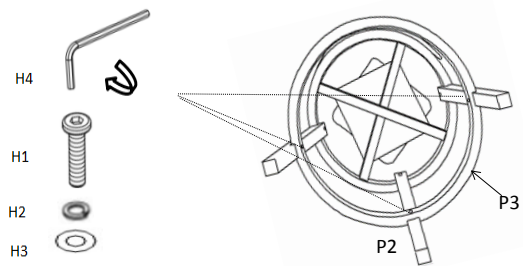
Step 1. Assemble the Stool on a flat and soft surface either on a carpet or cloth to prevent the finish from scratching. Parts and hardware are located inside the carton.



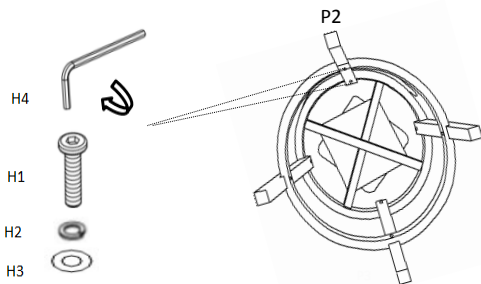
Step 2. Using bolts (H1), lock washers (H2), flat washers (H3), connect legs (P2) to Stool (P1). Tighten bolts (H1) with allen wrench (H4). Assemble three legs first as illustration below.



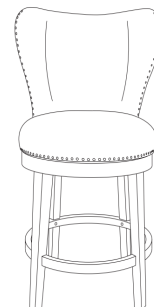
Step 3. Then using bolts (H1), lock washers (H2), flat washers (H3), connect wooden ring (P3) to legs (P2). Tighten bolts (H1) with allen wrench (H4).



Step 4. Assemble the last leg (P2), Tighten the hardware as in the previous steps.



Step 5. Place Stool upright on a level surface. Assembly is complete.



ADDITIONAL NOTE ABOUT SAFETY: BOLTS MAY LOOSEN DURING NORMAL EVERYDAY USE. THEY SHOULD BE PERIODICALLY INSPECTED AND RE-TIGHTENED TO PREVENT DAMAGE OR INJURY. ALWAYS CHECK TO ENSURE THAT ALL HARDWARE IS KEPT TIGHTENED.