

OLIVER DINING BENCH

Assembly instructions:

PARTS LIST

No.	DESCRIPTION	IMAGE	Q'TY
P1	SEAT FRAME		1
P2	LEGS		4
P3	LONG STRECHER		2
P4	SHORT STRECHER		2

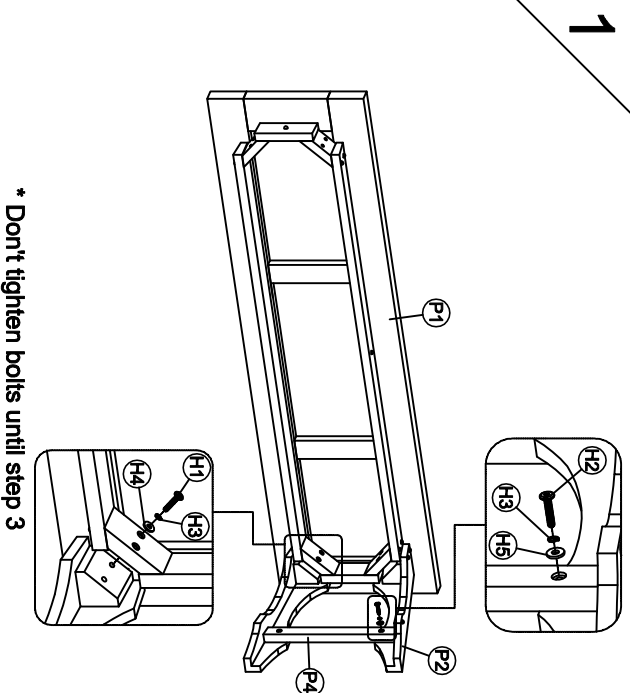
HARDWARE LIST

No.	DESCRIPTION	IMAGE	Q'TY
H1	BOLT (Ø5/16" X 60 MM)		8
H2	BOLT (Ø1/4" X 25 MM)		8
H3	SPRING WASHER (Ø5/16")		16
H4	FLAT WASHER (Ø5/16")		8
H5	FLAT WASHER (Ø1/4")		8
H6	ALLEN KEY		1

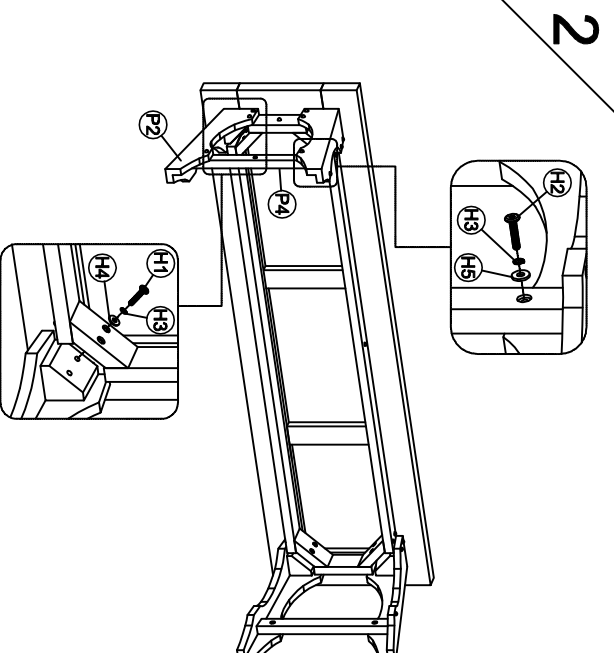
NOTE: PO # is located underneath/ at the back side of each item. Please be prepared to provide this # should any claim be necessary.

CAUTION: Item is heavy. Assembly should be performed by two people.

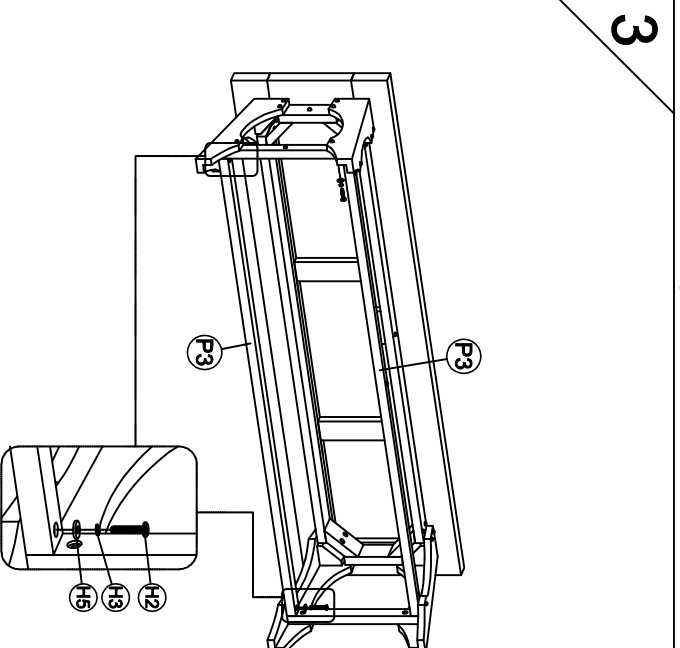
1



2



3



4

