

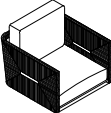
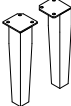


Important safety instructions:

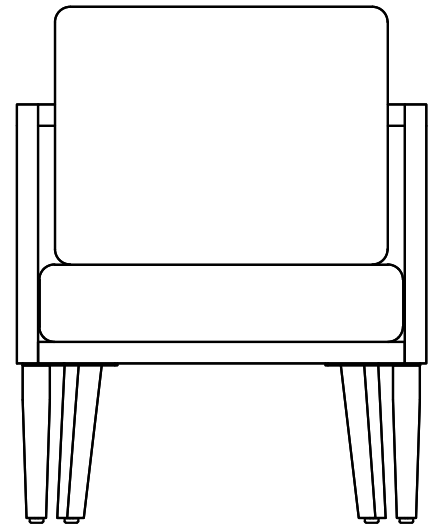
- Please carefully read all instructions before assembling.
- For your safety and ease, assembly by two or more adults is recommended.
- Keep instructions for future use.

Pre-assembly:


- Do not discard any contents until after assembly is complete to avoid accidentally discarding small parts or hardware.
- Remove all parts and hardware from box along with any plastic protective packaging.

Parts List

Item	Description		QTY
P1	REST & REMOVABLE SEAT & REMOVABLE CUSHION		1
P2	Front Legs		2
P3	Back Leg Right		1
P4	Back Leg Left		1



Hardware List

Item	Description		QTY
H1	Bolts M6 X 20mm		12
H2	Lock Washer Ø6 x Ø11 x 2mm		12
H3	Flat Washer Ø6 x Ø16 x 1mm		12
H4	Allen Wrench 4 mm		1

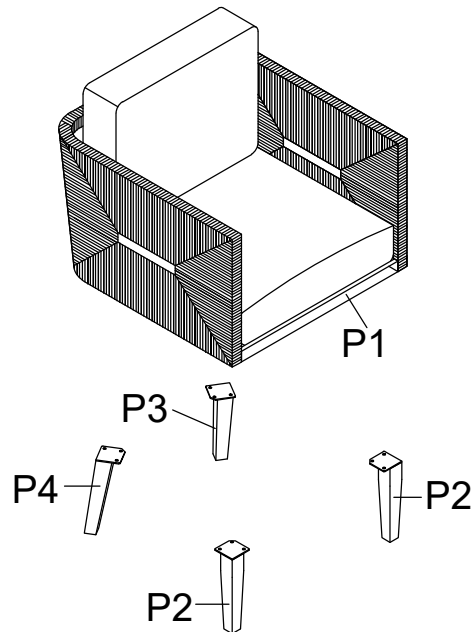
DISCLAIMER:

WHEN PROPERLY ASSEMBLED, THIS ITEM IS SAFE FOR INTENDED USE. SELLER IS NOT LIABLE FOR ANY DAMAGES RESULTING FROM ITEM BEING IMPROPERLY ASSEMBLED AFTER PURCHASE.

Assembly Procedures:

Step 1.

1) Assemble the Blake Accent Chair on a flat, soft surface such as a carpet or cloth to prevent scratching the finishing.



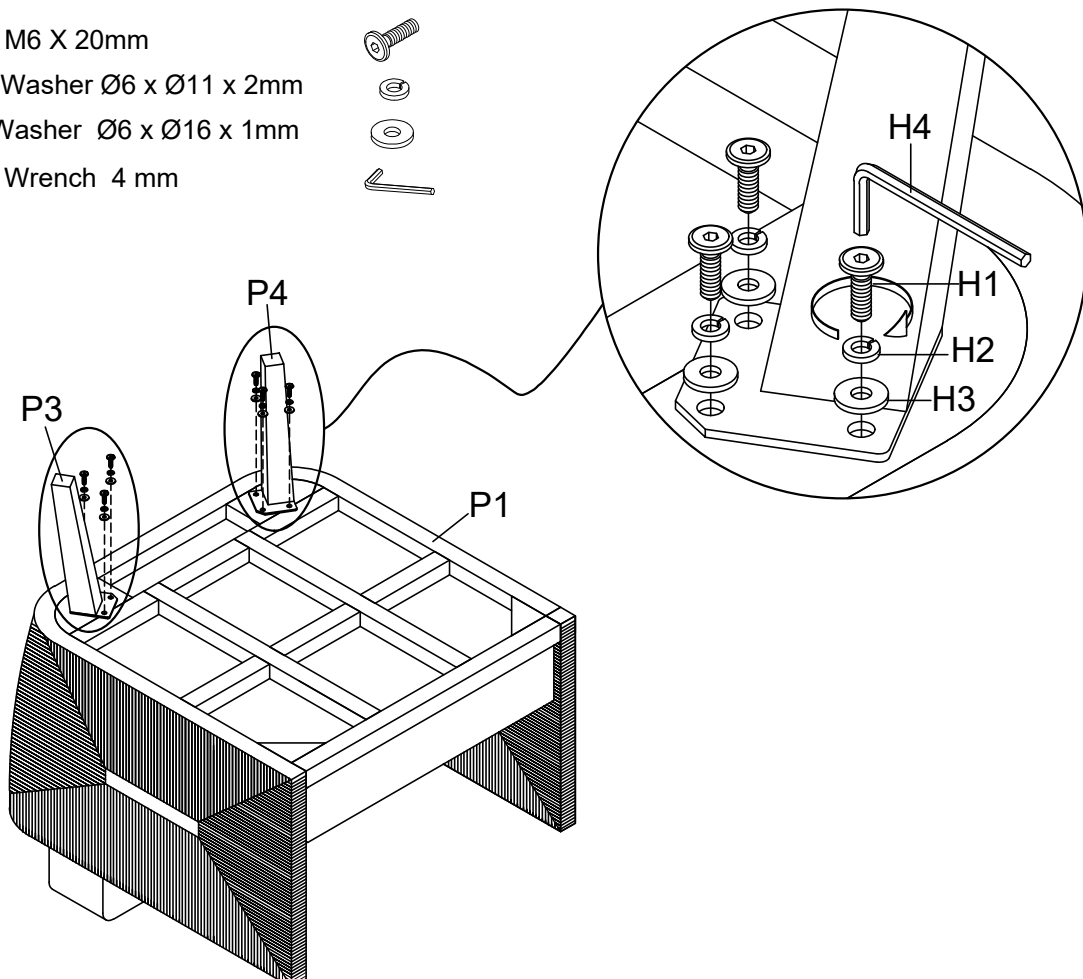
2) Attach Back leg right (P3), Back Leg left (P4) to Chair top (P1) using Allen key (H4), Lock washer (H2), Flat washer (H3), and 20 MM Bolt (H1).

(H1)x6 Bolts M6 X 20mm

(H2)x6 Lock Washer Ø6 x Ø11 x 2mm

(H3)x6 Flat Washer Ø6 x Ø16 x 1mm

(H4)x1 Allen Wrench 4 mm



ASSEMBLY INSTRUCTIONS

Description: BLAKE ACCENT CHAIR

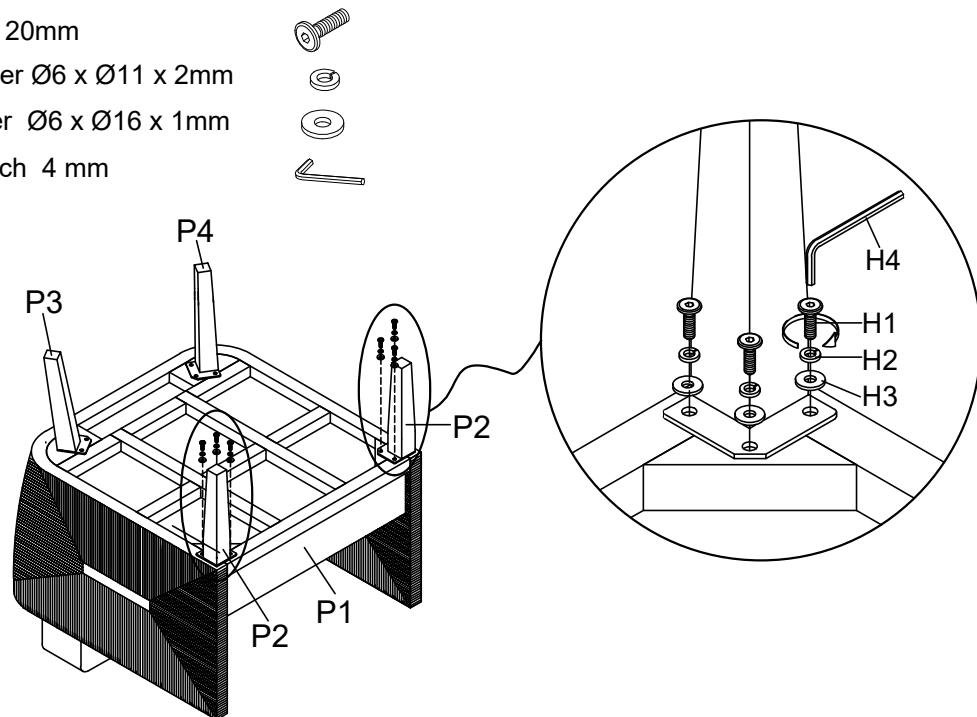
Step 2: Attach Front Legs (P2) to Chair top (P1) using Allen key (H4), Lock washer (H2), Flat washer (H3), and 20 MM Bolt (H1).

(H1)x6 Bolts M6 X 20mm

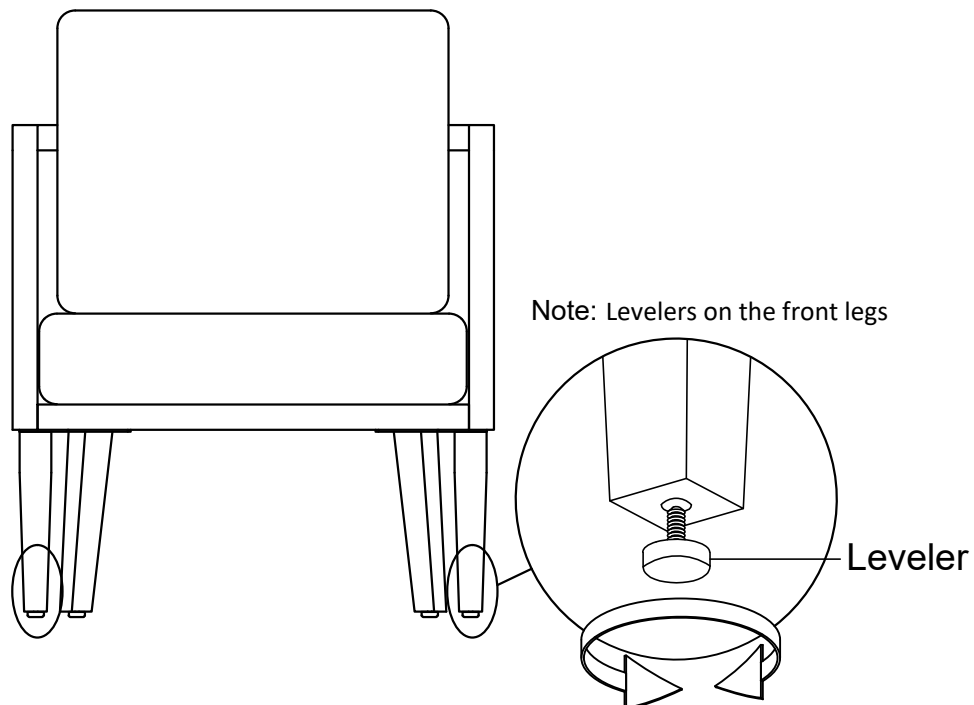
(H2)x6 Lock Washer Ø6 x Ø11 x 2mm

(H3)x6 Flat Washer Ø6 x Ø16 x 1mm

(H4)x1 Allen Wrench 4 mm



Step 3. Turn the assembled chair to an upright position. Assembly is complete.



ADDITIONAL NOTE ABOUT SAFETY: BOLTS MAY LOOSEN DURING NORMAL EVERYDAY USE. THEY SHOULD BE PERIODICALLY INSPECTED AND RE-TIGHTENED TO PREVENT DAMAGE OR INJURY. ALWAYS CHECK TO ENSURE THAT ALL HARDWARE IS KEPT TIGHTENED.

Disclaimer: When properly assembled, this item is safe for intended use. Seller is not liable for any damages resulting from item being improperly assembled after purchase.

Thank you for your purchase