

# ASSEMBLY INSTRUCTIONS

Description: **Bordeaux Coffee Table**





### Important safety instructions:

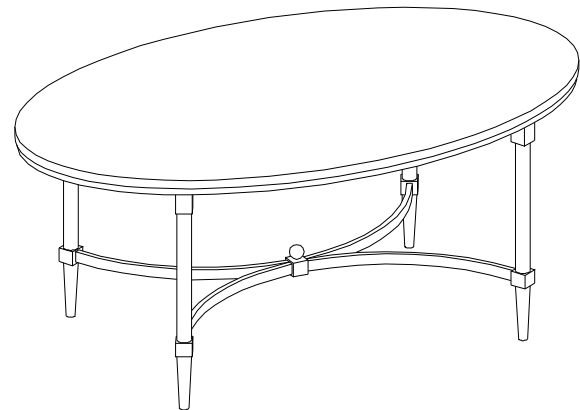
- Please read carefully all instructions before assembly.
- For your safety and ease, assembly by two or more adults is recommended.
- Keep instructions for future use.

### Pre-assembly:


- Do not discard any content until assembly is complete to avoid accidentally discarding small parts or hardware.
- Take out all parts and hardware from box.

### Parts List

Item	Description		QTY
P1	Marble Top		1
P2	Posts		4
P3	Stretcher		1
P4	Feet		4



### Hardware List

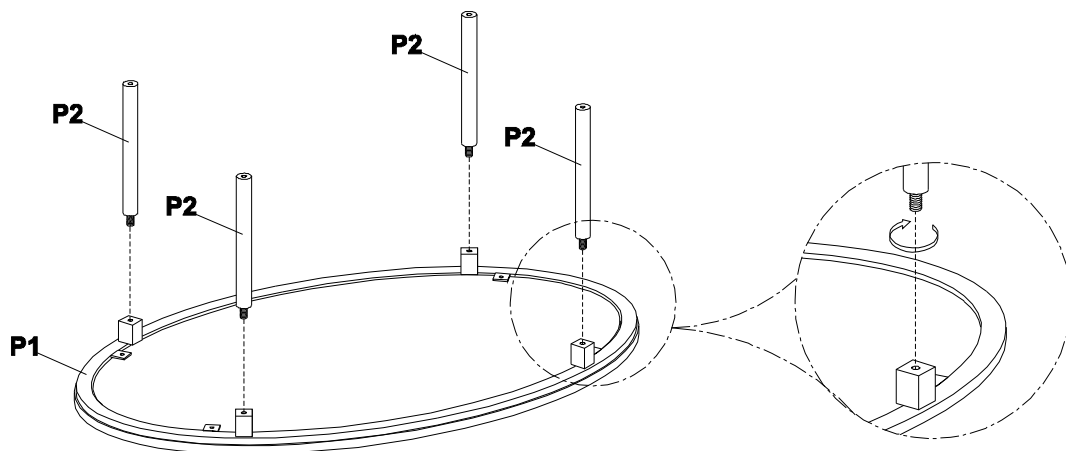
Item	Description		QTY
H1	Finial		1

### DISCLAIMER:

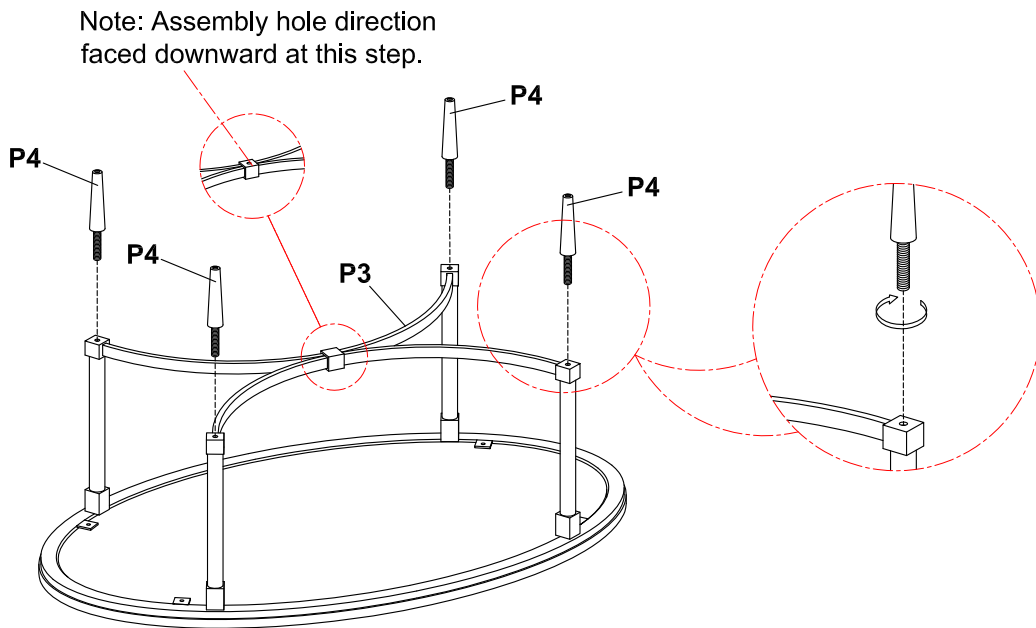
WHEN PROPERLY ASSEMBLED, THIS ITEM IS SAFE FOR INTENDED USE. SELLER IS NOT LIABLE FOR ANY DAMAGES RESULTING FROM ITEM BEING IMPROPERLY ASSEMBLED AFTER PURCHASE.

### Assembly Procedures:

**Step 1.** Assemble the table on a flat, soft surface such as a carpet or cloth to prevent scratching the finish. Attach each post (P2) to the bottom of marble top (P1) as shown below. Securely tighten the posts (P2).



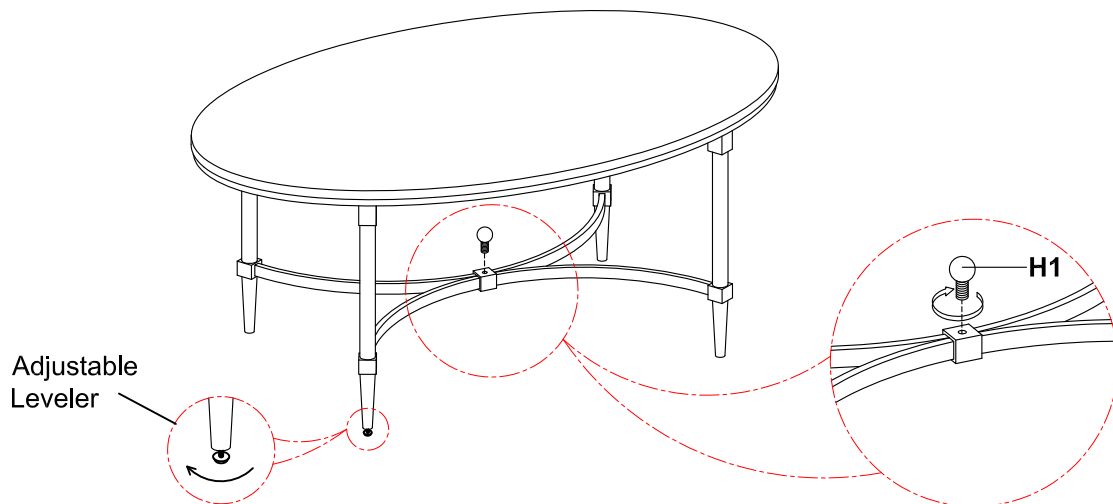
**Step 2.** Attach each foot (P4) to the post (P2) through the stretcher (P3) as shown below. Securely tighten the feet (P4).



**Step 3.**

- 1) Turn the assembled table to an upright position.
- 2) Securely tighten the finial (H1) to the stretcher (P3).
- 3) **Leveler adjustment:** Leveler are installed on the legs and adjust as needed to make sure the table is level. Assembly is complete.

(H1)x1 Finial 



**Caution:** Failure to follow these instructions may cause the bolts to misalign during assembly.

**ADDITIONAL NOTE ABOUT SAFETY:**

**BOLTS MAY LOOSEN DURING NORMAL EVERYDAY USE.**

**THEY SHOULD BE INSPECTED AT LEAST EVERY 3 MONTHS AND RE-TIGHTENED AS NEEDED TO PREVENT DAMAGE OR INJURY, AND ENSURE STABILITY.**

Thank you for your purchase