

COOPER COUNTER STOOL

Assembly instructions:

PARTS LIST

No.	DESCRIPTION	IMAGE	QTY
P1	SEAT		1
P2	BACK		1
P3	LEFT FRAME		1
P4	RIGHT FRAME		1
P5	X FRAME - FRONT		1
P6	X FRAME - BACK		1

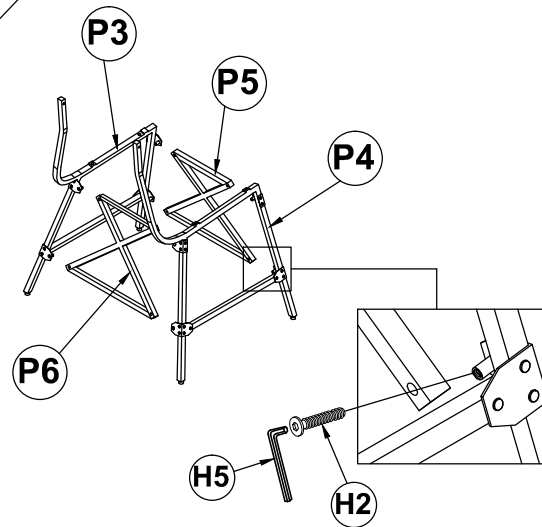
HARDWARE LIST

No.	DESCRIPTION	IMAGE	QTY
H1	BOLT 1/4"X35		6
H2	BOLT 1/4"X13		8
H3	SPRING WASHER		4
H4	FLAT WASHER		4
H5	ALLEN KEY		1

NOTE: PO# is located underneath/ inside of each item. Please be prepared to provide this # should any claim be necessary.

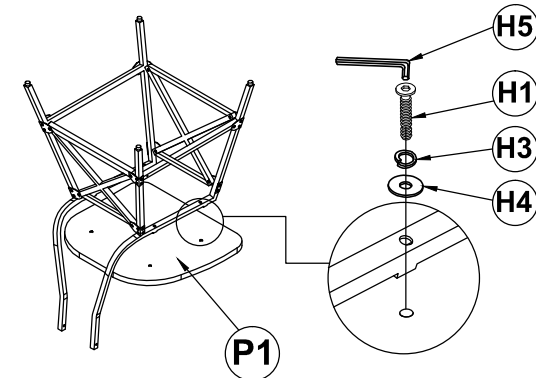
Estimate assembly time : 7 minutes

1

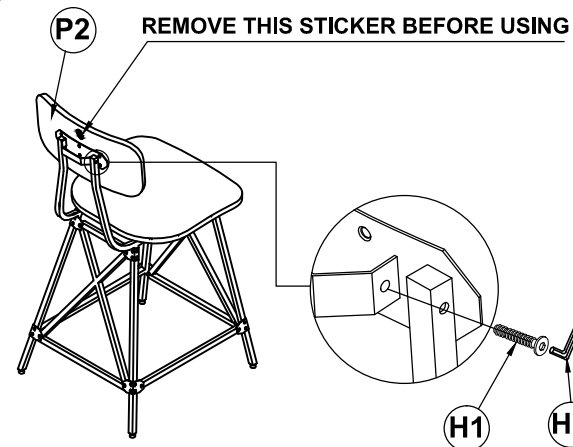


NOTE: DON'T TIGHTEN BOLTS UNTIL INSTALL SEAT

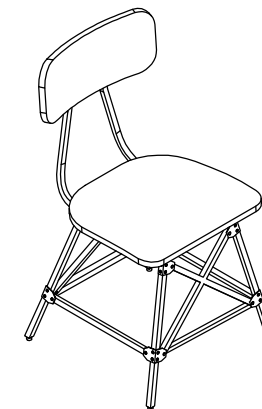
2



3



4



ASSEMBLY COMPLETED