

# COOPER DINING/GATHERING TABLE

*Assembly instructions:*

PARTS LIST			
No.	DESCRIPTION	IMAGE	QTY
P1	TOP		2
P2	FRAME		1
P3	LEG		4
P4	LEG EXTENSION		4
P5	ICE BOX		1
P6	COVER LEAF		1
P7	LEAF TOP		1

HARDWARE LIST			
No.	DESCRIPTION	IMAGE	QTY
H1	BOLT 5/16"X180		4
H2	BOLT 5/16"X70		8
H3	BOLT 1/4"X 40		8
H4	SPRING WASHER		12
H5	FLAT WASHER		12
H6	ALLEN KEY		1

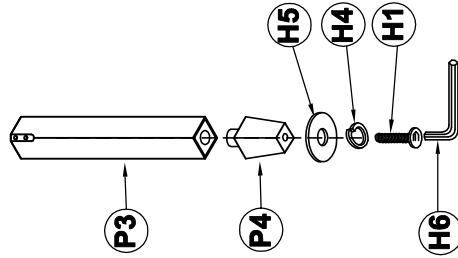
**NOTE:** PO# is located underneath/ inside of each item. Please be prepared to provide this # should any claim be necessary.

**CAUTION:** Item is heavy assembly should be performed by two people.

**Estimate assembly time : 8 minutes**

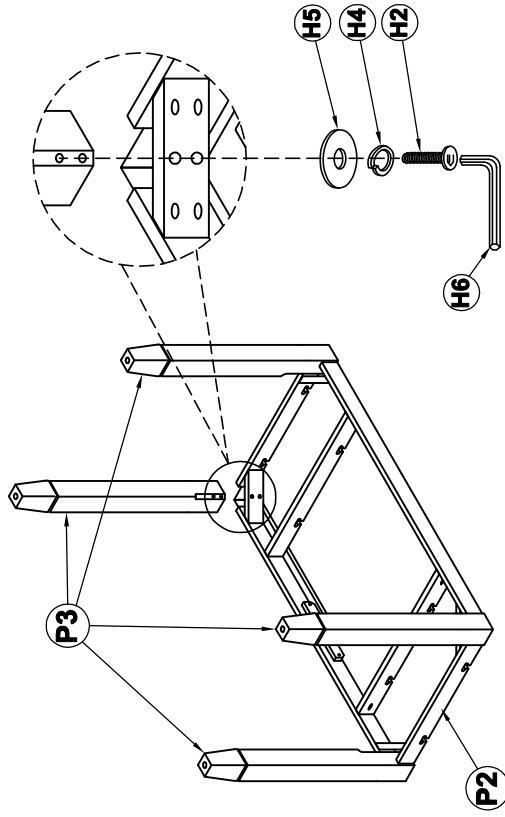
## 1

For dining table, skip to step 2.  
For gathering height table, add leg extensions to each leg.



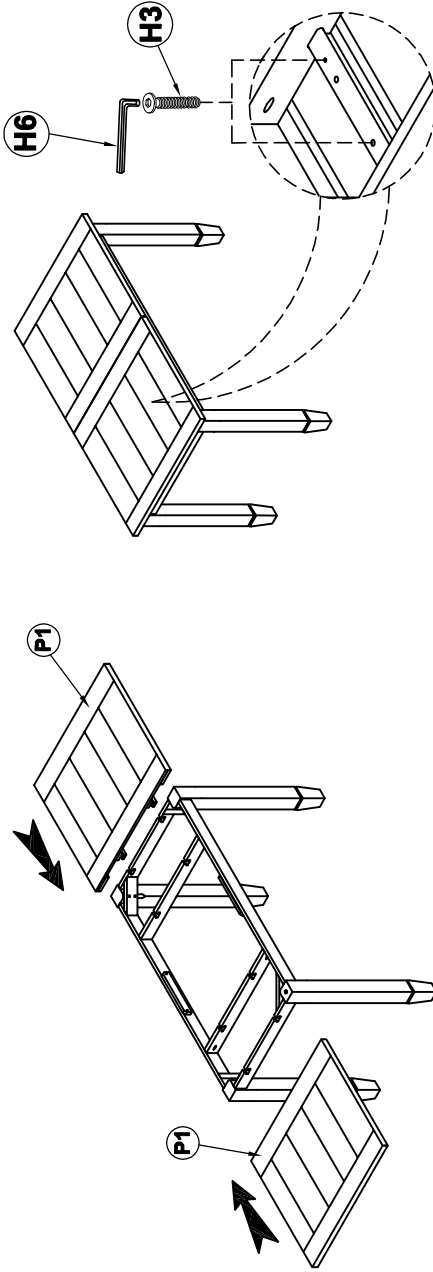
## 2

Attach legs to frame.



## 3

Slide in tops and lock with bolts.

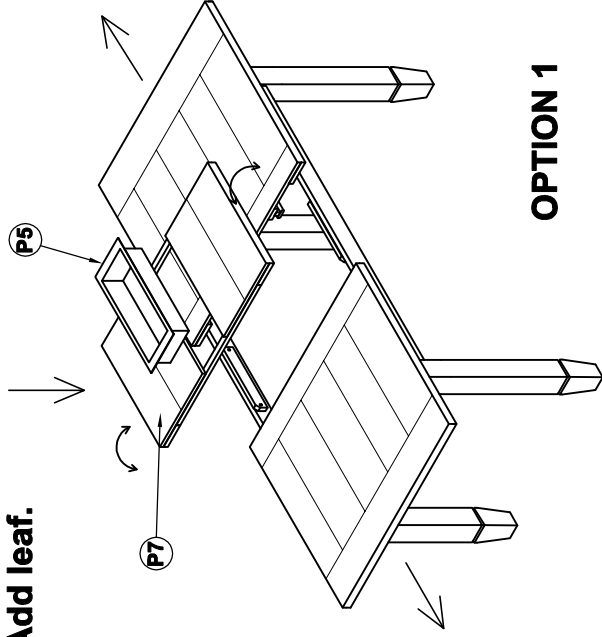


# COOPER DINING/GATHERING TABLE

*Assembly instructions:*

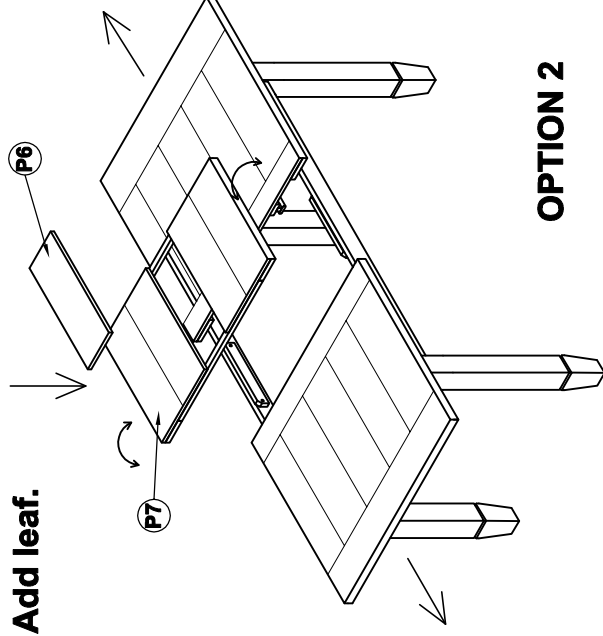
**4**

**Add leaf.**



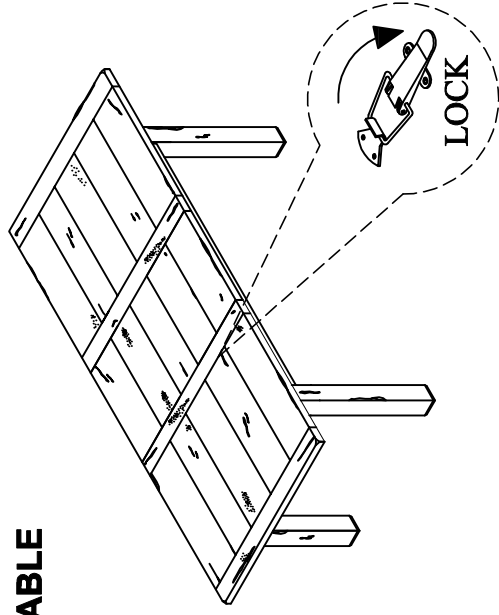
**OPTION 1**

**Add leaf.**

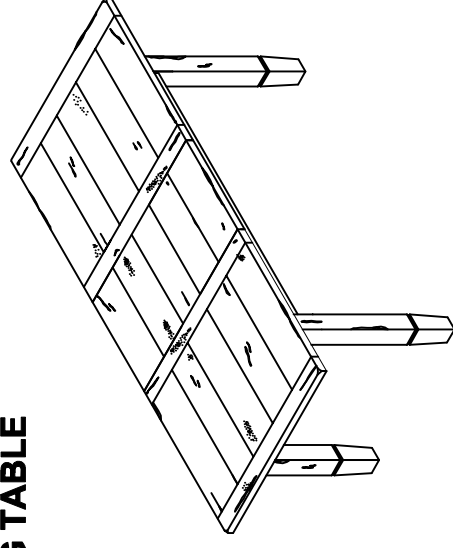


**OPTION 2**

**DINING TABLE**



**GATHERING TABLE**



**ASSEMBLY COMPLETED**