

# ASSEMBLY INSTRUCTIONS

Description: Floor Lamp

### Important Safety Instructions:

- For safety purposes, this lamp is equipped with a polarized plug (one blade is wider than the other). If the plug does not fit securely into your outlet, do not force it, contact a professional electrician. Use the plug with an extension cord only if it can be fully inserted into cord's socket. Never alter the plug in any way.
- These instructions are provided for your safety. It is important that they are read carefully and completely before assembling fixture.
- This fixture has been rated for to (1) 100-watt maximum TYPE A bulb (no included) or (1) 23-watt compact fluorescent light bulb (not included). To avoid the risk of fire, do not exceed the recommended wattage.

### Pre-assembly:

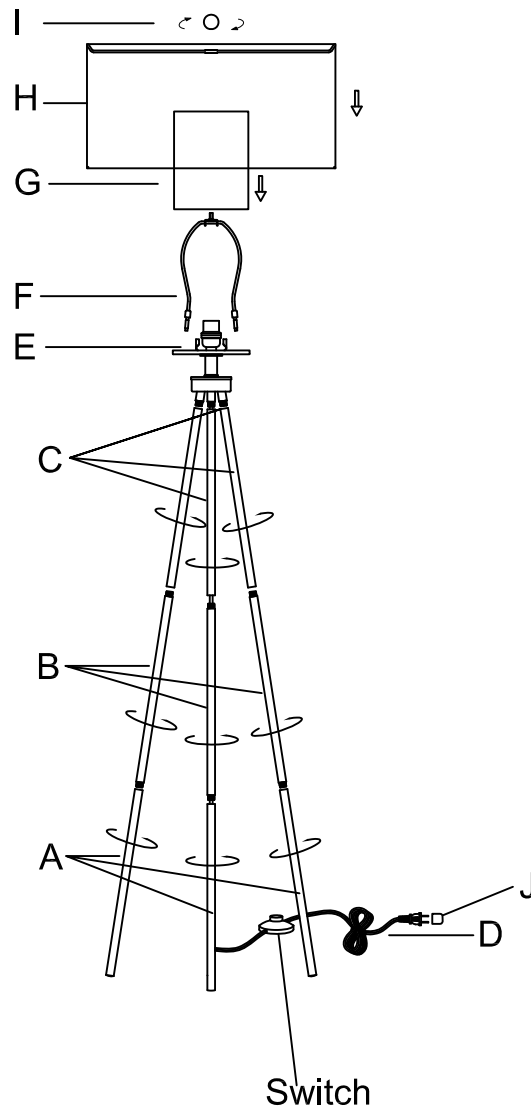
- Do not discard any contents until after assembly is complete to avoid accidentally discarding small parts or hardware.
- Remove all parts and hardware from box along with any plastic protective packaging.

### Parts Enclosed:

Item	Description	QTY
A	Leg 1	3
B	Leg 2	3
C	Leg 3	3
D	Wire	1
E	Socket Assembly	1
F	Harp	1
G	Interior Glass Shade	1
H	Shade	1
I	Finial	1
J	Protective plug cover	1

### To Assemble:

- Step 1. Attach leg 2 (C) to Socket Assembly (E), attach leg 2 (B) to Leg 3 (C), then attach the leg 1 (A) to Leg 2 (B).
- Step 2. Place harp (F) onto Socket assembly (E)
- Step 3. Place Interior glass shade (G) onto Socket assembly (E)
- Step 4. place shade (H) onto harp (F)
- Step 5. Tighten finial (I) and turn clockwise to secure.
- Step 6. Insert bulb (not Included)
- Step 7. Remove protective plug cover (J) from the plug of wire (D)
- Step 8. Plug into proper electrical outlet and test fixture.
- Step 9. Assembly is complete.



### Care Instructions:

- Wipe with soft dry cloth only
- Always avoid the use harsh chemicals or abrasives as they may damage the finish

Thank you for your purchase