

## TAVARUA QUEEN / KING BED - SIDE RAILS

Assembly instructions :

### PART LIST

No.	DESCRIPTION	IMAGE	QTY
P1	HEADBOARD ASSEMBLED		1
P2	SIDE RAILS R		1
P3	SIDE RAILS L		1
P4	RAIL SUPPORT LEG		2
P5	CENTER SUPPORT		1
P6	FOOTBOARD		1
P7	SLAT ASSEMBLY		1
P8	SUPPORT LEG		2

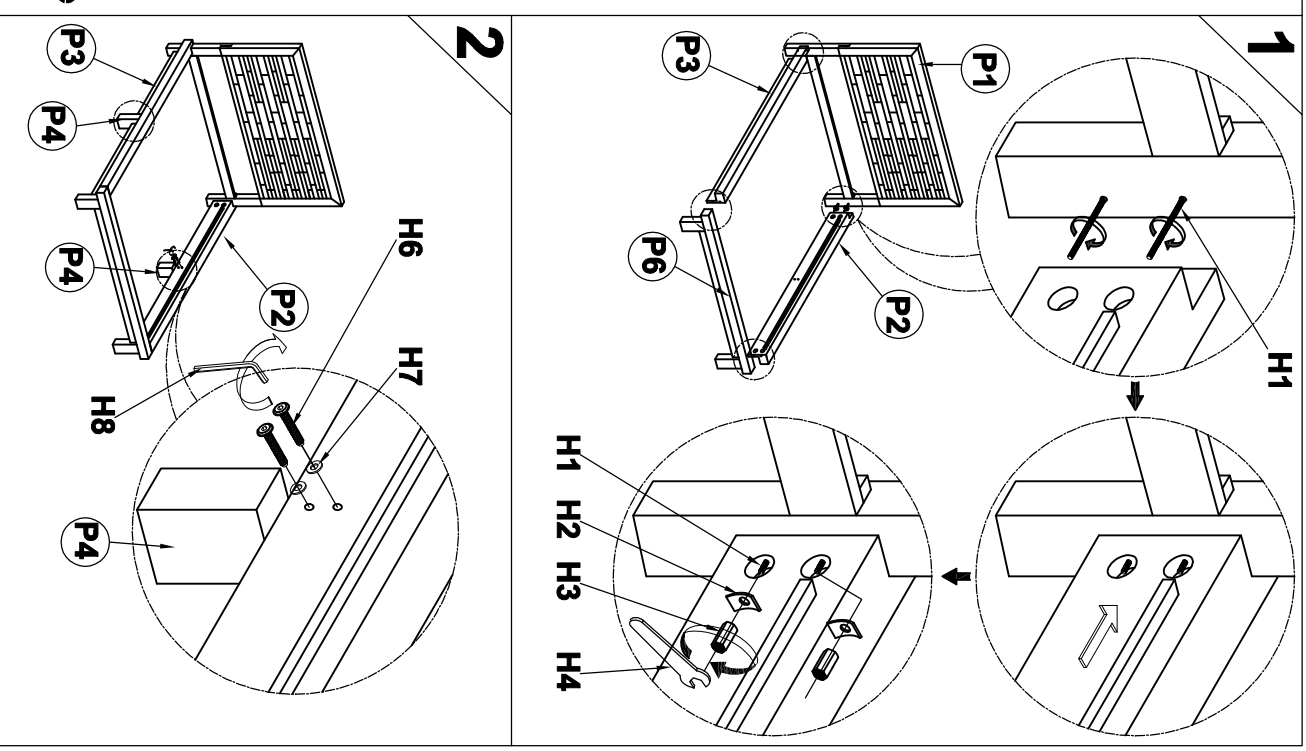
### HARDWARE LIST

No.	DESCRIPTION	IMAGE	QTY
H1	BOLT 80MM		8
H2	CURVE WASHER		8
H3	HEX. NUT		8
H4	HEX. WRENCH		1
H5	SCREW		9
H6	BOLT M6X40		8
H7	FLAT WASHER		4
H8	ALLEN WRENCH		1

TOOLS (NOT INCLUDED)	
	SCREW DRIVER

**NOTE:** PO# is located underneath/ inside of each item. Please be prepared to provide this # should any claim be necessary.

**CAUTION:** Item is heavy assembly should be performed by two people.



**TAVARUA QUEEN / KING BED - SIDE RAILS**

*Assembly instructions :*

