

ASSEMBLY INSTRUCTIONS

Description: Console Table



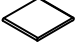
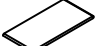


Important safety instructions:

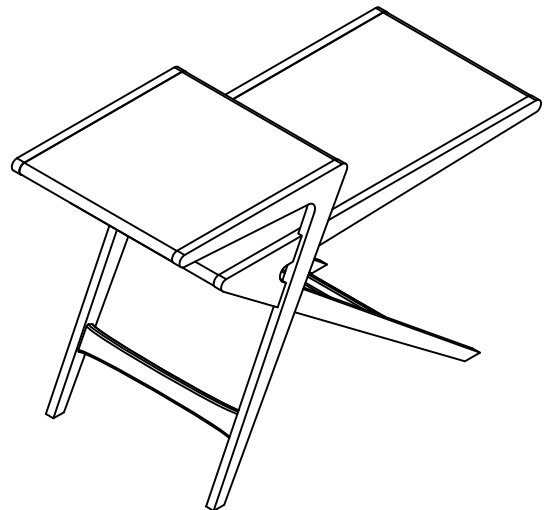
- Please carefully read all instructions before assembling the chair.
- For your safety and ease, assembly by two or more adults is recommended.
- Keep instructions for future use.

Pre-assembly:






- Do not discard any contents until after assembly is complete to avoid accidentally discarding small parts or hardware.
- Remove all parts and hardware from box along with any plastic protective packaging.

Parts List

Item	Description		QTY
A	Left Side Frame		1
B	Right Side Frame		1
C	Short Top Panel		1
D	Long Top Panel		1
E	Short Stretcher		1
F	Long Stretcher		1

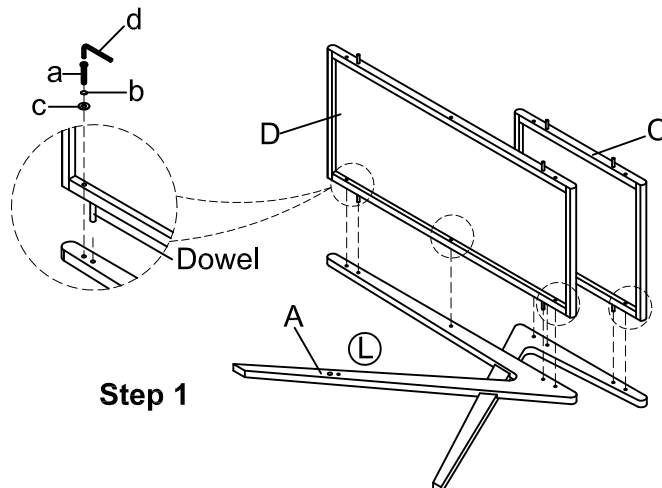


Hardware List

Item	Description		QTY
a	Bolt	Ø1/4"x1-3/4"	 14
b	Lock Washer	1/4"	 14
c	Flat Washer	1/4"	 14
d	Allen Wrench	1/4"	 1
e	Wooden Plug		 4

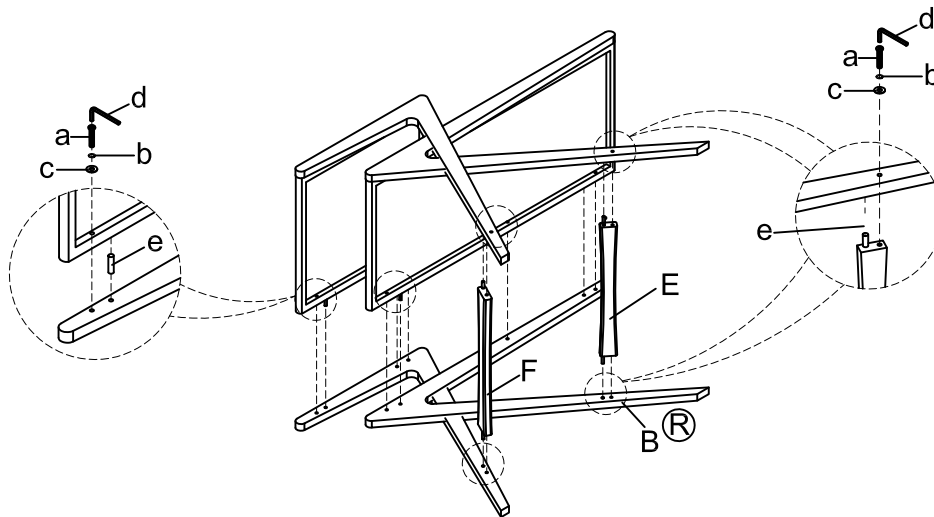
Assembly Procedures:

Step 1. Assemble the table on a flat, soft surface such as a carpet or cloth to prevent scratching the finish. Attach the table tops (C & D) to the left leg (A) according to the label "L" on the inside of left leg and the end of table top using bolts (a), lock washers (b) and flat washers (c). Loosely tighten by Allen wrench (d).



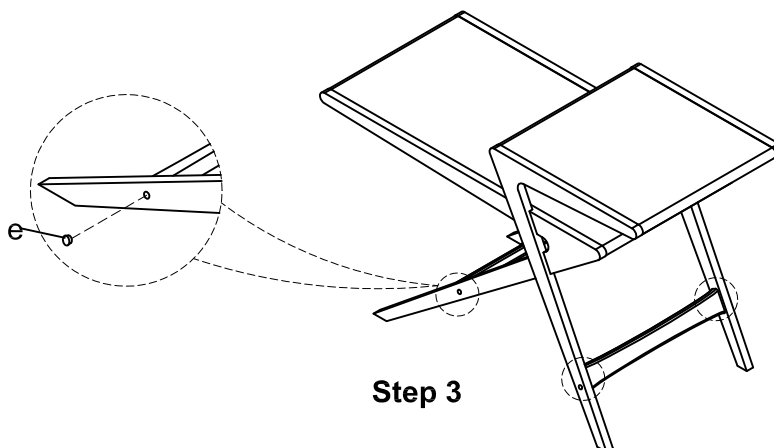
Step 1

Step 2. Insert the two stretchers (E & F) between the inside of two legs (A & B). Then attach the table tops (C & D) to the right leg (B) according to the label "L" on the inside of left leg and the end of table top using bolts (a), lock washers (b) and flat washers (c). Connect the two stretchers (E & F) to the leg frames (A & B) using bolts (a), lock washers (b) and flats (c). Loosely tighten by Allen wrench (d).



Step 2

Step 3. Turn the assembled table to a upright position. Securely tighten all bolts by Allen wrench (d), but do not over tighten the bolts. Then attach wooden plugs (e) to each visible bolt hole, tighten with Rubber hammer to knock the wooden plug till its tighten. Note: use a soft cloth between the wooden plug and hammer to prevent damage to wooden plug finish.



Step 3

Step 4. Assembly are complete. Failure to follow these instructions may cause the bolts to misalign during assembly.

Thank you for you purchase