



# ASSEMBLY INSTRUCTIONS

Description: Wine Console

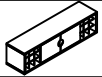

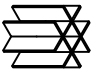
### Important safety instructions:

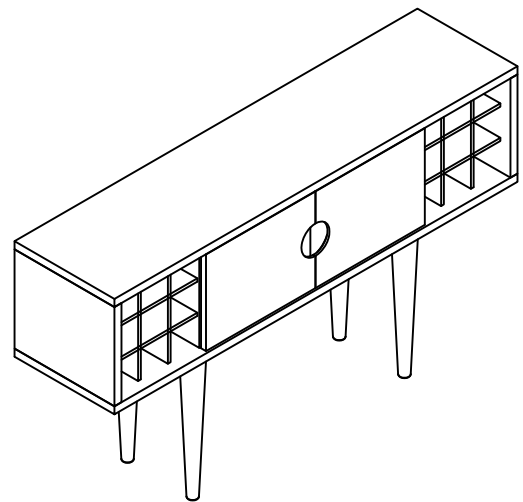
- Please carefully read all instructions before assembling the chair.
- For your safety and ease, assembly by two or more adults is recommended.
- Keep instructions for future use.

### Pre-assembly:



- Do not discard any contents until after assembly is complete to avoid accidentally discarding small parts or hardware.
- Remove all parts and hardware from box along with any plastic protective packaging.

### Parts List

Item	Description	QTY
A	Cabinet 	1
B	Legs 	4
C	Wine racks 	2

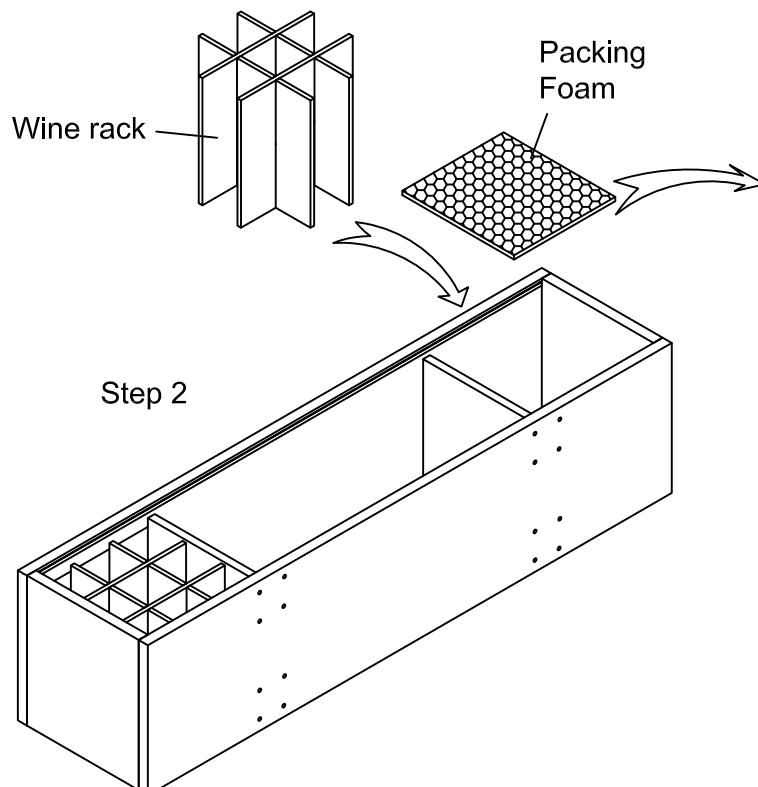


### Hardware List

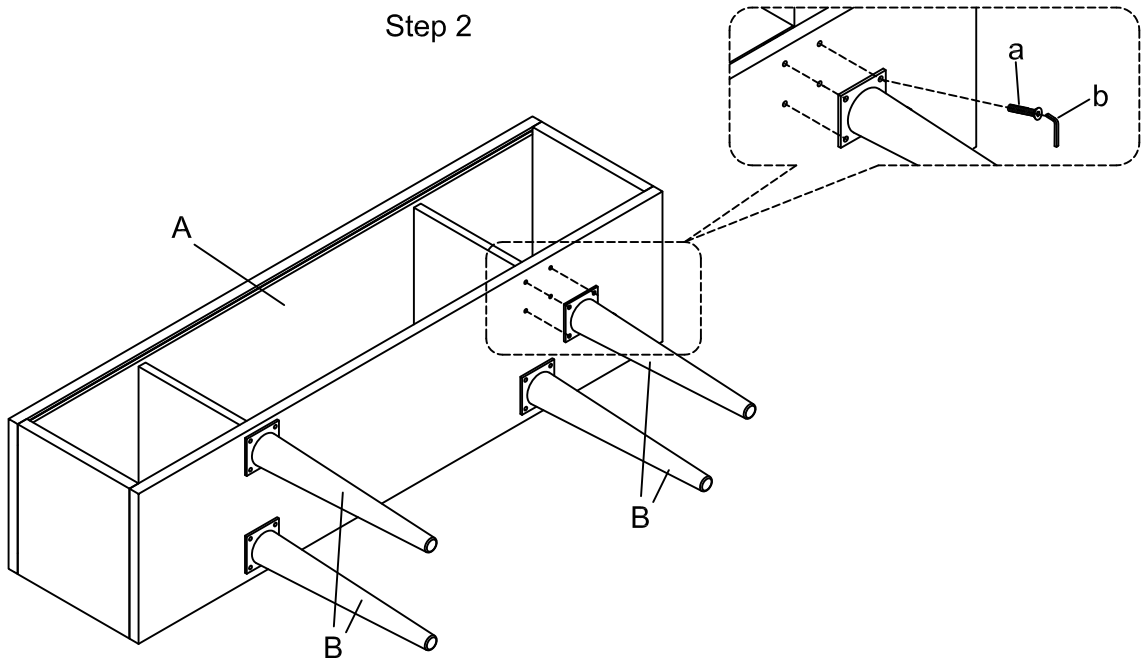
Item	Description	QTY
a	Bolt $\varnothing 1/4$ "x1-3/4" 	16
b	Allen Wrench 1/4" 	1

### Assembly Procedures:

Step 1. Lay down the cabinet back on a flat, soft surface such as a carpet or cloth to prevent scratching the finish. Move out the removable wine rack from the cabinet, then take off the packing foam from inside of cabinet.



Step 2. Attach the legs (B) to the bottom of cabinet (A) using bolts (a). Loosely tighten by Allen wrench (b).

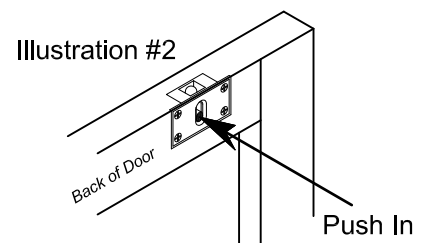
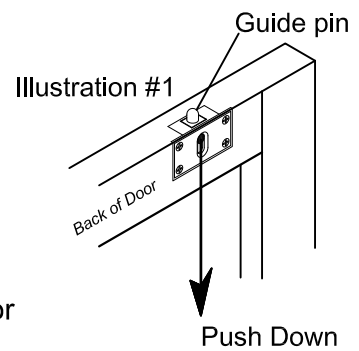
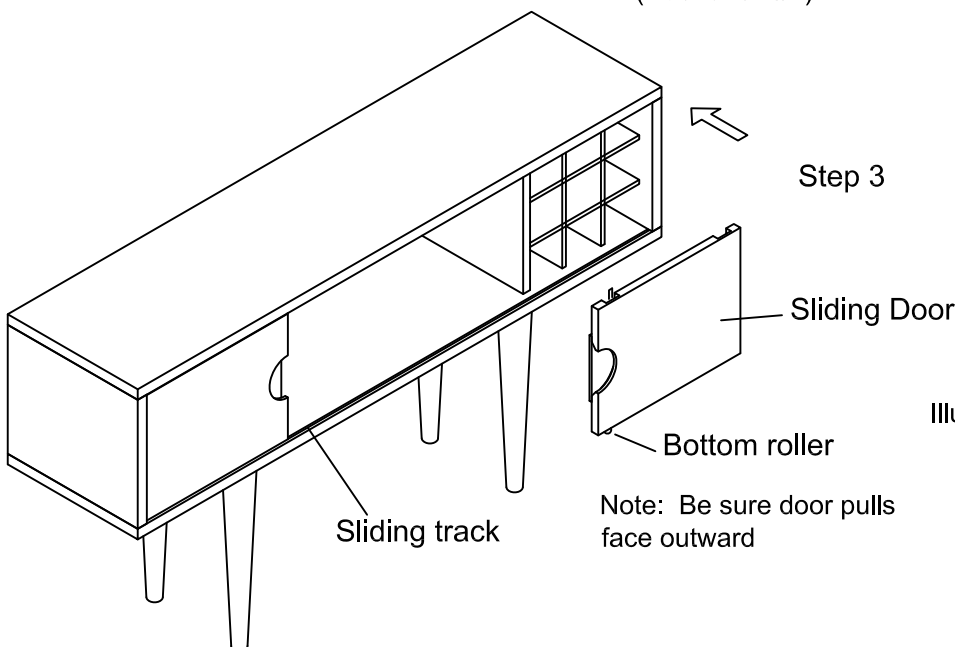


**Step 3.**

- 1) Securely tighten all bolts, but do not over tighten. Turn the assembled console to a upright position.
- 2) Put back the wine rack into the cabinet.

**3) Install the doors.**

a. In order to install the sliding doors the top guide pins must be locked in the fully retracted position. If they are not already, push them down until they click lock. (Illustration #1).



b. Place the rear door bottom rollers in the back bottom track. Pivot the top of the door to align the top guide pins with the back upper track on the console. Push the button on the back of the top guide pins to release the lock allowing the pins to pop into the top guide track. (Illustration#2) Repeat with the other door in the front set of tracks.

Step 4. Assembly are complete.

Thank you for you purchase