

## LANCASTER DINING / GATHERING TABLE

Assembly instructions:

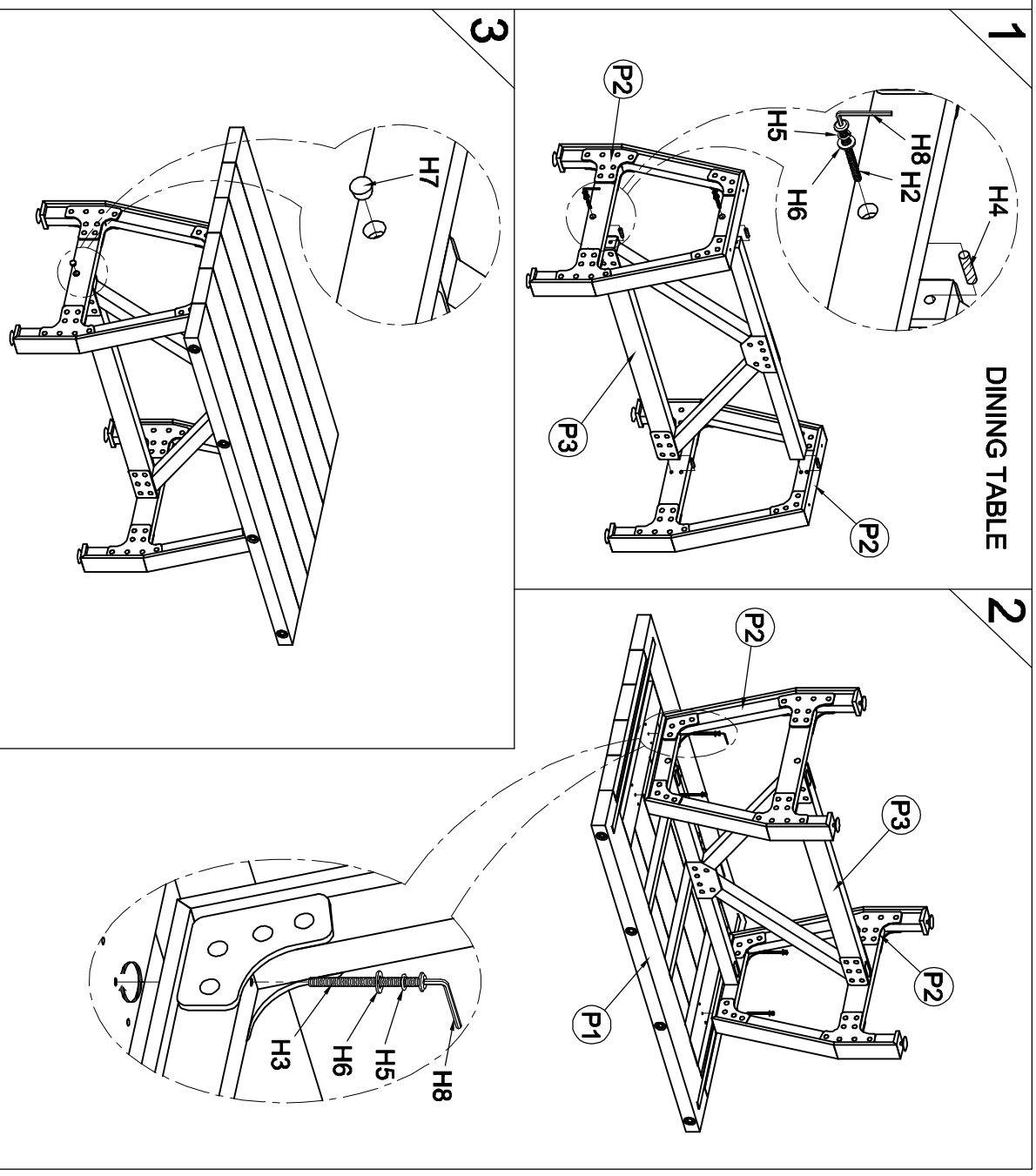
PARTS LIST			
No.	DESCRIPTION	IMAGE	QTY
P1	TABLE TOP		1
P2	LEG FRAME		2
P3	STRETCHER FRAME		1
P4	GATHERING CONNECTOR		2

HARDWARE LIST			
No.	DESCRIPTION	IMAGE	QTY
H1	BOLT (Ø8X30 MM)		8
H2	BOLT (Ø8X50 MM)		4
H3	BOLT (Ø8X90 MM)		4
H4	WOODEN DOWELS		4
H5	SPRING WASHER		16
H6	FLAT WASHER		16
H7	WOOD PLUG		4
H8	ALLEN KEY		1

**NOTE:** PO# is located underneath/ inside of each item. Please be prepared to provide this # should any claim be necessary.

**CAUTION:** Item is heavy assembly should be performed by two people.

Estimate Assembly time : 4.5 minutes

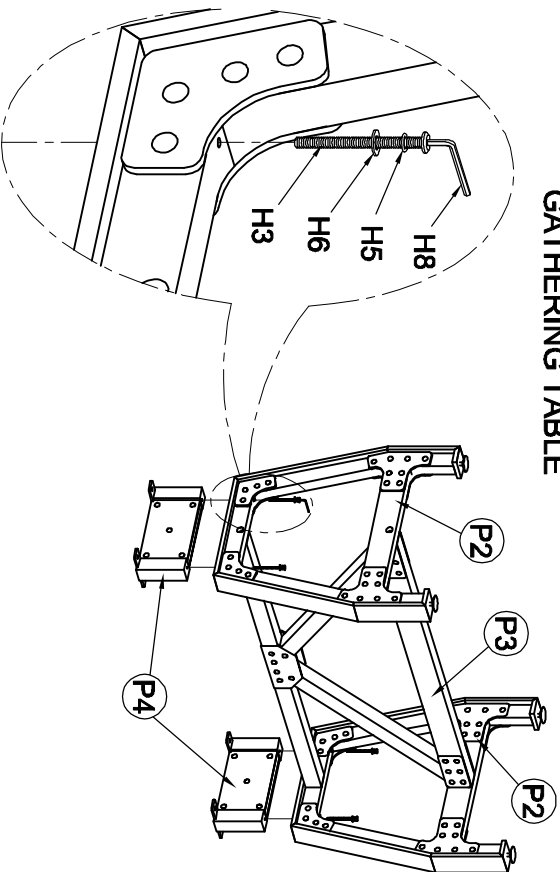


**LANCASTER DINING / GATHERING TABLE**

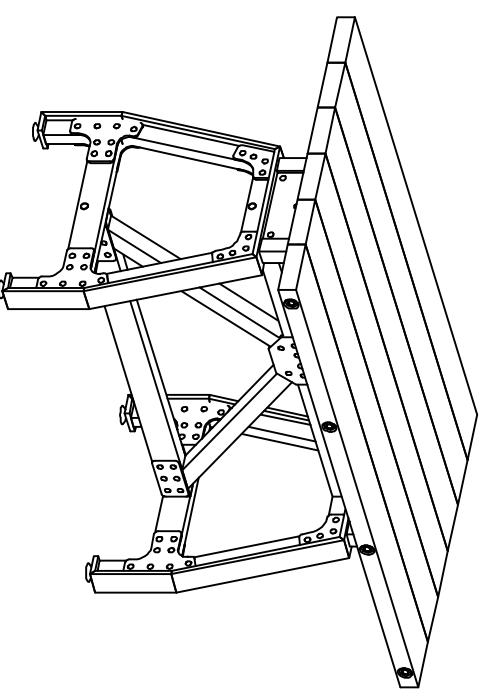
*Assembly instructions:*

**4**

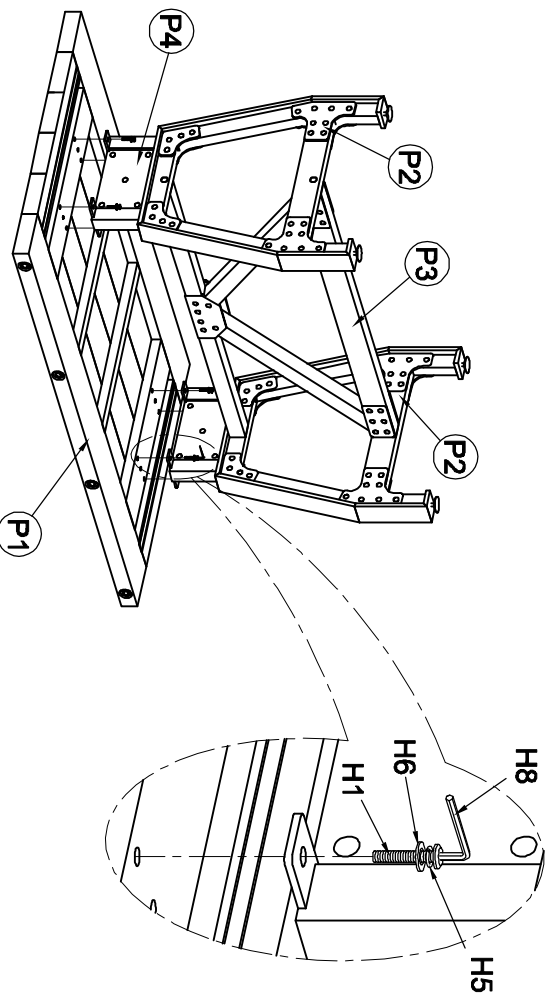
**GATHERING TABLE**



**6**



**5**



**ASSEMBLY COMPLETED**